



Celebrating 45 Years of Innovation and Design

In 1978, Richard Arakelian, a skilled fitter and turner, foresaw a critical need in Australia for high-quality tow balls. This foresight marked the inception of a journey marked by relentless innovation and design that spans over four and a half decades, propelling Ark Corporation to the forefront of the industry. Today, we proudly stand as leaders in trailer parts, towing solutions, and cutting-edge power products.

Our extensive inventory features over 900 distinct trailer parts and accessories, ranging from the rugged XO Series, designed to withstand the harshest conditions, to groundbreaking power systems like the ArkPak and PDH. It's no surprise that Ark has earned its place as a trusted name in the world of caravans, campers, and trailers.

Headquartered in Sydney, our company is home to a team of individuals who live and breathe the outdoor lifestyle, encompassing activities such as camping, 4WDing, hunting, fishing, and boating. This shared passion fuels our commitment to continually grow and refine our product range. Our aim is to provide solutions that endure the test of time and excel in the demanding Australian environment, simplifying the lives of those embarking on their adventures across this vast land.

The Ark Difference:

True Innovators: At Ark, innovation is ingrained in our DNA.

Inspired by Nature: We harness our love for the outdoors to fuel our innovation.

Unyielding Commitment: We shun conformity, never imitate, and always aspire to evolve and enhance.

Australia's Own: Ark proudly operates as a 100% Australian-owned and operated entity.

We comprehend the diverse challenges posed by the Australian landscape while camping, caravanning, boating, and 4WDing. It is this understanding that guides our product development, ensuring our offerings are tailored to meet your unique needs.

Ark was born from a simple but powerful desire for products and quality that were conspicuously absent in the market. Our 45 years of unwavering commitment to excellence have taught us that the pursuit of improvement leads to remarkable destinations, ultimately propelling Australians further in smarter and more efficient ways.

There's no greater joy than venturing into the great outdoors and exploring all that Australia has to offer. For those with a deep love for the Australian wilderness, it's evident that nature can be as unforgiving as it is captivating, underscoring the paramount importance of quality in our products. At Ark Corporation, quality is not just a standard; it's our way of life.

TOWING GEAR
pages 1 - 14

TRAILER PARTS
pages 15 - 134

POWER
pages 135 - 147





XO-Tech - PDH
Page 137 - 138



ArkPak - DC20
Page 139 - 140



Smart Connector
Page 27 - 28



XO Series - Jockey Wheels
Page 49 - 50



XO Series - Foot Plate
Page 50



XO Series - Tube Mount
Page 51



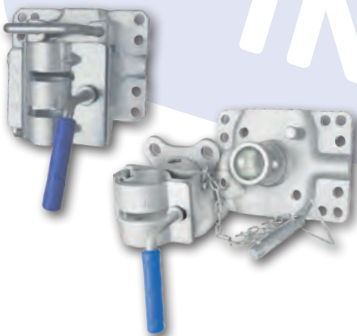
Ratchet Jockey Wheel Accessories
Page 56



Dual Wheel Premium
Page 57



Jockey Stands
Page 61



Adjustable Swivel Clamps
Page 65 - 66



Tube Mount Clamps
Page 66



XO Series - Corner Jacks
Page 67



Trailer Accessory Chain 3mm
Page 83



Ratchet Park Brake
Page 85



Premium Mechanical Caliper
Page 90

RELEASED / **NEW PRODUCTS**

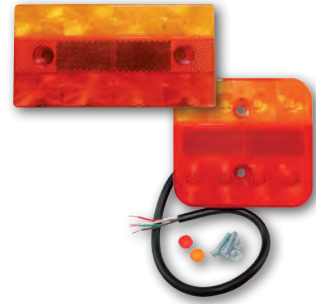
INNOVATION, N



Ratchet Straps
Page 9



Rubber Safety Tread
Page 9



Multivolt Slimline Lamps
Page 36



Centre Mount Jockey Wheel & Stand **XO Series - Black Accessories**

Page 52



XO Series - Replacement Parts

Page 53



Page 54



Parking Stands
Page 62



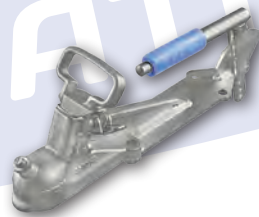
New 8" Replacement Wheel
Page 63



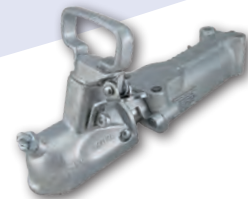
Premium Replacement Handle
Page 64



Black Corner Steadies
Page 68



3.5T Ratchet Park Brake Coupling
Page 79



2.5T Over-ride Coupling
Page 79



XO Series Electric Brakes 10" & 12"
Page 91



Double Wobble Roller Bracket
Page 133



Motor Support Brackets
Page 134

NOT IMITATION

RELEASED / NEW PRODUCTS

TOWING GEAR	
BOW SHACKLES	13
DEE SHACKLES	13
DEE SHACKLES (RATED)	13
ELECTRIC BREAK-AWAY KIT	11
ELECTRO-HYDRAULIC ACTUATOR	12
HITCH CARGO CARRIER	10
HITCH MOUNTING BRACKETS	14
HITCH PIN & LOCKS	8
HITCH RECEIVER BRACKET & SHACKLE	14
HITCH RECEIVER COVERS	7
RATCHET STRAPS	9
RUBBER SAFETY TREAD	9
SCREWS (Self-Drilling)	13
SHIN PROTECTORS	7
SNATCH BLOCK	14
TOW BALL COVERS	4
TOW BALLS	3
TOWBALL MOUNTS	6
TOWBALL MULTI-SPANNER	9
TOWING KITS	5

TRAILER PARTS	
AXLE DROP PLATES	117
AXLE NUTS, WASHERS & SPLIT PINS	118
AXLE PADS	117
AXLES - CUSTOMISED	113
AXLES - STRAIGHT BEAM (39mm)	114
AXLES - STRAIGHT BEAM (40mm)	114
AXLES - STRAIGHT BEAM (45mm)	115
AXLES - STRAIGHT BEAM (50mm)	116
AXLES - STUB	116
BEARING, SEALS & DUST COVERS	101
BOAT MOTOR SUPPORT	134
BOAT MOTOR SUPPORT BRACKETS	134
BOAT ROLLER ASSEMBLIES - RUBBER	131
BOAT ROLLER BRACKETS - FLAT	132
BOAT ROLLER BRACKETS - SINGLE STEM	132
BOAT ROLLER BRACKETS - TWIN STEM	132
BOAT ROLLER SPINDLES	132
BOAT ROLLER WASHERS & SPLIT PINS	72
BOAT ROLLERS - NYLON HARD	130
BOAT ROLLERS - POLYURETHANE SOFT	130
BOAT ROLLERS - POLYURETHANE WOBBLE	130
BOAT ROLLERS - RUBBER	131
BOAT WINCHES	69
BOAT WINCHES - REPLACEMENT PARTS	71
BOAT WOBBLE ROLLER ASSEMBLIES - BLACK POLY	131
BRACKET & YOKE STEM RECEIVERS	134
BRACKET & YOKE STEM RECEIVERS - TUBE SIDE ADJUSTERS	134
BRAKE ACCESSORIES	87
BRAKE CALIPERS - MOUNTING PLATES	90
CABLE TIES	47
CABLES - ELECTRICAL (2 CORE)	45
CABLES - ELECTRICAL (5 CORE)	46
CABLES - ELECTRICAL (7 CORE)	45
CORNER STEADIES - DROP DOWN	68
CORNER STEADIES - WIND DOWN	68
CORNER STEADIES - WINDING HANDLE	68

COUPLING SECURITY LOCKS	76
DISC BRAKE KIT (MECHANICAL)	103
DOUBLE WOBBLE ROLLER BRACKETS	133
DRUM BRAKE KIT (ELECTRIC)	104
DRUM BRAKE KIT (HYDRAULIC)	104
DRUM BRAKE KIT (MECHANICAL)	104
DRUM BRAKES & ACCESSORIES (ELECTRIC)	92
DRUM BRAKES & ACCESSORIES (ELECTRIC) - XO SERIES	91
DRUM BRAKES & ACCESSORIES (HYDRAULIC)	92
DRUM BRAKES & ACCESSORIES (MECHANICAL)	92
ECU POWER 12 HARNESS (12 Pin Flat)	25
ECU UNIVERSAL HARNESS KIT	26
ELECTRICAL TAPE	47
EYE POST STEM	133
EZI-CONNECT - TRAILER HARNESS	29
EZI-CONNECT BOAT TRAILER HARNESS	31
EZI-FOLD - BOAT TRAILER DRAWBAR HINGE	75
EZI-GUIDE - BOAT LOADING SYSTEM	73
FISH PLATES	117
GAS BOTTLE HOLDERS	110
GLD SERIES LED	35
HAMMERLOCK SHACKLES	82
HUB DRUM BRAKE PLATES	94
HUB DRUMS 10" - Plain Finish (Parallel Bearings)	100
HUB DRUMS 10" - Plain Finish (Tapered Bearings)	100
HUB DRUMS 12" - Plain Finish	100
HUB DRUMS 9" - Plain Finish	100
HYDRAULIC BRAKE LINE KIT	88
HYDRAULIC TIPPER KIT	111
HYDRAULIC TIPPER KIT - Replacement Parts	111
INTERCHANGEABLE TRAILER BOARDS	33
JERRY CAN HOLDERS	110
JOCKEY STANDS - STANDARD	61
JOCKEY STANDS - PARKING STANDS TUBE MOUNT	62
JOCKEY WHEELS - CENTRE A-FRAME MOUNT SERIES	52
JOCKEY WHEELS - RATCHET REPLACEMENT PARTS	56
JOCKEY WHEELS - XO SERIES 350 / 500	50
JOCKEY WHEELS - XO SERIES 350R / 500R RATCHET	55
JOCKEY WHEELS - ECONOMY	57
JOCKEY WHEELS - EZI-MOVER RATCHET	56
JOCKEY WHEELS - HEAVY DUTY	60
JOCKEY WHEELS - MOUNTING U-BOLTS	62
JOCKEY WHEELS - PNEUMATIC	60
JOCKEY WHEELS - PREMIUM	58
JOCKEY WHEELS - PREMIUM DUAL WHEEL	57
JOCKEY WHEELS - REPLACEMENT CLAMPS	65
JOCKEY WHEELS - REPLACEMENT HANDLES	64
JOCKEY WHEELS - REPLACEMENT WHEEL BEARING & AXLE	63
JOCKEY WHEELS - REPLACEMENT WHEELS	63
JOCKEY WHEELS - STANDARD	59
JOCKEY WHEELS - STANDARD BOAT WHEEL ASSEMBLY	57
JOCKEY WHEELS - XO SERIES 750	49
JOCKEY WHEELS - XO SERIES 750 FOOT STAND	50
JOCKEY WHEELS - XO SERIES REPLACEMENT PARTS	53
JOCKEY WHEELS - XO SERIES TUBE MOUNT	51
JOCKEY WHEELS & STANDS - SIDE WIND	61
LAMPS - LED LICENSE PLATE - MULTI-VOLT	42
LAMPS - LED SLIMLINE MARKERS - Multi-Volt	43
LAMPS - LICENSE PLATE	42
LAMPS - MAGNETIC TOW LAMP KIT	36

LD SERIES LED	37
LDU SERIES LED	36
LEAF SPRING BUSHES	126
LEAF SPRING SHACKLE BOLTS	126
LIGHT GLOBES	47
MASTER CYLINDERS & ACCESSORIES	86
MOUNTING BRACKETS (Large Round Socket)	25
MOUNTING BRACKETS (Small Round Socket)	25
MUDGUARDS - Plastic Finish	108
MUDGUARDS - Steel Finish	107
OUTBOARD MOTOR FLUSHERS	75
OUTBOARD MOTOR LOCKS	75
PREMIUM BRAKE CALIPERS & SPARE PARTS	90
REBOUND SPRING HANGERS & SHACKLE PLATES	124
REBOUND SPRING KITS	124
REFLEX REFLECTORS	44
REGISTRATION LABEL HOLDER	102
ROCKER ROLLER PARTS	120
ROCKER ROLLER SUSPENSION KITS	119
SHACKLE LEAF SPRINGS	121
SHACKLE PLATES	122
SHACKLE SPRING HANGERS	122
SINGLE WOBBLE ROLLER BRACKET	133
SKID MOULDS	129
SLD SERIES LED	39
SLIPPER LEAF SPRINGS	125
SLIPPER SPRING HANGERS	126
SMART CONNECTOR	27
SOCKETS - DUAL POWER TRAILER	19
SOCKETS - NITE-LITE (7 Pin Flat)	19
SOCKETS - NITE-LITE (7 Pin Large Round)	22
SOCKETS - STANDARD (12 Pin Flat)	20
SOCKETS - STANDARD (7 Pin Flat)	18
SOCKETS - STANDARD (7 Pin Large Round)	21
SOCKETS - STANDARD (7 Pin Small Round)	23
SPARE WHEEL CARRIERS	106
SPARE WHEEL CARRIERS - TRAILER RESCUE KIT	106
STANDARD BRAKE CALIPERS & SPARE PARTS	89
STANDARD TRAILER BOARDS	34
TANDEM ROCKER ARMS	122
TANDEM ROCKER HANGER	122
TANDEM SPRING KITS	123
TERMINALS & CONNECTORS	48
TL SERIES INCANDESCENT	41
TRAILER "T" LOCK	76
TRAILER ACCESSORY CHAIN	83
TRAILER ADAPTORS	25
TRAILER BRAKE MAXIMUM LOAD TABLE	93
TRAILER BUNK BLOCKS	129
TRAILER COUPLINGS - ACCESSORIES	81
TRAILER COUPLINGS - BASE PLATES	83
TRAILER COUPLINGS - BRAKE ARM & PARK BRAKE	85
TRAILER COUPLINGS - MOUNTING BOLTS	82
TRAILER COUPLINGS - OVER-RIDE (50mm)	79
TRAILER COUPLINGS - XO SERIES	77
TRAILER COUPLINGS - XO SERIES - ACCESSORIES	78
TRAILER COUPLINGS - XO SERIES - BASE PLATE	84
TRAILER COUPLINGS (50mm)	79
TRAILER COUPLINGS (50mm)	80

TRAILER COUPLINGS (70mm)	80
TRAILER DISC BRAKE HUB - VELOX - Galvanised Finish	99
TRAILER DISC BRAKE HUBS - Galvanised Finish	99
TRAILER DISC BRAKE HUBS - Plain Finish	99
TRAILER GROOVED STRIP	129
TRAILER HUBS - NON-BRAKED - Galvanised Finish	98
TRAILER HUBS - NON-BRAKED - Plain Finish	98
TRAILER HUBS - NON-BRAKED - Plain Finish (Parallel Bearings)	97
TRAILER HUBS - STUDDED BLANKS, NO BEARINGS OR CONES	97
TRAILER HUBS - VENTILATED DISC ROTORS & SPARE PARTS	96
TRAILER PLUG HOLDER (7 Pin Flat)	17
TRAILER PLUGS (12 Pin Flat)	20
TRAILER PLUGS (7 Pin Flat)	17
TRAILER PLUGS (7 Pin Large Round)	21
TRAILER PLUGS (7 Pin Small Round)	23
TRAILER SAFETY CHAINS	82
TRAILER TAILGATE ACCESSORIES	127
TRAILER WHEELS - Alloy Finish	105
TRAILER WHEELS - Galvanised Finish	105
TRAILER WHEELS - Painted Finish	105
U-BOLTS - AXLE	118
U-BOLTS - JOCKEY WHEELS	64
U-BOLTS - MAIN RAIL	72
U-BOLT - SPARE WHEEL	106
U-BOLTS - WINCH BRACKET SUPPORT	72
V-BLOCKS	129
VENTILATED DISC CALIPER MOUNTING PLATES	95
VENTILATED DISC CALIPERS & SPARE PARTS	94
VENTILATED DISC CALIPERS & SPARE PARTS	95
WHEEL BEARING PROTECTORS	102
WHEEL HUBS - Technical Information	97
WHEEL LOCK	76
WHEEL STUDS	103
WINCH POST CAPS	71
WINCHES - 12V	109
WIRE CLIPS	47
WOOD YOKE STEM (Complete with bolt and nut)	133
XO SERIES CORNER STEADIES - DROP DOWN JACK	67
WOOD YOKE STEM (Complete with bolt and nut)	133
XO SERIES CORNER STEADIES - DROP DOWN JACK	

POWER

ARKPAK 730	142
ARKPAK 730P	141
ARKPAK 730P / 730- ACCESSORIES	142
ARKPAK DC20	139
ARKPAK DC20 ACCESSORIES	140
BATTERY BOXES	147
BATTERY CHARGERS	145
POWER BANKS	144
POWERPACK - ACCESSORIES	144
POWERPACK 3	143
SOLAR PANELS	146
XO-TECH POWER DISTRIBUTION HUB	137

MERCHANDISE & POS

MERCHANDISING & POS MATERIAL	147
------------------------------	-----

PARTS INDEX

PART NUMBERS	148
--------------	-----



SECTION 1 / **TOWING GEAR**

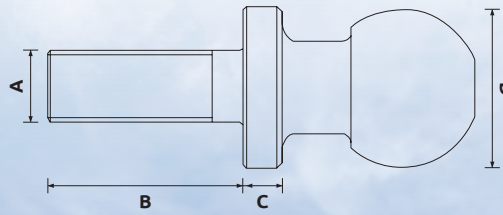
SECTION 1 /
TOWING GEAR



SECTION 1 / **TOWING GEAR**



TOW BALLS



TB35CB
Complies to AS4177.2-2004



TB35C
Complies to AS4177.2-2004



TB3562C
Complies to AS4177.2-2004



TB3562Z
Complies to AS4177.2-2004



TB35BB
Complies to AS4177.2-2004



TBF3562C
(Flat flanges)
Complies to AS4177.2-2004



TB5080C



TB50HR1
TB35HR1



TB501



TB505



TB178C



TB3562CB
Complies to AS4177.2-2004



TB4570



TB670



TB770

PART NO:	FINISH:	PACK TYPE:	TOWING CAPACITY:	"A" SHANK DIAMETER	"B" SHANK LENGTH	"C" SHOULDER HEIGHT	"D" BALL DIAMETER	CARTON QUANTITY:
TB35CB	CHROME	DISPLAY	3500kg	22.225mm (7/8")	51mm	12mm	50mm	20
TB35BB	BLACK	DISPLAY	3500kg	22.225mm (7/8")	51mm	12mm	50mm	20
TB35C	CHROME	BULK	3500kg	22.225mm (7/8")	51mm	12mm	50mm	25
TB3562CB	CHROME	BLISTER	3500kg	22.225mm (7/8")	62mm	12mm	50mm	25
TB3562C	CHROME	BULK	3500kg	22.225mm (7/8")	62mm	12mm	50mm	25
TB3562Z	ZINC	BULK	3500kg	22.225mm (7/8")	62mm	12mm	50mm	25
TBF3562C	CHROME	BULK	3500kg	22.225mm (7/8")	62mm	12mm	50mm	25
TB35HR1	CHROME	BULK	3500kg	25.4mm (1")	65mm	25mm	50mm	15
TB5080C	CHROME	BULK	2500kg	22.225mm (7/8")	80mm	12mm	50mm	25
TB50HR1	CHROME	BULK	2000kg	22.225mm (7/8")	51mm	25mm	50mm	15
TB501	CHROME	BULK	3500kg	25.4mm (1")	65mm	12mm	50mm	25
TB505	CHROME	BULK	3500kg	25.4mm (1")	130mm	12mm	50mm	15
TB178C	CHROME	BULK	2270kg	22.225mm (7/8")	51mm	12mm	47.63mm (17/8")	25
TB4570	CHROME	BULK	4500kg	31.75mm (1 1/4")	95mm	15mm	70mm	4
TB670	CHROME	BULK	6000kg	38.1mm (1 1/2")	95mm	15mm	70mm	4
TB770	CHROME	BULK	7000kg	42mm	95mm	15mm	70mm	4

TOW BALL COVERS



PART NO:	FINISH:	PACK TYPE:	INNER CARTON QUANTITY:	OUTER CARTON QUANTITY:
PCC50D	CHROME	DISPLAY	12	120
PCC50B	CHROME	BLISTER	10	100
Chrome Tow Ball Covers with Spring Clip Suits 50mm and 1 ⁷ / ₈ " tow balls				



PART NO:	FINISH:	PACK TYPE:	INNER CARTON QUANTITY:	OUTER CARTON QUANTITY:
PBC50D	BLACK	DISPLAY	12	120
PBC50B	BLACK	BLISTER	10	100
Plastic Tow Ball Covers with Spring Clip Suits 50mm and 1 ⁷ / ₈ " tow balls				



PART NO:	FINISH:	PACK TYPE:	INNER CARTON QUANTITY:	OUTER CARTON QUANTITY:
PVC50D	BLACK	DISPLAY	12	120
PVC Tow Ball Covers with Spring Clip Suits 50mm and 1 ⁷ / ₈ " tow balls				





TOWING KITS

Towing kit consists of 50mm x 50mm tow ball mount, 50mm chrome tow ball, hitch cover and chrome hitch pin with “R” clip complete with a plastic storage case.



PART NO: PACK TYPE: CARTON QUANTITY:

TK160C	CASE	2
Towing Kit with 160mm Tow Ball Mount		



PART NO: PACK TYPE: CARTON QUANTITY:

TK190C	CASE	2
Towing Kit with 190mm Tow Ball Mount		



PART NO:	FINISH:	PACK TYPE:	INNER CARTON QUANTITY:	OUTER CARTON QUANTITY:
CCB50	CHROME	BLISTER	5	20

3.5 Ton. 50mm Tow Ball & Tow Ball Cover with Spring Clip
 Tow ball shank size 7/8" diameter x 51mm length, towing capacity 3500kg.
 Complies to AS4177.2 - 2004



PART NO:	FINISH:	PACK TYPE:	INNER CARTON QUANTITY:	OUTER CARTON QUANTITY:
BCS50	CHROME	BLISTER	5	10

Complete Tow Kit
 Consists of shin protector, 3.5 Ton. 50mm chrome tow ball and chrome tow ball cover. Tow Ball shank size 7/8" diameter x 51mm length, towing capacity 3500kg.
 Complies to AS4177.2 - 2004

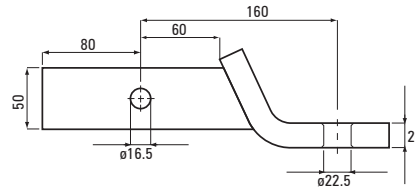
TOWBALL MOUNTS

Ark's range of tow ball mounts suit 50mm x 50mm hitch receivers, have a high quality black powder coat finish, a 3500kg maximum towing capacity** and all comply to AS4177.1-2004.



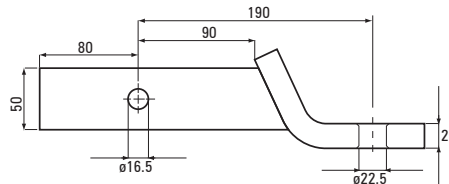
PART NO:	PACK TYPE:	INNER CARTON QUANTITY:	OUTER CARTON QUANTITY:
TBH160	BULK	N/A	4
TBH160D	DISPLAY INC. TOW BALL	1	4

160mm Tow Ball Mount



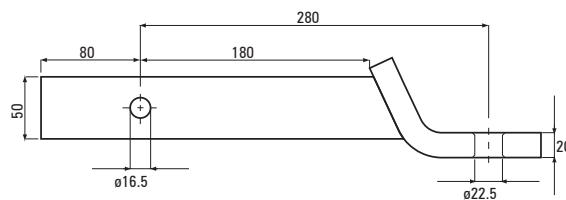
PART NO:	PACK TYPE:	INNER CARTON QUANTITY:	OUTER CARTON QUANTITY:
TBH190	BULK	N/A	4
TBH190D	DISPLAY INC. TOW BALL	1	4

190mm Tow Ball Mount



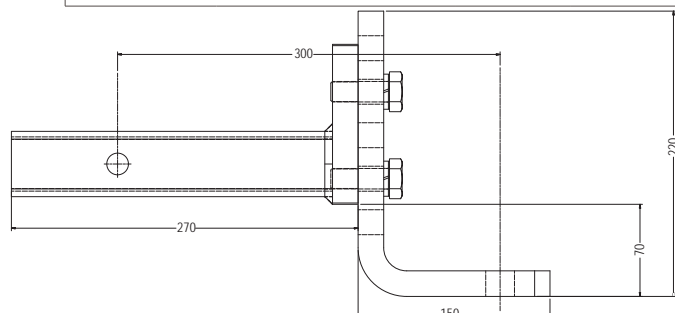
PART NO:	PACK TYPE:	INNER CARTON QUANTITY:	OUTER CARTON QUANTITY:
TBH280	BULK	N/A	4
TBH280D	DISPLAY INC. TOW BALL	1	4

280mm Tow Ball Mount



PART NO:	PACK TYPE:	INNER CARTON QUANTITY:	OUTER CARTON QUANTITY:
TBHA30	BULK	N/A	4
TBHA30D	DISPLAY INC. TOW BALL	1	4

Adjustable Tow Ball Mount
5 Hole adjustable ball mount, 2500kg Maximum towing capacity**



** Towing capacity of Ark Tow Ball Mount may exceed towing capacity of tow bar or vehicle, always refer to the towing capacity of tow bar and vehicle.



SHIN PROTECTORS



Unique design allows ball cover to be secured while towing.

PART NO:	PACK TYPE:	INNER CARTON QUANTITY:	OUTER CARTON QUANTITY:
SPC50D	DISPLAY	6	48

Shin Protector with Ball Cover
2 in 1 Shin Protector with Ball cover. Suits 50mm and 1⁷/₈" towballs.



PART NO:	PACK TYPE:
SPC50P	BULK

Shin Protector with Ball Cover
Can be personalised with company name or logo. MOQ 500 pieces.



DID YOU KNOW?
Ark Corporation first invented the shin protector registering the design back in March of 1995. Innovation of it's time that's still used to this day!



PART NO:	PACK TYPE:	INNER CARTON QUANTITY:	OUTER CARTON QUANTITY:
TPB11	BLISTER	25	100
TP11	DISPLAY	18	180

Shin Protector
Made from soft rubber, fits securely over tow bar mount. Black finish.

PART NO:	PACK TYPE:
TP/L	BULK

Personalised Black Shin Protector
Made with your company's name or logo for advertising purposes. MOQ 500 pieces.



HITCH RECEIVER COVERS



DID YOU KNOW?
Ark Corporation first invented the Hitch Cover with lid, filing the patent back in March of 1999.

PART NO:	FINISH:	PACK TYPE:	INNER CARTON QUANTITY:	OUTER CARTON QUANTITY:
HC80	BLACK	BULK	N/A	100
HCC80	CHROME	BULK	N/A	100
HCC80B	CHROME	BLISTER	10	100

Hitch Receiver Cover
Fastens permanently over all 50mm hitches, designed with a lid for convenience.



PART NO:	FINISH:	PACK TYPE:	INNER CARTON QUANTITY:	OUTER CARTON QUANTITY:
HC50B	BLACK	BLISTER	N/A	20
HCC50B	CHROME	BLISTER	N/A	20

Hitch Reciever Cover
Hitch cover suits 50mm x 50mm hitches, quick clip-on design. Mounts with or without hitch pin.

PART NO:	PACK TYPE:
HC50/L	BULK

Personalised Hitch Cover
Can be personalised with company name or logo. MOQ 500 pieces.

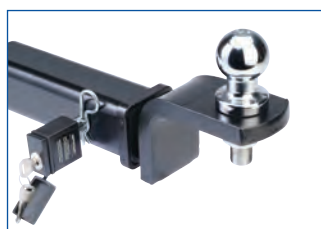


HITCH PIN & LOCKS



PART NO:	FINISH:	PACK TYPE:	INNER CARTON QUANTITY:	OUTER CARTON QUANTITY:
PL80	CHROME	BULK	10	40
PL80B	CHROME	BLISTER	10	40

Hitch Pin Lock. Slim Line Design.
Dual purpose, can be used with or without lock, suits 2"x 2" class 4 receiver from 65mm to 80mm, comes with spring clip for extra protection. Towing rating 3500kg.



PART NO:	FINISH:	PACK TYPE:	INNER CARTON QUANTITY:	OUTER CARTON QUANTITY:
PLS80	CHROME	BULK	10	40
PLS80B	CHROME	BLISTER	10	40

Hitch Pin Lock. Square Lock Design.
Dual purpose, can be used with or without lock, suits 2"x 2" class 4 receiver from 65mm to 80mm, comes with spring clip for extra protection. Towing rating 3500kg.



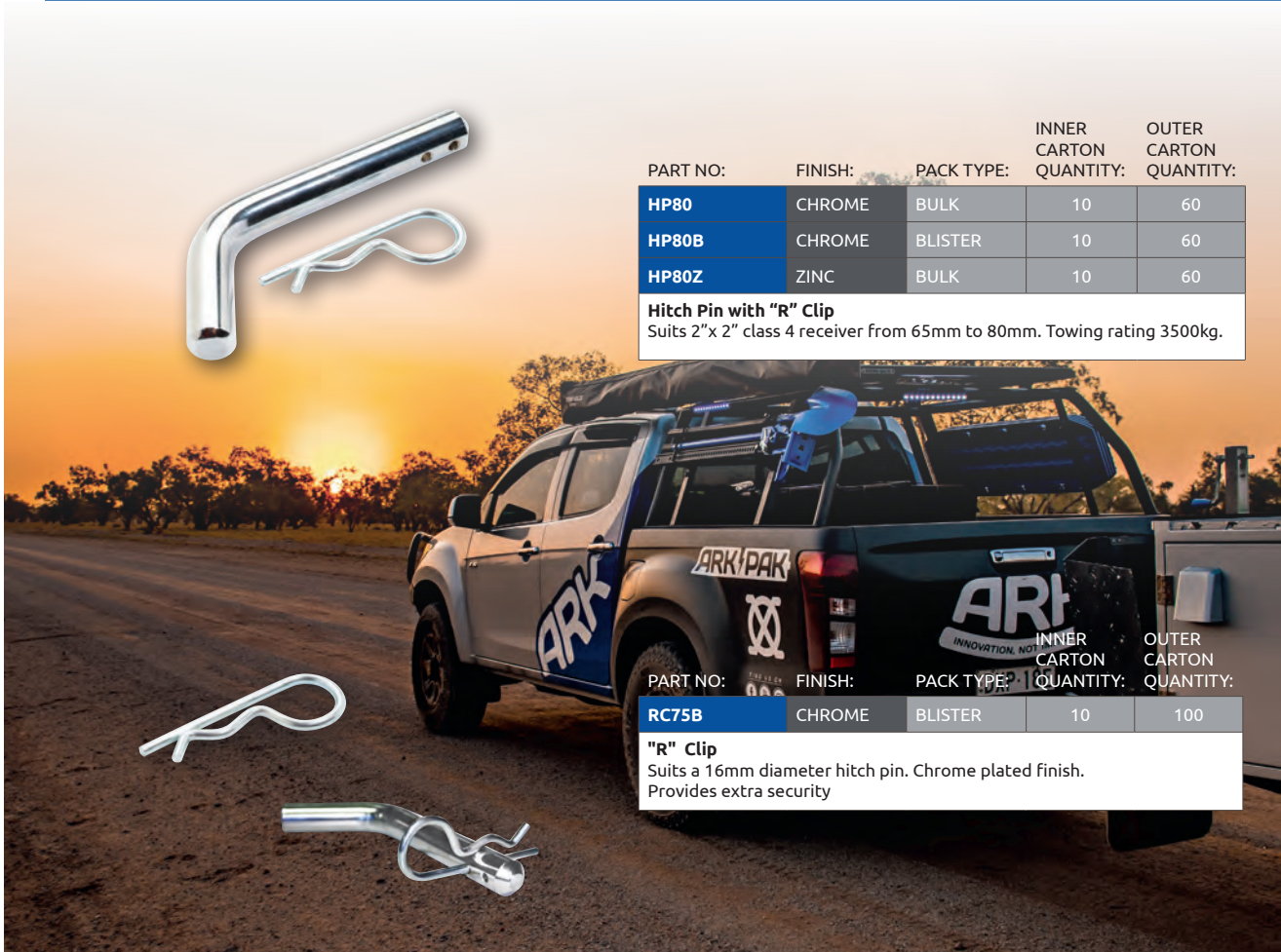
PART NO:	FINISH:	PACK TYPE:	INNER CARTON QUANTITY:	OUTER CARTON QUANTITY:
HP80	CHROME	BULK	10	60
HP80B	CHROME	BLISTER	10	60
HP80Z	ZINC	BULK	10	60

Hitch Pin with "R" Clip
Suits 2"x 2" class 4 receiver from 65mm to 80mm. Towing rating 3500kg.



PART NO:	FINISH:	PACK TYPE:	INNER CARTON QUANTITY:	OUTER CARTON QUANTITY:
RC75B	CHROME	BLISTER	10	100

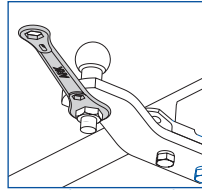
"R" Clip
Suits a 16mm diameter hitch pin. Chrome plated finish. Provides extra security



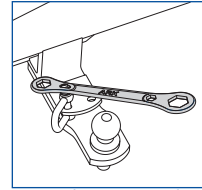


TOWBALL MULTI-SPANNER

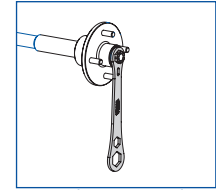
3 IN 1



Tightening and removing tow ball



Tightening and removing "D" shackle



Tightening and removing 3/4" axle nut

PART NO:	FINISH:	PACK TYPE:	INNER CARTON QUANTITY:	OUTER CARTON QUANTITY:
TBS41B	CHROME	BLISTER	10	20

3-in-1 Towing Multi-Spanner Tool
Comfort grip

RATCHET TIE DOWN STRAPS



NEW PRODUCT

PART NO:	WIDTH:	LENGTH:	HOOK TYPE:	BREAKING STRENGTH:	LASHING CAPACITY:	PACK TYPE:	INNER CARTON QUANTITY:	OUTER CARTON QUANTITY:
RTD2535B	25MM	3.6M	S - HOOK	680KGS	225KGS	BLISTER - SET OF 2	6	12
RTD5080B	50MM	8.2M	J - HOOK	4545KGS	1515KGS	BLISTER - SINGLE	3	6

Ratchet Tie Down Straps
Blue webbing and zinc finish on metal components. Complies with AS/NZS4380



NEW PRODUCT

PART NO:	WIDTH:	LENGTH:	HOOK TYPE:	BREAKING STRENGTH:	LASHING CAPACITY:	PACK TYPE:	INNER CARTON QUANTITY:	OUTER CARTON QUANTITY:
RTDS2535B	25MM	3.6M	J - HOOK	500KGS	165KGS	BLISTER - SET OF 2	6	12
RTDS4080B	40MM	8M	J - HOOK	1500KGS	500KGS	BLISTER - SINGLE	6	12

Ratchet Tie Down Straps
Blue webbing and stainless steel metal components. Complies with AS/NZS4380

RUBBER SAFETY TREAD



NEW PRODUCT

PART NO:	FINISH:	PACK TYPE:	INNER CARTON QUANTITY:	OUTER CARTON QUANTITY:
RST1045B	RUBBER	BLISTER - SET OF 2	25	50

Rubber Safety Tread
10 x 45cm self adhesive rubber tread

HITCH CARGO CARRIER

HITCH CARGO CARRIER

Expand your vehicle's cargo space effortlessly with Ark's Hitch-Mounted Aluminium Cargo Carrier. This versatile platform provides convenient extra storage for a wide range of activities, including camping trips, work materials transportation, outdoor excursions, sporting events, moving, and much more. Constructed from ultra-lightweight aluminum and steel, the Cargo Carrier offers a perfect balance of strength and durability while remaining easy to handle and install.

Key Features:

Convenient Extra Storage: Increase your vehicle's cargo capacity for various purposes, making it ideal for outdoor adventures, work, and leisure.

Lightweight Design: Constructed from high-quality aluminum and steel, this cargo carrier is both lightweight and sturdy, ensuring ease of use and long-lasting durability.

Complete Kit: The package includes everything you need to get started, ensuring a hassle-free installation process.

The complete kit comprises the following components:

- **ADR Approved LED Rear Combination Lamps:** Enhanced safety with ADR approved LED rear combination lamps. These high-quality lights ensure visibility and compliance with regulations.
- **1.8 Meters of Cable:** Included cable for easy connection of the LED lamps to your vehicle's electrical system.
- **7 Pin Flat Trailer Plug:** Designed for compatibility with most vehicles, this 7-pin flat trailer plug simplifies electrical connections.
- **Hitch Pin & "R" Clip:** Securely attach the cargo carrier to your vehicle's hitch with the included hitch pin and "R" clip, providing peace of mind during transportation.

Caution - Cargo carrier capacity may exceed towbar downward weight capacity.

Always refer to the lesser value for maximum carrying capacity. "Bike Rack" and "Rear overhang" Laws apply. Check with your local Roads and Transport authorities.



PART NO:	FINISH:	PACK TYPE:	CARTON QUANTITY:
HCC125D	ALUMINIUM	DISPLAY CARTON	1
Hitch Mounted Cargo Carrier			
Carrier mounts to any vehicle fitted with a 50mm x 50mm hitch receiver.			
Platform dimensions 120cm x 50cm.			
Net weight: 9kg / Weight capacity: 225kg			





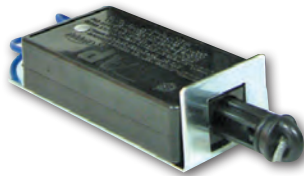
ELECTRIC BREAK-AWAY KIT



PART NO:	PACK TYPE:	INNER CARTON QUANTITY:	OUTER CARTON QUANTITY:
----------	------------	------------------------	------------------------

EBK24	BULK	1	6
--------------	------	---	---

Break-Away System
 Suitable for 2 and 4 wheel brake systems, break-away system acts as both a battery tester and battery charging system which is built to bring trailers safely to a stop should a trailer be disconnected while driving.



PART NO:	PACK TYPE:	INNER CARTON QUANTITY:	OUTER CARTON QUANTITY:
----------	------------	------------------------	------------------------

EBS24B	BLISTER	10	50
---------------	---------	----	----

Electric Break-away Switch



ELECTRO-HYDRAULIC ACTUATOR

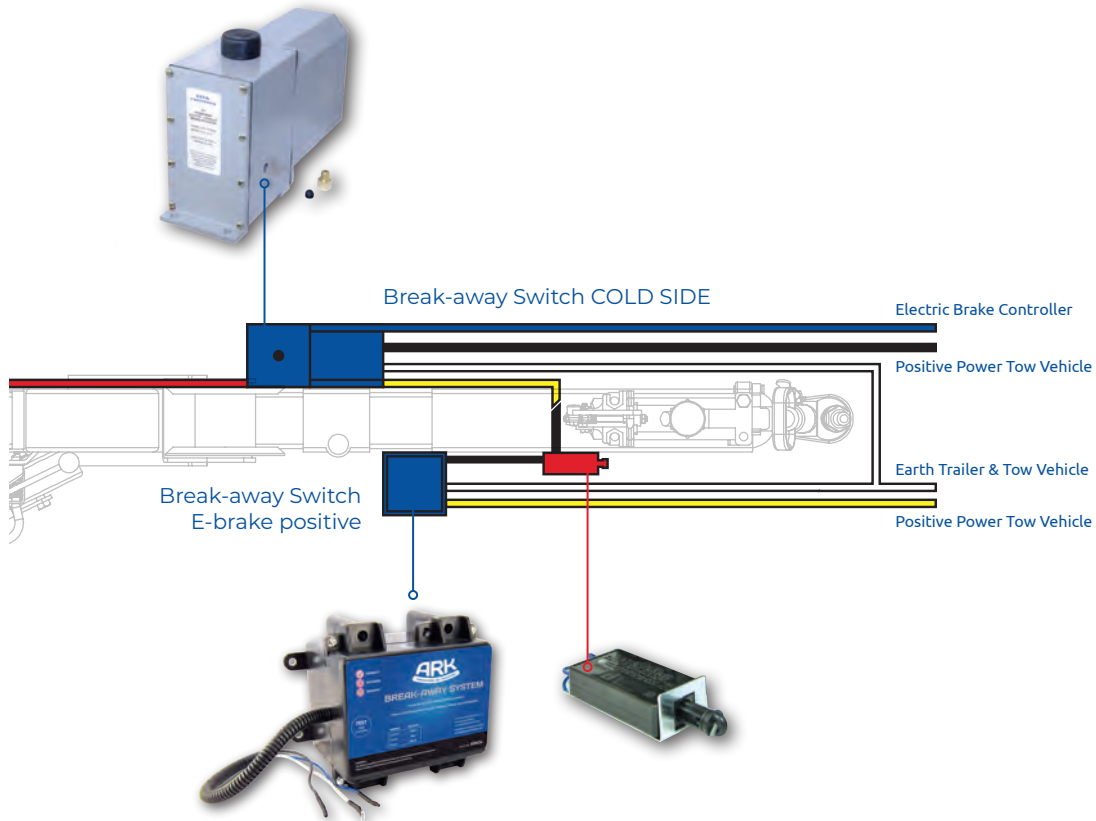
Ark's Electro-Hydraulic Actuator offers better braking performance than over-ride brakes and allows full braking control through the tow vehicles in cab controller. It's compact and advanced design meets and exceeds the ADR for "Emergency Brake Systems" with the use of a standard 5Ah break-away battery and allows for legal fitment of hydraulic disc brakes on trailers over 2 tonne in Australia.

ADR states - Every trailer having a "Gross Trailer Mass" over 2 tonnes must be equipped with an efficient 'Emergency Brake System' which will cause immediate automatic application of it's 'Brakes' in the event of the trailer accidentally becoming disconnected from the tow vehicle. 'Brakes' so applied must remain applied for at least 15 minutes.



PART NO:	PACK TYPE:	INNER CARTON QUANTITY:	OUTER CARTON QUANTITY:
HBA1600	BULK	N/A	1

- Electro Hydraulic Actuator**
- 1600PSI system
 - Seperate enclosure for oil reservoir & PCB
 - compact design 255mm(l) x 84mm(w) x 150mm(h)
 - works with all proportional in car controllers
 - not compatible with time based controllers





DEE SHACKLES (RATED)

Complies to Australian standards AS2741-2002



PART NO:	FINISH:	WIDTH:	RATING:	PACK TYPE:	INNER CARTON QUANTITY:	OUTER CARTON QUANTITY:
DSGR08	GALVANISED	8mm (5/16")	750kg	BULK	50	200
DSGR08B	GALVANISED	8mm (5/16")	750kg	BLISTER	10	100
DSGR10	GALVANISED	10mm (3/8")	1000kg	BULK	50	200
DSGR10B	GALVANISED	10mm (3/8")	1000kg	BLISTER	10	100
DSGR11	GALVANISED	11mm (7/16")	1500kg	BULK	50	200
DSGR11B	GALVANISED	11mm (7/16")	1500kg	BLISTER	10	100
DSGR13	GALVANISED	13mm (1/2")	2000kg	BULK	25	100
DSGR13B	GALVANISED	13mm (1/2")	2000kg	BLISTER	5	20

BOW SHACKLES



PART NO:	FINISH:	SIZE:	PACK TYPE:	INNER CARTON QUANTITY:	OUTER CARTON QUANTITY:
BSS06B	STAINLESS STEEL	6mm	BLISTER	10	100
BSS08B	STAINLESS STEEL	8mm	BLISTER	10	100
BSS10B	STAINLESS STEEL	10mm	BLISTER	10	100
BSG20D	GALVANISED	20mm	BLISTER	5	20

DEE SHACKLES



PART NO:	FINISH:	SIZE:	PACK TYPE:	INNER CARTON QUANTITY:	OUTER CARTON QUANTITY:
DSG06B	GALVANISED	6mm	BLISTER	10	100
DSS06B	STAINLESS STEEL	6mm	BLISTER	10	100
DSG08	GALVANISED	8mm	BULK	100	400
DSG08B	GALVANISED	8mm	BLISTER	10	100
DSS08B	STAINLESS STEEL	8mm	BLISTER	10	100
DSG10	GALVANISED	10mm	BULK	50	200
DSG10B	GALVANISED	10mm	BLISTER	10	100
DSS10B	STAINLESS STEEL	10mm	BLISTER	10	100
DSG12	GALVANISED	12mm	BULK	25	100
DSG12B	GALVANISED	12mm	BLISTER	10	50
DSS12B	STAINLESS STEEL	12mm	BLISTER	10	50
DSG16B	GALVANISED	16mm	BLISTER	10	100

SCREWS (Self-Drilling)



PART NO:	SIZE:	SUITABLE MATERIAL:	PACK TYPE:	INNER CARTON QUANTITY:	OUTER CARTON QUANTITY:
SDM16	10 - 16mm x 16mm	METAL	BULK	N/A	1000
SDM25	10 - 16mm x 25mm	METAL	BULK	N/A	1000
SDP25	10 - 12mm x 25mm	PLASTIC	BULK	N/A	1000

Self-drilling Screws

Suitable for mounting of socket brackets into different materials

SNATCH BLOCK



PART NO:	PACK TYPE:	INNER CARTON QUANTITY:	OUTER CARTON QUANTITY:
SB8D	DISPLAY	N/A	6

Snatch Block
 Heavy duty 8000kg pulling capacity. Accepts up to 13mm wire cable. Suitable for hydraulic & electric winches. With greasable nipple.

HITCH RECEIVER BRACKET & SHACKLE



PART NO:	PACK TYPE:	INNER CARTON QUANTITY:	OUTER CARTON QUANTITY:
HRS4D	DISPLAY	N/A	6

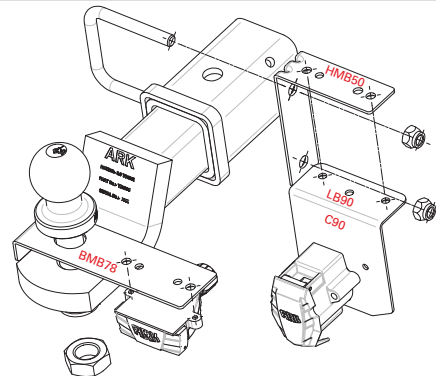
Hitch Receiver Bracket & Shackle
 Suits class 4 receiver. 20mm x 4.75 tonne shackle.

HITCH MOUNTING BRACKETS



PART NO:	PACK TYPE:	INNER CARTON QUANTITY:	OUTER CARTON QUANTITY:
HMB50	BULK	N/A	50

Hitch Mount Bracket
 Secures to hitch with U-bolt, includes U-bolt, mounting screws, washers and nuts. Suitable for all sockets.*.



PART NO:	PACK TYPE:	INNER CARTON QUANTITY:	OUTER CARTON QUANTITY:
BMB78	BULK	N/A	50

Ball Mount Bracket
 Secures to ball mount by tow ball, includes mounting screws, washers and nuts. Suitable for all sockets.*

* Additional brackets may be required for 7 pin round sockets.

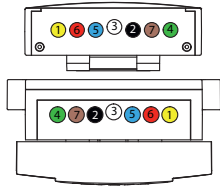


SECTION 2 / TRAILER PARTS



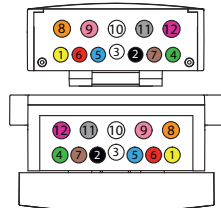
SECTION 2 /
TRAILER PARTS

7 Pin Flat Plug



7 Pin Flat Socket

12 Pin Flat Plug



12 Pin Flat Socket

FRONT VIEW

Ark Corporation achieved a world-first in August 1992 by inventing the ground breaking "Quick Assembly" 7-pin flat trailer plug and socket. This design, coupled with a press-fit grommet, ushered in a revolution of its time. It enabled significantly faster electrical installation, eliminating the cumbersome process of unscrewing the housing. Continuing its tradition of innovation, Ark raised the bar yet again in 2011 with the introduction of a magnetic feature in the trailer plugs. This innovation transformed the landscape by offering a safe and convenient method for stowing the trailer plug on the drawbar, ensuring secure and hassle-free storage.

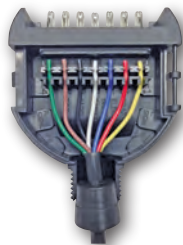
- 1 Left Indicator
- 2 Auxiliary or Reverse
- 3 Earth
- 4 Right Indicator
- 5 Electric Brakes
- 6 Stop Light
- 7 Tail Light, Licence Plate & Clearance
- 8 Battery Charger
- 9 Auxiliary
- 10 Earth
- 11 Rear Fog Lamp
- 12 Auxiliary

TRAILER PLUGS (7 Pin Flat)



PART NO:	PIN TYPE:	REGION:	PACK TYPE:	INNER CARTON QUANTITY:	OUTER CARTON QUANTITY:
FPP7	ROLLED	AUS & NZ	BULK	100	200
FPB7	ROLLED	AUS & NZ	BLISTER	10	50
FPPS7	SOLID	AUS & NZ	BULK	100	200

7 Pin Quick Assembly Flat Trailer Plug
Available in rolled pin or solid machined pin, includes magnet.
Pin rating 15A @ 12V



PART NO:	REGION:	PACK TYPE:	INNER CARTON QUANTITY:	OUTER CARTON QUANTITY:
FPPT7	AUS & NZ	BULK	75	150
FPPT7B	AUS & NZ	BLISTER	10	50

Ezi-Connect 7 Pin Flat Trailer Plug
Tool-less wiring connections. Magnetic trailer plug.
Single & dual cable input. Suitable for 2 - 2.5mm auto cable.
Pin rating 15A @ 12V

DID YOU KNOW?
Ark Corporation invented the first Tool-less Connector, filing the patent back in August of 2014.

TRAILER PLUG HOLDER (7 Pin Flat)



PART NO:	PACK TYPE:	INNER CARTON QUANTITY:	OUTER CARTON QUANTITY:
PHB7	BLISTER	10	100

7 Pin Flat Trailer Plug Holder
Designed for use with flat trailer plugs without magnets.

SOCKETS - STANDARD (7 Pin Flat)



PART NO:	PIN TYPE:	REGION:	PACK TYPE:	INNER CARTON QUANTITY:	OUTER CARTON QUANTITY:
FSP7	ROLLED	AUS & NZ	BULK	100	200
FSB7	ROLLED	AUS & NZ	BLISTER	10	50
FSPS7	SOLID	AUS & NZ	BULK	100	200

7 Pin Quick Assembly Flat Socket
Available in rolled pin or solid machined pin
Pin rating 15A @ 12V



PART NO:	REGION:	CABLE LENGTH:	PACK TYPE:	INNER CARTON QUANTITY:	OUTER CARTON QUANTITY:
FKP7	AUS & NZ	1.6m	BULK	25	50
FKB7	AUS & NZ	1.25m	BLISTER	10	50

7 Pin Quick Assembly Flat Socket
Connected to round cable
Pin rating 15A @ 12V



PART NO:	REGION:	CABLE LENGTH:	PACK TYPE:	INNER CARTON QUANTITY:	OUTER CARTON QUANTITY:
BSF7	AUS & NZ	1.5m	BULK	25	50
BSF7B	AUS & NZ	1.5m	BLISTER	10	50

7 Pin Flat Boot Socket
Connected to flat cable
Pin rating 15A @ 12V



PART NO:	REED SWITCH TYPE:	REGION:	PACK TYPE:	INNER CARTON QUANTITY:	OUTER CARTON QUANTITY:
FSPR7	OPEN	AUS & NZ	BULK	100	200
FSPR7C	CLOSED	AUS & NZ	BULK	100	200

7 Pin Flat Socket with Reed Switch
For use on vehicles with reversing sensors. The reed switch deactivates the reverse sensor while the trailer is connected
Pin rating 15A @ 12V

SOCKETS - NITE-LITE (7 Pin Flat)



PART NO:	REGION:	PACK TYPE:	INNER CARTON QUANTITY:	OUTER CARTON QUANTITY:
FSPL7	AUS & NZ	BULK	100	200
FSBL7	AUS & NZ	BLISTER	10	50

7 Pin Flat Nite-lite Socket
 Built-in LED light for connecting in the dark
 Pin rating 15A @ 12V



PART NO:	REGION:	PACK TYPE:	INNER CARTON QUANTITY:	OUTER CARTON QUANTITY:
FKPL7	AUS & NZ	BULK	25	50
FKBL7	AUS & NZ	BLISTER	10	50

7 Pin Flat Nite-lite Socket connected to 1.5m Round Cable
 Built-in LED light for connecting in the dark
 Pin rating 15A @ 12V

SOCKETS - DUAL POWER TRAILER

DUAL TRAILER SOCKET & 50A ANDERSON STYLE CONNECTOR



PART NO:	REGION:	PACK TYPE:	INNER CARTON QUANTITY:	OUTER CARTON QUANTITY:
FSP7A	AUS & NZ	BULK	5	20
FSP7AB	AUS & NZ	BLISTER	5	20

Dual Power Trailer Socket
 All-in-one 7 pin Flat Trailer Socket and Anderson style connector with Nite-lite and Normally Open Reed Switch. Designed for camper trailers and caravans requiring high current power to the trailer.
 Pin rating 15A @ 12V
 Anderson style pin rating 50A @ 12V

DID YOU KNOW?
 Ark Corporation invented the first Connector with built-in Anderson style connector, filing the patent back in March of 2016.

TRAILER PLUGS (12 Pin Flat)



PART NO:	REGION:	PACK TYPE:	INNER CARTON QUANTITY:	OUTER CARTON QUANTITY:
FPP12	AUS & NZ	BULK	25	100
FPB12	AUS & NZ	BLISTER	10	100

12 Pin Flat Trailer Plug
 Suitable for high current caravan/trailer appliances.
 Small pin rating 15A @ 12V
 Large pin rating 30A @ 12V

SOCKETS - STANDARD (12 Pin Flat)



PART NO:	REGION:	PACK TYPE:	INNER CARTON QUANTITY:	OUTER CARTON QUANTITY:
FSP12	AUS & NZ	BULK	25	100
FSB12	AUS & NZ	BLISTER	10	100

12 Pin Flat Socket
 Suitable for high current caravan/trailer appliances.
 First row of 7 pins can accept a normal 7 pin flat plug, for use with standard trailer electricals.
 Small pin rating 15A @ 12V
 Large pin rating 30A @ 12V

SOCKETS - DUAL POWER TRAILER

HITCHING UP
 IN THE NIGHT
 JUST GOT EASY

2 IN 1

WITH NITE-LITE AND REED SWITCH



PART NO:	REGION:	PACK TYPE:	INNER CARTON QUANTITY:	OUTER CARTON QUANTITY:
FSP12A	AUS & NZ	BULK	5	20
FSP12AB	AUS & NZ	BLISTER	5	20

Dual Power Trailer Socket
 All-in-one 12 pin Flat Trailer Socket and 50A Anderson style connector with Nite-lite and Normally Open Reed Switch. Designed for camper trailers and caravans requiring high current power to the trailer.
 Small pin rating 15A @ 12V
 Large pin rating 30A @ 12V
 Anderson style pin rating 50A @ 12V

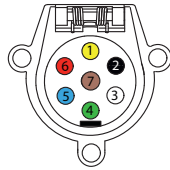
All-in-one sockets designed to deliver high current power to camper trailers and caravans

PATENT PENDING

7 Pin Large Round Plug



7 Pin Large Round Socket



FRONT VIEW

The 7-pin large round trailer plug and socket combo serves as the essential link between your tow vehicle and trailer's electrical systems, seamlessly supplying power to vital lighting components, including indicators, stop lights, and tail lights. Furthermore, it offers dedicated provisions for a battery hot wire and electric brakes, ensuring comprehensive electrical connectivity for your towing needs. Our product is available in a versatile range of housing designs, encompassing both durable plastic and robust metal options. As an added convenience, we've incorporated a magnetic feature into the trailer plugs. This innovation transformed the landscape by offering a safe and convenient method for stowing the trailer plug on the drawbar, ensuring secure and hassle-free storage.

- ① Left Indicator
- ② Auxiliary or Reverse
- ③ Earth
- ④ Right Indicator
- ⑤ Electric Brakes
- ⑥ Stop Light
- ⑦ Tail Light, Licence Plate & Clearance

TRAILER PLUGS (7 Pin Large Round)



PART NO:	REGION:	PACK TYPE:	INNER CARTON QUANTITY:	OUTER CARTON QUANTITY:
LPP7	VIC, TAS, NT & NZ	BULK	50	100
LPP7B	VIC, TAS, NT & NZ	BLISTER	10	50

7 Pin Large Round Trailer Plug
Includes magnet
Pin rating 30A @ 12V



PART NO:	REGION:	PACK TYPE:	INNER CARTON QUANTITY:	OUTER CARTON QUANTITY:
LMP7	VIC, TAS, NT & NZ	BULK	50	100
LMP7B	VIC, TAS, NT & NZ	BLISTER	10	50

7 Pin Large Round Metal Trailer Plug
Pin rating 30A @ 12V

SOCKETS - STANDARD (7 Pin Large Round)



PART NO:	REGION:	PACK TYPE:	INNER CARTON QUANTITY:	OUTER CARTON QUANTITY:
LPS7	VIC, TAS, NT & NZ	BULK	50	100
LPS7B	VIC, TAS, NT & NZ	BLISTER	10	50

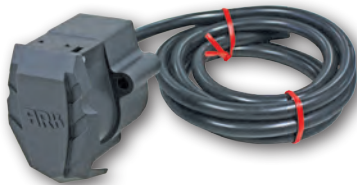
7 Pin Large Round Socket
Pin rating 30A @ 12V

SOCKETS - STANDARD (7 Pin Large Round)



PART NO:	REGION:	PACK TYPE:	INNER CARTON QUANTITY:	OUTER CARTON QUANTITY:
LMS7	VIC, TAS, NT & NZ	BULK	50	100
LMS7B	VIC, TAS, NT & NZ	BLISTER	10	50

7 Pin Large Round Metal Socket
Pin rating 30A @ 12V



PART NO:	REGION:	PACK TYPE:	INNER CARTON QUANTITY:	OUTER CARTON QUANTITY:
LRSK7	VIC, TAS, NT & NZ	BULK	25	50

7 Pin Large Round Socket
Connected to 1.5m round cable
Pin rating 30A @ 12V



PART NO:	REGION:	PACK TYPE:	INNER CARTON QUANTITY:	OUTER CARTON QUANTITY:
BSL7	VIC, TAS, NT & NZ	BULK	25	50
BSL7B	VIC, TAS, NT & NZ	BLISTER	10	50

7 Pin Large Round Boot Socket Kit
Connected to 1.5 m flat cable
Pin rating 30A @ 12V

SOCKETS - NITE-LITE (7 Pin Large Round)



PART NO:	REGION:	PACK TYPE:	INNER CARTON QUANTITY:	OUTER CARTON QUANTITY:
LSKL7	VIC, TAS, NT & NZ	BULK	25	50
LSKL7B	VIC, TAS, NT & NZ	BLISTER	10	50

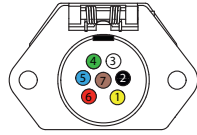
7 Pin Large Round Nite-lite Socket Connected to 1.5 m Flat Cable
Built-in LED light for connecting in the dark.
Pin rating 30A @ 12V

DID YOU KNOW?
Ark Corporation invented the first Illuminated Trailer Sockets, filing the patent back in November of 2015.

7 Pin Small Round Plug



7 Pin Small Round Socket



FRONT VIEW

The 7-pin large round trailer plug and socket combo serves as the essential link between your tow vehicle and trailer's electrical systems, seamlessly supplying power to vital lighting components, including indicators, stop lights, and tail lights. Furthermore, it offers dedicated provisions for a battery hot wire and electric brakes, ensuring comprehensive electrical connectivity for your towing needs. Our product is available in a versatile range of housing designs, encompassing both durable plastic and robust metal options. As an added convenience, we've incorporated a magnetic feature into the trailer plugs. This innovation transformed the landscape by offering a safe and convenient method for stowing the trailer plug on the drawbar, ensuring secure and hassle-free storage.

- 1 Left Indicator
- 2 Auxiliary or Reverse
- 3 Earth
- 4 Right Indicator
- 5 Electric Brakes
- 6 Stop Light
- 7 Tail Light, Licence Plate & Clearance

TRAILER PLUGS (7 Pin Small Round)



PART NO:	REGION:	PACK TYPE:	INNER CARTON QUANTITY:	OUTER CARTON QUANTITY:
PP70	QLD & WA	BULK	100	200
PP70B	QLD & WA	BLISTER	10	50

7 Pin Small Round Trailer Plug
Includes magnet
Pin rating 15A @ 12V

DID YOU KNOW?
Ark Corporation first invented the Magnetic Trailer Plug, filing the patent back in December of 2011.



PART NO:	REGION:	PACK TYPE:	INNER CARTON QUANTITY:	OUTER CARTON QUANTITY:
MP70	QLD & WA	BULK	100	200
MP70B	QLD & WA	BLISTER	10	50

7 Pin Small Round Metal Trailer Plug
Includes magnet
Pin rating 15A @ 12V

SOCKETS - STANDARD (7 Pin Small Round)



PART NO:	REGION:	PACK TYPE:	INNER CARTON QUANTITY:	OUTER CARTON QUANTITY:
SP70	QLD & WA	BULK	100	200
SB70	QLD & WA	BLISTER	10	50

7 Pin Small Round Socket
Pin rating 15A @ 12V

SOCKETS - STANDARD (7 Pin Small Round)



PART NO:	REGION:	PACK TYPE:	INNER CARTON QUANTITY:	OUTER CARTON QUANTITY:
MS70	QLD & WA	BULK	100	200
MS70B	QLD & WA	BLISTER	10	50

7 Pin Small Round Metal Socket
Includes mounting screws, washers and nuts.
Pin rating 15A @ 12V



PART NO:	REGION:	CABLE LENGTH:	PACK TYPE:	INNER CARTON QUANTITY:	OUTER CARTON QUANTITY:
SL70	QLD & WA	1.6m	BULK	25	50
SKB70	QLD & WA	1.25m	BLISTER	10	50
SL702	QLD & WA	2.0m	BULK	25	50

7 Pin Small Round Socket
Connected to round cable. Includes mounting screws, washers and nuts.
Pin rating 15A @ 12V



PART NO:	REGION:	PACK TYPE:	INNER CARTON QUANTITY:	OUTER CARTON QUANTITY:
SL70K	QLD & WA	BULK	25	50

7 Pin Small Round Socket Kit
Connected to 1.5m Round cable. Includes mounting screws, washers and nuts, 7 wire clips, 2 x 16 x 16 self drilling screws and angle mounting bracket to suit.
Pin rating 15A @ 12V



PART NO:	REGION:	PACK TYPE:	INNER CARTON QUANTITY:	OUTER CARTON QUANTITY:
BSS7	QLD & WA	BULK	25	50
BSS7B	QLD & WA	BLISTER	10	50

7 Pin Small Round Boot Socket
Connected to 1.5m flat cable
Pin rating 15A @ 12V

TRAILER ADAPTORS



PART NO:	CONNECTS VEHICLE SOCKET:	TO TRAILER PLUG:	PACK TYPE:	INNER CARTON QUANTITY:	OUTER CARTON QUANTITY:
7LS27P	7 Pin Large Round	7 Pin Small Round	BLISTER	10	50
7S27LP	7 Pin Small Round	7 Pin Large Round	BLISTER	10	50
7LS2FP	7 Pin Large Round	7 Pin Flat	BLISTER	10	50
7S2FP	7 Pin Small Round	7 Pin Flat	BLISTER	10	50
FS25LP	7 Pin Flat	5 Pin Large Round	BLISTER	10	50
FS27LP	7 Pin Flat	7 Pin Large Round	BLISTER	10	50
FS26P	7 Pin Flat	6 Pin Small Round	BLISTER	10	50
FS27P	7 Pin Flat	7 Pin Small Round	BLISTER	10	50
FS212P	7 Pin Flat	12 Pin Flat	BLISTER	5	20

MOUNTING BRACKETS (Small Round Socket)



PART NO:	BRACKET TYPE:	PACK TYPE:	INNER CARTON QUANTITY:	OUTER CARTON QUANTITY:
C360	FLAT	BULK	25	100
B360	FLAT	BLISTER	10	100
C90	ANGLE	BULK	25	100
B90	ANGLE	BLISTER	10	100

Suitable for small round plastic and metal socket.

MOUNTING BRACKETS (Large Round Socket)



PART NO:	BRACKET TYPE:	PACK TYPE:	INNER CARTON QUANTITY:	OUTER CARTON QUANTITY:
LC360	FLAT	BULK	25	100
LC360B	FLAT	BLISTER	10	100
LB90	ANGLE	BULK	25	100
LB90B	ANGLE	BLISTER	10	100

Suitable for large round plastic and metal socket.

ECU POWER 12 HARNESS (12 Pin Flat)



PART NO:	PACK TYPE:	INNER CARTON QUANTITY:	OUTER CARTON QUANTITY:
AHP12	BULK	10	20

ECU Power 12 Harness

ECU Universal harness technology integrated within a 12 pin connector and fitted with a Normally Open Reed Switch to isolate reverse sensors on vehicles.

ECU UNIVERSAL HARNESS KIT

In the era of advanced computer diagnostics integrated into modern vehicles, it's increasingly common for trailer electronics to clash with these sophisticated systems. Many modern vehicles emit pulse currents for their lighting, a feature not always in harmony with the LED lighting employed on trailers, which typically requires a constant current for seamless operation. This incompatibility can lead to troublesome issues like flickering symbols on dashboards and blinking external lights. Ark addresses these challenges with our range of ECU harnesses. Allowing for traditional methods of towbar wiring harness installation into modern vehicles that serve as a bridge, effectively eliminating such compatibility issues, and are designed to seamlessly integrate with most vehicles. They provide a reliable solution to ensure your trailer's electrical system functions harmoniously with modern vehicle technology. Say goodbye to those troublesome errors and enjoy hassle-free towing with Ark's Universal ECU harness kits.



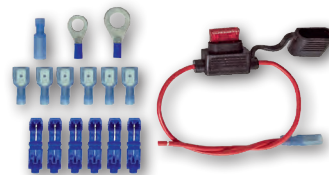
PART NO:	PACK TYPE:	INNER CARTON QUANTITY:	OUTER CARTON QUANTITY:
AH17E	BULK	N/A	50
ECU Harness Replacement ECU only			



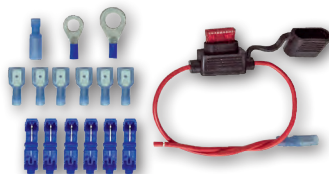
PART NO:	CABLE TYPE:	PACK TYPE:	INNER CARTON QUANTITY:	OUTER CARTON QUANTITY:
AH17FT	FLAT	BULK	25	50
AH17RT	ROUND	BULK	25	50
Inline Harness Trailer Socket Tail Nite-Lite 7 pin flat socket connected to 1.5m of cable. Suits Part No. AH17.				



PART NO:	PACK TYPE:	INNER CARTON QUANTITY:	OUTER CARTON QUANTITY:
AH17	BULK	15	30
ECU Harness Kit Inline harness - Complete vehicle side wiring kit. Round cable trailer socket tail.			



PART NO:	PACK TYPE:	INNER CARTON QUANTITY:	OUTER CARTON QUANTITY:
AH17F	BULK	15	30
ECU Harness Kit Inline harness - Complete vehicle side wiring kit. Flat cable trailer socket tail.			



SMART CONNECTOR

SMART CONNECTOR

UNIVERSAL TOWBAR HARNESS AND TRAILER LIGHT CHECK

Ark Corporation is thrilled to introduce an industry-first innovation that's set to redefine your towing experience – the Smart Connector. Imagine a 12-pin vehicle socket that not only connects your trailer but also checks and ensures your trailer's lighting system is in perfect working order. Yes, it's as smart as it sounds!

Instant Trailer Diagnostic: As soon as you connect your trailer plug to the Smart Connector, it springs into action. In just 20 seconds, it conducts a comprehensive diagnostic of your trailer's lighting system, activating the lights in sequence. This gives you ample time for a single person visual check, providing unmatched peace of mind.

Bluetooth® Convenience: The Smart Connector goes a step further with built-in Bluetooth® technology. Pair it with your iOS or Android device to perform checks whenever you want. Not only can you inspect your trailer's lighting, but you can also assess your vehicle's cable connections, a critical feature since lighting issues can arise on either the trailer or vehicle side.

AHI7 Integration: We've included Ark's highly acclaimed AHI7 universal towbar wiring harness functionality right within the Smart Connector. This feature is designed to overcome challenges associated with modern vehicle ECU compatibility when using traditional towbar wiring methods. What's more, the Smart Connector utilizes the same plugs found in the AHI7 wiring harness. If your vehicle is already equipped with an AHI7, upgrading to the Smart Connector is a seamless process.

Bonus 50A Anderson Style Connector: This powerful addition allows you to tap into higher currents, making it perfect for various applications including DC-DC chargers, electric over hydraulic brake systems, tipper trailers. Best of all, our system is incredibly flexible. You can also purchase optional mounts and Anderson style plugs, giving you the freedom to add extra connectors if needed.



PART NO:	PACK TYPE:	INNER CARTON QUANTITY:	OUTER CARTON QUANTITY:
FSP12SC	DISPLAY	1	10

Smart Connector 12 Pin Socket
 ECU Universal harness technology, trailer light check and monitoring integrated within a 12 pin connector with Bluetooth app control.



SMART CONNECTOR

Experience a new level of safety and convenience with the ARK app, designed to complement our groundbreaking Smart Socket. Here's how it enhances your driving experience:

Wireless Safety Features: Unlock a host of wireless safety features unique to the first Bluetooth-controlled vehicle socket in Australia. Take control of your vehicle's safety with the tap of a finger.

Multi-Socket Management: Pair multiple Smart Sockets with the app and customize each device with unique names. Stay organized and in control, whether you have one or several Smart Sockets in your fleet.

On-Demand Checks: Run essential vehicle cable checks and lighting assessments at your convenience. Ensure your lighting electrical system is in optimal condition with the flexibility to perform checks whenever needed.

Elevate your safety on the road with the ARK app and the Smart Socket—a powerful combination that puts you in command.

Download the app today and experience the future of vehicle safety in the palm of your hand.

APP DOWNLOAD



Why Choose the Smart Connector?

Total Lighting Confidence: Never second-guess your trailer's lighting again. The Smart Connector ensures it's always in perfect working order.

User-Friendly App: Pair it with your smartphone and run single person light checks at your convenience, putting control in your hands.

Versatile Cable Checks: Identify issues on either the trailer or vehicle side, allowing to pin point the location of the possible issue.

Easy Retrofit: If you have an AH17, upgrading to the Smart Connector is a breeze, thanks to shared plug compatibility.

Ark Corporation's Smart Connector is more than a socket; it's your ultimate solution for confident, intelligent, and trouble-free towing. Elevate your towing setup today and experience the future of trailer connectivity.

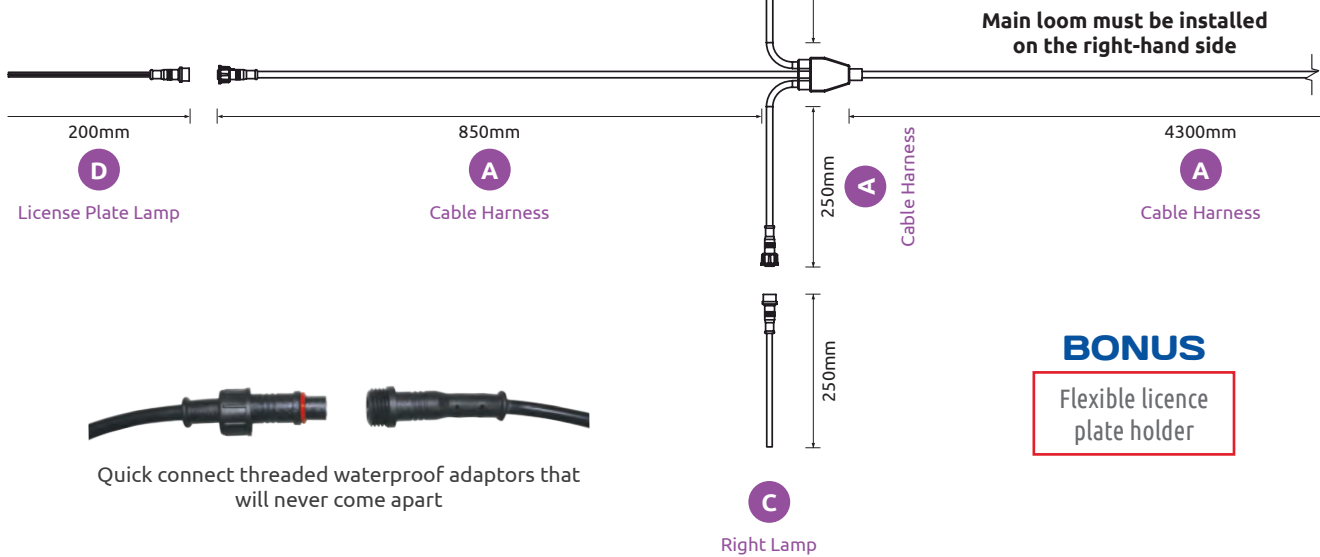
EZI-CONNECT - TRAILER HARNESS

EZI-CONNECT

TRAILER HARNESS



100% Quick Connect
100% Tool-less
100% Submersible



BONUS

Flexible licence plate holder

- Complete Trailer Wiring Solution
- Colour coded connectors for left and right-hand lamps
- All lamps are LED and ADR approved
- Suits trailer sizes 6ft x 4ft, 7ft x 4ft, 7ft x 5ft and 8ft x 5ft
- Can be extended to suit a trailer up to 12ft using the extension cable

	Harness	Extension	Total Length
OPTION 1	Part No. TA24LDU		= 4300mm
OPTION 2	Part No. TA24LDU	+ Part No. EXT100	= 5300mm

PART NO:	PACK TYPE:	INNER CARTON QUANTITY:	OUTER CARTON QUANTITY:
T24LDUB	DISPLAY	1	10

Ezi-Connect Trailer Harness

Suits trailer sizes 6ft x4ft, 7ft x4ft, 7ft x 5ft and 8ft x5ft (and up to 12ft with extension Part No. EXT100)

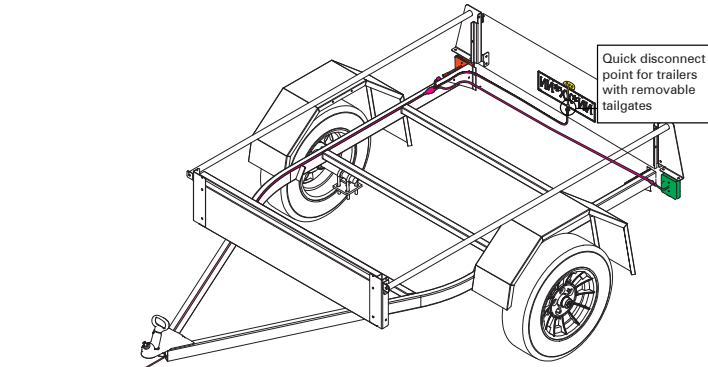
Includes: Left and Right LED lamps (Part No. LDU10L & Part No. LDU10R) and 1x LED Licence Plate Lamp (Part No. LDN90).



SSLDU10L Spare Left Lamp
SSLDU10R Spare Right Lamp

ALL PARTS REPLACEABLE

EZI-CONNECT - TRAILER HARNESS



Quick disconnect point for trailers with removable tailgates

Interchangeable Plugs (7 Pin small, Large Round & Flat Plugs)

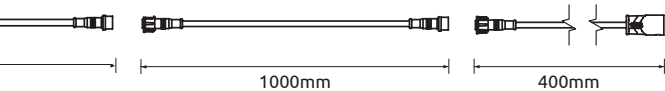
F



E



Main Loom Plug Connector (Retail - Blister Only)



1

Front Extension Cable



Part No. TPL400



Part No. TPS400



Part No. TPF400

J

Selected Trailer Plug Sold Separately (OE Only - Choose 1 from below)

PART NO:	PACK TYPE:	REGION:
TPL400	BULK	VIC & SA
Ezi-Connect OE Trailer Harness Front Connectors Large Round 7 Pin		

J

PART NO:	PACK TYPE:	REGION:
TPS400	BULK	QLD & WA
Ezi-Connect OE Trailer Harness Front Connectors Small Round 7 Pin		

J

PART NO:	PACK TYPE:	REGION:
TPF400	BULK	AUS & NZ
Ezi-Connect OE Trailer Harness Front Connectors Flat 7 Pin		

J

PART NO:	PACK TYPE:	INNER CARTON QUANTITY:	OUTER CARTON QUANTITY:
EXT100	BULK	N/A	100
1 metre Ezi-Connect Front Trailer Extension Cable Extends kits to suit up to 12ft trailers.			

1



PART NO:	PACK TYPE:	INNER CARTON QUANTITY:	OUTER CARTON QUANTITY:
TA24LDUSL	BULK	N/A	10
Ezi-Connect OE Trailer Harness Suits trailer sizes 6ft x4ft, 7ft x4ft, 7ft x 5ft and 8ft x5ft (and up to 12ft with extension Part No. EXT100) Bulk Pack Includes: Left and Right LED lamps (Part No. LDU10L & Part No. LDU10R) and 1x LED Licence Plate Lamp (Part No. LDN90)..			

A B C D + J



SSLDU10L Spare Left Lamp
SSLDU10R Spare Right Lamp

PART NO:	PACK TYPE:	INNER CARTON QUANTITY:	OUTER CARTON QUANTITY:
TA24LDURL	BULK	N/A	10
Ezi-Connect OE Trailer Harness Suits trailer sizes 6ft x4ft, 7ft x4ft, 7ft x 5ft and 8ft x5ft (and up to 12ft with extension Part No. EXT100) Bulk Pack Includes: Left and Right LED lamps (Part No. LDU15L & Part No. LDU15R) and 1x LED Licence Plate Lamp (Part No. LDN90).			

A B C D + J



SLDU15L Spare Left Lamp
SLDU15R Spare Right Lamp

PART NO:	PACK TYPE:	INNER CARTON QUANTITY:	OUTER CARTON QUANTITY:
T24SLD	BULK	N/A	10
Ezi-Connect Trailer Harness Suits trailer sizes 6ft x4ft, 7ft x4ft, 7ft x 5ft and 8ft x5ft (and up to 12ft with extension Part No. EXT100) Includes: Left and Right LED lamps (Part No. LDU10L & Part No. LDU10R) and 1x LED Licence Plate Lamp (Part No. LDN90).			

A B C D + J



SSLDU10L Spare Left Lamp
SSLDU10R Spare Right Lamp

All you need for your trailer

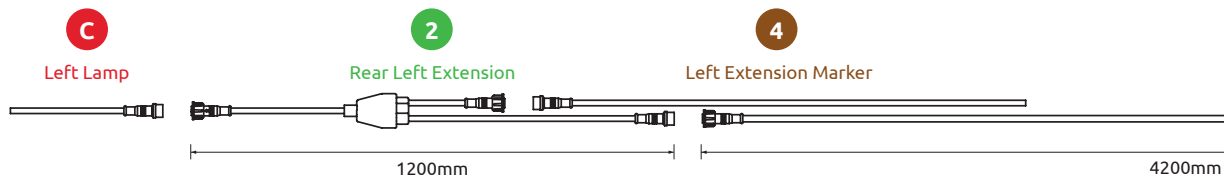
SECTION 2 / TRAILER PARTS

EZI-CONNECT BOAT TRAILER HARNESS

EZI-CONNECT

BOAT TRAILER HARNESS

- 100% Quick Connect
- 100% Tool-less
- 100% Submersible

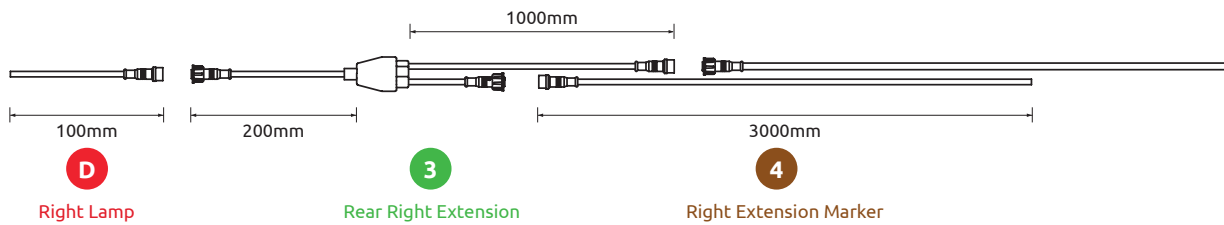


BONUS

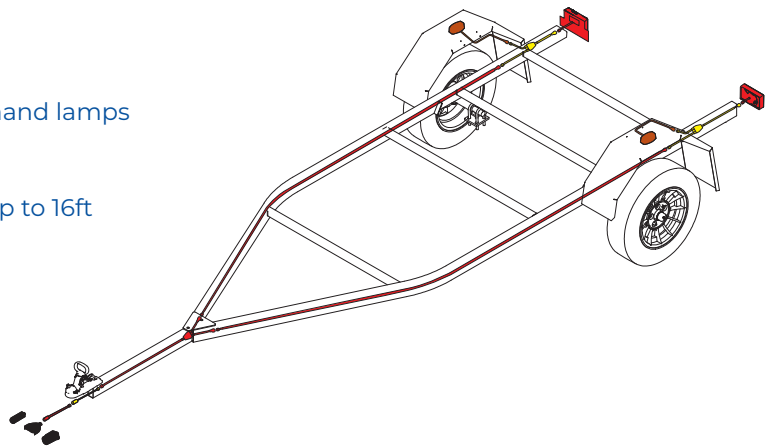
Flexible licence plate holder



Quick connect threaded waterproof adaptors that will never come apart



- Complete Boat Trailer Wiring Solution
- Colour coded connectors for left and right-hand lamps
- All lamps are LED and ADR approved
- Main harness suits Jetski and Boat trailers up to 16ft
- Can be extended to suit a trailer up to 21ft



	Harness	Extension	Side Markers	Total Length
OPTION 1	Part No. BTH16			= 6150mm
OPTION 2	Part No. BTH16	+ Part No. EXBT21		= 8650mm
OPTION 3	Part No. BTH16	+ Part No. EXBT21	+ Part No. EXBM73	= 8650mm

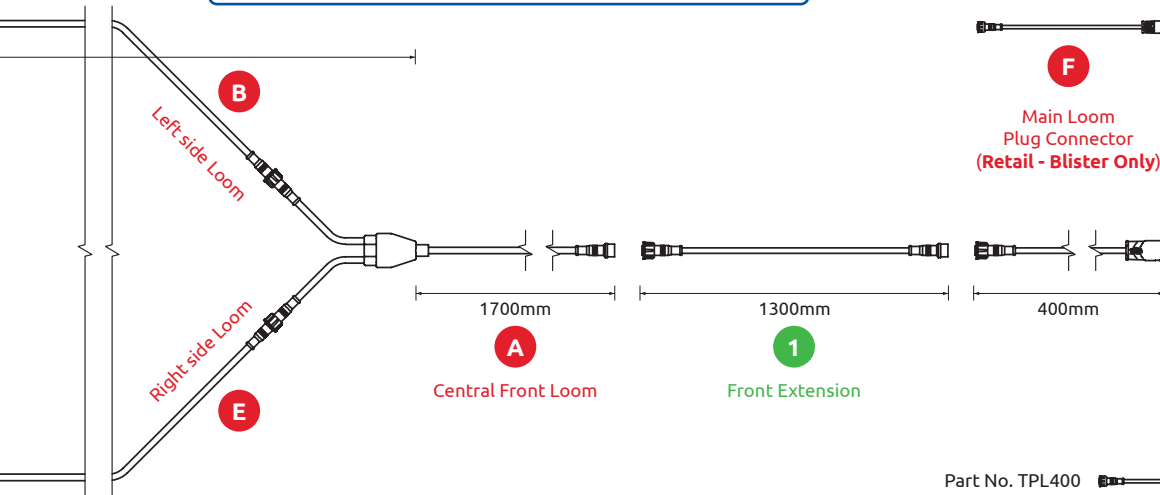
ALL PARTS REPLACEABLE

EZI-CONNECT - BOAT TRAILER HARNESS

PART NO:	PACK TYPE:	INNER CARTON QUANTITY:	OUTER CARTON QUANTITY:
BTH16B	DISPLAY	1	10
Ezi-Connect Boat Trailer Harness Suits boat trailers up to 16ft (and up to 21ft with extension Part No. EXBT21) Display Pack Includes: A B C D E F G SSDL15L Spare Left Lamp SSDL15R Spare Right Lamp			

PART NO:	PACK TYPE:	INNER CARTON QUANTITY:	OUTER CARTON QUANTITY:
EXBT21	BULK	N/A	25
EXBT21B	DISPLAY	1	25
Ezi-Connect Extension Kit Boat Trailer Harness Suitable for boat trailers length up to 21ft Includes: 1 2 3			

DID YOU KNOW?
 Ark Corporation invented the first Trailer Wiring Harness, filing the patent back in July of 2014.



Interchangeable Plugs
 (7 Pin small, Large Round & Flat Plugs)



Main Loom Plug Connector
 (Retail - Blister Only)

Part No. TPL400

Part No. TPS400

Part No. TPF400



Selected Trailer Plug **Sold Separately**
 (OE Only - Choose 1 from below)

PART NO:	PACK TYPE:	INNER CARTON QUANTITY:	OUTER CARTON QUANTITY:
EXBM73	BULK	N/A	100
EXBM73B	DISPLAY	10	20
Ezi-connect Red / Amber Markers 2 extension markers to suit Part. No BTH16 Includes: 4			

PART NO:	PACK TYPE:	REGION:
TPL400	BULK	VIC & SA
Ezi-Connect OE Trailer Harness Front Connectors Large Round 7 Pin H		

PART NO:	PACK TYPE:	INNER CARTON QUANTITY:	OUTER CARTON QUANTITY:
BTH16	BULK	N/A	10
Ezi-Connect Boat Trailer Harness Suits boat trailers up to 16ft (and up to 21ft with extension Part No. EXBT21) Bulk Pack Includes: A B C D E + H SSDL15L Spare Left Lamp SSDL15R Spare Right Lamp			

PART NO:	PACK TYPE:	REGION:
TPS400	BULK	QLD & WA
Ezi-connect OE Trailer Harness Front Connectors Small Round 7 Pin H		

PART NO:	PACK TYPE:	REGION:
TPF400	BULK	AUS & NZ
Ezi-connect OE Trailer Harness Front Connectors Flat 7 Pin H		

All you need for your trailer

SECTION 2 / TRAILER PARTS

INTERCHANGEABLE TRAILER BOARDS



Includes 3 trailer plugs

PART NO:	BOARD LENGTH:	PACK TYPE:	INNER CARTON QUANTITY:	OUTER CARTON QUANTITY:
TB153L	1.5m	BULK	2	4
TB1853L	1.85m	BULK	2	4

12V LED Interchangeable Trailer Board
8m of cable moulded to universal socket



Includes 3 trailer plugs

PART NO:	BOARD LENGTH:	PACK TYPE:	INNER CARTON QUANTITY:	OUTER CARTON QUANTITY:
TB153	1.5m	BULK	2	4
TB1853	1.85m	BULK	2	4

12V Incandescent Interchangeable Trailer Board
8m of cable moulded to universal socket



PART NO:	PLUG TYPE:	PACK TYPE:	INNER CARTON QUANTITY:	OUTER CARTON QUANTITY:
SIP7	SMALL ROUND	BULK	N/A	100
FIP7	FLAT	BULK	N/A	100
LIP7	LARGE ROUND	BULK	N/A	100

7 Pin Interchangeable Trailer Plugs
Replacement plugs for Interchangeable Trailer Boards, suits both LED and incandescent boards.

DID YOU KNOW?
Ark Corporation invented the Interchangeable Plug System, filing the patent back in December of 2012.

SECTION 2 / TRAILER PARTS



STANDARD TRAILER BOARDS

NEW PRODUCT



Connected to FLAT trailer plug

PART NO:	BOARD LENGTH:	PACK TYPE:	INNER CARTON QUANTITY:	OUTER CARTON QUANTITY:
TB15FL	1.5m	BULK	2	4
TB185FL	1.85m	BULK	2	4

12V LED Trailer Board
8m of cable connected to 7 pin flat plug

NEW PRODUCT



Connected to FLAT trailer plug

PART NO:	BOARD LENGTH:	PACK TYPE:	INNER CARTON QUANTITY:	OUTER CARTON QUANTITY:
TB15F	1.5m	BULK	2	4
TB185F	1.85m	BULK	2	4

12V Incandescent Trailer Board
8m of cable connected to 7 pin flat plug





GLD SERIES LED

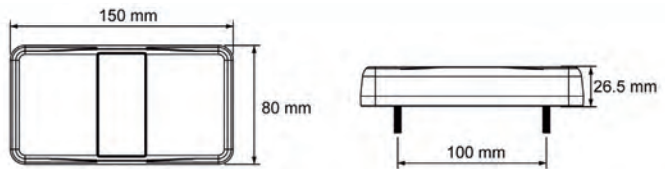
- > Significantly increases safety during night driving
- > Increase in tail lamp illumination area
- > Premium recognition and safety

GLOW TRAC



Tail light in function

High quality, heavy duty construction, for outstanding durability. Stop/tail, indicator, built-in reflex reflector. Complies to ADR.



PART NO:	VOLTS:	PACK TYPE:	INNER CARTON QUANTITY:	OUTER CARTON QUANTITY:
GLD15	12V	BULK	20	100
GLD15B	12/24V	BLISTER - SET OF 2	N/A	20

GLD Series LED Glow-Trac
4 Combined functions: Stop, Tail, Signal and Reflex Reflector.

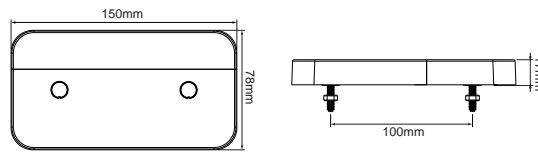


LDU SERIES LED

- > High quality longer life 12V SMD LEDs
- > Fully submersible
- > Ultra slim profile LED lamp @ 17mm

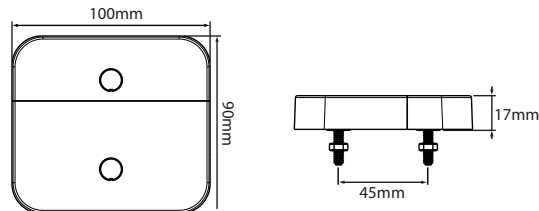
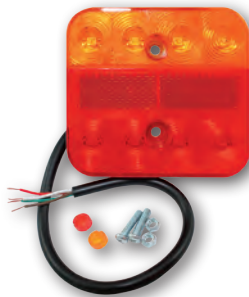


Fully submersible. Impact resistant. Complies to ADR. 100,000 Hours of operation.



PART NO:	VOLTS:	PACK TYPE:	INNER CARTON QUANTITY:	OUTER CARTON QUANTITY:
LDU15	12V	BULK	10	100
LDU15M	12/24V	BULK	10	100
LDU15MB	12/24V	BLISTER	10	40

LDU Series 150x78mm
4 Combined Functions: Stop, Tail, Signal and Reflex Reflector.



PART NO:	VOLTS:	PACK TYPE:	INNER CARTON QUANTITY:	OUTER CARTON QUANTITY:
LDU10	12V	BULK	10	100
LDU10M	12/24V	BULK	10	100
LDU10MB	12/24V	BLISTER	10	20

LDU Series 100x90mm
4 Combined Functions: Stop, Tail, Signal and Reflex Reflector.

LAMPS - MAGNETIC TOW LAMP KIT



PART NO:	VOLTS:	PACK TYPE:	INNER CARTON QUANTITY:	OUTER CARTON QUANTITY:
MLK984L	12/24V	DISPLAY	1	20

Magnetic LED Tow Lamp Kit
Powerful magnets, mount securely. Ideal for use on towed vehicles, boat trailers and trucks. Useful as an extra safety set of rear lights or hazard lights. Lamps mount up to 1.5 metres apart, with 8 metres of cable connected with interchangeable plugs. Lamps provide 4 Combined Functions: Stop, Tail, Signal and Reflex Reflector. Convenient and compact carry case.

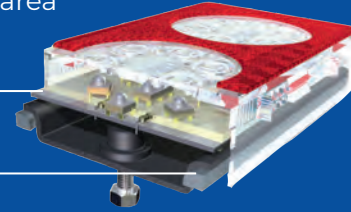


LD SERIES LED

- > High quality longer life 12V SMD LEDs
- > Unique double seal design
- > Increase in reflective area

Fully Sealed Circuit Board

Additional Seal



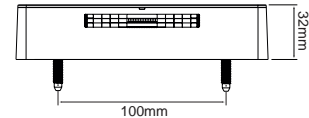
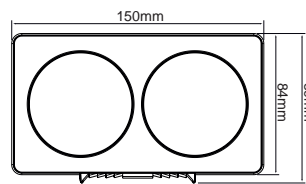
12V 150mm x 80mm. Stop/Tail. Indicator. In-built reflex reflector. 100,000 hours rated life. Fully sealed. Polycarbonate lens. Pre-wired and mounting screws. Complies to ADR.



LEFT SIDE



RIGHT SIDE



PART NO:	FUNCTION:	PACK TYPE:	INNER CARTON QUANTITY:	OUTER CARTON QUANTITY:
LD15L	4	BULK	10	50
LD15R	5	BULK	10	50
LD15SB	4 & 5	BLISTER - SET OF 2	5	20

LD Series 150x80mm

Left side 4 Combined functions: Stop, Tail, Signal and Reflex Reflector.
Right Side 5 Combined functions: Stop, Tail, Signal, Reflex Reflector and Licence Plate



PART NO:	FUNCTION:	PACK TYPE:	INNER CARTON QUANTITY:	OUTER CARTON QUANTITY:
LD15SB	4 & 5	BLISTER - SET OF 2	5	20

LD Series 150x80mm Submersible

Left side 4 Combined functions: Stop, Tail, Signal and Reflex Reflector.
Right Side 5 Combined functions: Stop, Tail, Signal, Reflex Reflector and Licence Plate. Stainless steel hardware.



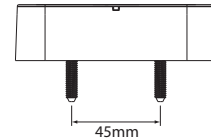
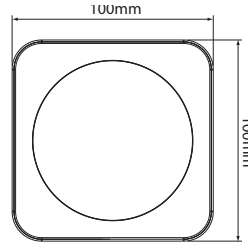
PART NO:	FUNCTION:	PACK TYPE:	INNER CARTON QUANTITY:	OUTER CARTON QUANTITY:
LD158	4 & 5	BULK - SET OF 2	1	20

LD Series 150x80mm Submersible

Left side 4 Combined functions: Stop, Tail, Signal and Reflex Reflector.
Right Side 5 Combined functions: Stop, Tail, Signal, Reflex Reflector and Licence Plate. Connected to 8m of cable. Stainless steel hardware.

LD SERIES LED

12V 100mm x 100mm. Stop/Tail. Indicator. In-built reflex reflector. 100,000 hours rated life. Fully sealed. Polycarbonate lens. Pre-wired and mounting screws. Complies to ADR.



LEFT SIDE



RIGHT SIDE



PART NO:	FUNCTION:	PACK TYPE:	INNER CARTON QUANTITY:	OUTER CARTON QUANTITY:
LD10L	4	BULK	10	50
LD10R	5	BULK	10	50
LD10SB	4 & 5	BLISTER - SET OF 2	10	40

LD Series 100x100mm

Left side 4 Combined functions: Stop, Tail, Signal and Reflex Reflector.
Right Side 5 Combined functions: Stop, Tail, Signal, Reflex Reflector and Licence Plate



PART NO:	FUNCTION:	PACK TYPE:	INNER CARTON QUANTITY:	OUTER CARTON QUANTITY:
LD10MSB	4 & 5	BLISTER - SET OF 2	10	40

LD Series 100x100mm 12/24V

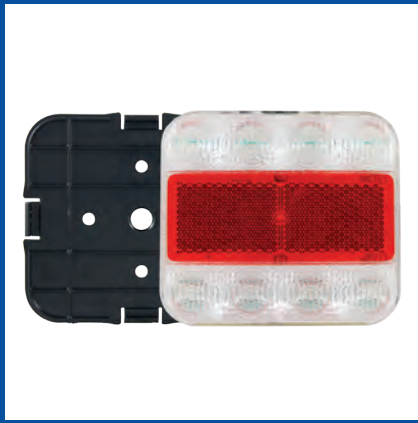
Left side 4 Combined functions: Stop, Tail, Signal and Reflex Reflector.
Right Side 5 Combined functions: Stop, Tail, Signal, Reflex Reflector and Licence Plate



PART NO:	FUNCTION:	PACK TYPE:	INNER CARTON QUANTITY:	OUTER CARTON QUANTITY:
LD10SSB	4 & 5	BLISTER - SET OF 2	10	40

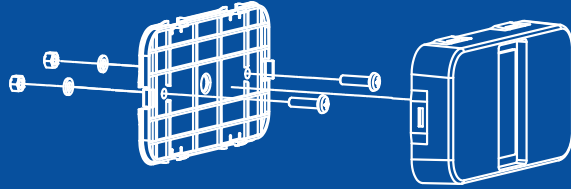
LD Series 100x100mm Submersible

Left side 4 Combined functions: Stop, Tail, Signal and Reflex Reflector.
Right Side 5 Combined functions: Stop, Tail, Signal, Reflex Reflector and Licence Plate. Stainless steel hardware.

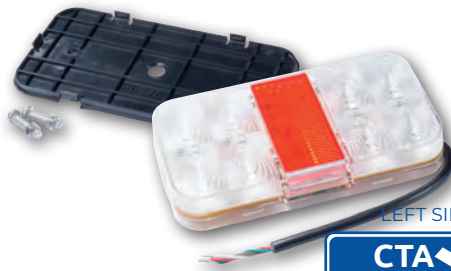


SLD SERIES LED

- > 100% submersible LED
- > Unique clip on mounting bracket design
- > Easy aftermarket fitment for campers and caravans



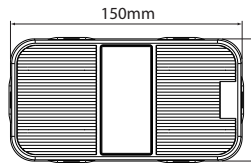
12V 150mm x 80mm. Stop/Tail. Indicator. In-built reflex reflector. 100% submersible. Polycarbonate lens. Pre-wired and mounting screws. Complies to ADR. 100,000 Hours of operation..



LEFT SIDE



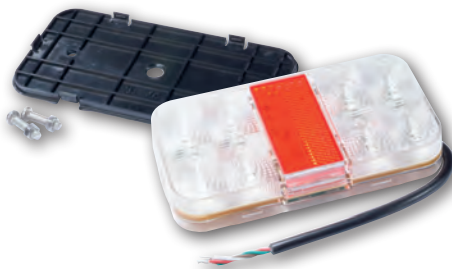
RIGHT SIDE



PART NO:	FUNCTION:	PACK TYPE:	INNER CARTON QUANTITY:	OUTER CARTON QUANTITY:
SLD15L	4	BULK	10	50
SLD15R	5	BULK	10	50
SLD15SB	4 & 5	BLISTER - SET OF 2	10	20

SLD Series 150x80mm

Left side 4 Combined functions: Stop, Tail, Signal and Reflex Reflector.
Right Side 5 Combined functions: Stop, Tail, Signal, Reflex Reflector and Licence Plate



PART NO:	FUNCTION:	PACK TYPE:	INNER CARTON QUANTITY:	OUTER CARTON QUANTITY:
SLD15MSB	4 & 5	BLISTER - SET OF 2	10	20

LD Series 150x80mm 12/24V

Left side 4 Combined functions: Stop, Tail, Signal and Reflex Reflector.
Right Side 5 Combined functions: Stop, Tail, Signal, Reflex Reflector and Licence Plate



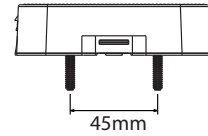
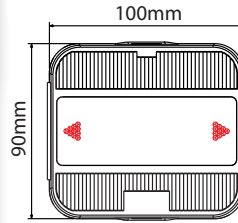
PART NO:	FUNCTION:	PACK TYPE:	INNER CARTON QUANTITY:	OUTER CARTON QUANTITY:
SLD159	4 & 5	BULK - SET OF 2	1	10

LD Series 150x80mm Submersible

Left side 4 Combined functions: Stop, Tail, Signal and Reflex Reflector.
Right Side 5 Combined functions: Stop, Tail, Signal, Reflex Reflector and Licence Plate. Connected to 9.5m of cable. Stainless steel hardware.

SLD SERIES LED

12V 100mm x 90mm. Stop/Tail. Indicator. In-built reflex reflector. 100% submersible. Polycarbonate lens. Pre-wired and mounting screws. Complies to ADR. 100,000 Hours of operation..



LEFT SIDE



RIGHT SIDE



PART NO:	FUNCTION:	PACK TYPE:	INNER CARTON QUANTITY:	OUTER CARTON QUANTITY:
SLD10L	4	BULK	10	100
SLD10R	5	BULK	10	100
SLD10SB	4 & 5	BLISTER - SET OF 2	10	40

LD Series 100x90mm

Left side 4 Combined functions: Stop, Tail, Signal and Reflex Reflector.
Right Side 5 Combined functions: Stop, Tail, Signal, Reflex Reflector and Licence Plate



PART NO:	FUNCTION:	PACK TYPE:	INNER CARTON QUANTITY:	OUTER CARTON QUANTITY:
SLD10MSB	4 & 5	BLISTER - SET OF 2	10	40

LD Series 100x90mm 12/24V

Left side 4 Combined functions: Stop, Tail, Signal and Reflex Reflector.
Right Side 5 Combined functions: Stop, Tail, Signal, Reflex Reflector and Licence Plate



PART NO:	FUNCTION:	PACK TYPE:	INNER CARTON QUANTITY:	OUTER CARTON QUANTITY:
SLD106	4 & 5	BULK - SET OF 2	1	10

LD Series 100x90mm Submersible

Left side 4 Combined functions: Stop, Tail, Signal and Reflex Reflector.
Right Side 5 Combined functions: Stop, Tail, Signal, Reflex Reflector and Licence Plate. Connected to 6m of cable. Stainless steel hardware.

TL SERIES INCANDESCENT

In February 1997, Ark Corporation proudly pioneered the world's first "Clip On" trailer light, a groundbreaking invention that transformed the trailer industry forever. This ingenious design innovation streamlined the process of installing trailer lights, eliminating the need for laborious unscrewing of housing units.

The impact of the "Clip On" trailer light was further amplified when combined with our previously trailblazing "Quick Assembly" trailer plug. Manufacturers benefited from drastically reduced electrical fitting times, and this dynamic duo quickly became an industry standard that continues to be relied upon to this day.

Ark Corporation's relentless commitment to innovation has left an indelible mark on the trailer industry, making the process of fitting trailer electricals faster, easier, and more efficient than ever before.



Stop/tail, indicator & built-in reflex reflector. Quick assembly. Comes with fitted 12V bayonet globes. Wire connectors. Mounting screws and nuts. Complies to ADR.



- > Original innovative clip on lens design
- > Complete with globes
- > Swap lens insert for left or right function

PART NO:	FUNCTION:	PACK TYPE:	INNER CARTON QUANTITY:	OUTER CARTON QUANTITY:
TL984A	4 & 5	BULK	25	100
TL984B	4 & 5	BLISTER	10	50

TL Series 100x100mm
 Left side 4 Combined functions: Stop, Tail, Signal and Reflex Reflector.
 Right Side 5 Combined functions: Stop, Tail, Signal, Reflex Reflector and Licence Plate
 Complete with both RED and CLEAR insert to suit 4 or 5 function lamp



PART NO:	FUNCTION:	PACK TYPE:	INNER CARTON QUANTITY:	OUTER CARTON QUANTITY:
TLL984	4 & 5	BULK	25	100
TLL984B	4 & 5	BLISTER	25	100

TL Series 100x100mm Replacement Lens
 Replacement lens to suit TL Series incandescent lamps, complete with both RED and CLEAR insert to suit 4 or 5 function lamp

LAMPS - LICENSE PLATE



PART NO:	VOLTS:	PACK TYPE:	INNER CARTON QUANTITY:	OUTER CARTON QUANTITY:
NPL75	12V	BULK	25	100
NPL75B	12V	BLISTER	10	50

Licence Plate Lamp
Fitted with 12V festoon. Complies to ADR.

LAMPS - LED LICENSE PLATE - MULTI-VOLT



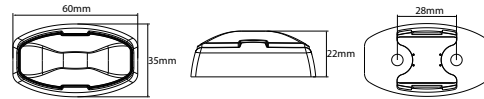
PART NO:	VOLTS:	PACK TYPE:	INNER CARTON QUANTITY:	OUTER CARTON QUANTITY:
LDN90	12/24V	BULK	50	200
LDN90B	12/24V	BLISTER	10	100

LED Licence Plate Lamp 12/24V
Fully sealed, 100,000 hours of operation and ADR approved. Pre-wired to 0.5 metre cable.



LAMPS - LED SLIMLINE MARKERS - Multi-Volt

Fully sealed. 100,000 hours of operation. ADR approved. Available in red/amber, red, white and amber.



PART NO:	CABLE LENGTH:	PACK TYPE:	INNER CARTON QUANTITY:	OUTER CARTON QUANTITY:
LDA70	0.15m	BULK	50	200
LDA725	2.5m	BULK	12	100
LDA70B	0.15m	BLISTER - SET OF 2	10	40

LED Side Marker Lamps 12/24V
Amber side marker lamp, polycarbonate lens and fully submersible.



PART NO:	CABLE LENGTH:	PACK TYPE:	INNER CARTON QUANTITY:	OUTER CARTON QUANTITY:
LDM70	0.15m	BULK	50	200
LDM725	2.5m	BULK	12	100
LDM70B	0.15m	BLISTER - SET OF 2	10	40

LED Side Marker Lamps 12/24V
Amber/Red side marker lamp, polycarbonate lens and fully submersible.



PART NO:	CABLE LENGTH:	PACK TYPE:	INNER CARTON QUANTITY:	OUTER CARTON QUANTITY:
LDR70	0.15m	BULK	50	200
LDR725	2.5m	BULK	12	100
LDR70B	0.15m	BLISTER - SET OF 2	10	40

LED Rear Marker Lamps 12/24V
Red rear marker lamp, polycarbonate lens and fully submersible.



PART NO:	CABLE LENGTH:	PACK TYPE:	INNER CARTON QUANTITY:	OUTER CARTON QUANTITY:
LDW70	0.15m	BULK	50	200
LDW725	2.5m	BULK	12	100
LDW70B	0.15m	BLISTER - SET OF 2	10	40

LED Front Marker Lamps 12/24V
White front side marker lamp, polycarbonate lens and fully submersible.

REFLEX REFLECTORS



PART NO:	SIZE:	PACK TYPE:	INNER CARTON QUANTITY:	OUTER CARTON QUANTITY:
AR2285	22mm x 85mm	BULK	100	1000
AR2285B	22mm x 85mm	BLISTER - SET OF 2	20	200
AR4373	43mm x 73mm	BULK	200	400
AR4373B	43mm x 73mm	BLISTER - SET OF 2	20	200

Side Reflex Reflectors
Amber self adhesive base. Complies to ADR



PART NO:	SIZE:	PACK TYPE:	INNER CARTON QUANTITY:	OUTER CARTON QUANTITY:
CR2285	22mm x 85mm	BULK	100	1000
CR2285B	22mm x 85mm	BLISTER - SET OF 2	20	200
CR4373	43mm x 73mm	BULK	200	400
CR4373B	43mm x 73mm	BLISTER - SET OF 2	20	200

Front Reflex Reflectors
Clear self adhesive base. Complies to ADR



PART NO:	SIZE:	PACK TYPE:	INNER CARTON QUANTITY:	OUTER CARTON QUANTITY:
RR2285	22mm x 85mm	BULK	100	1000
RR2285B	22mm x 85mm	BLISTER - SET OF 2	20	200
RR4373	43mm x 73mm	BULK	200	400
RR4373B	43mm x 73mm	BLISTER - SET OF 2	20	200

Rear Reflex Reflectors
Red self adhesive base. Complies to ADR



PART NO:	SIZE:	PACK TYPE:	INNER CARTON QUANTITY:	OUTER CARTON QUANTITY:
RAR2285B	22mm x 85mm	BLISTER - SET OF 4	20	200

Side and Rear Reflex Reflector Set
Amber and Red self adhesive base. Complies to ADR

CABLES - ELECTRICAL (2 CORE)



PART NO:	AMP RATING:	SIZE:	STRAND:	LENGTH:	COLOUR:
27032	4.0	2mm	7/0.32	100m	BLACK

Twin Core
2.0mm x 7 strand electrical cable, available in black & white, 100 metre reels.



(sheathed)



PART NO:	AMP RATING:	SIZE:	STRAND:	LENGTH:	COLOUR:
21603S/30	10.0	3mm	16/0.30	30m	BLACK
21603S	10.0	3mm	16/0.30	100m	BLACK
21603F/30	10.0	3mm	16/0.30	30m	RED, BLACK
21603F	10.0	3mm	16/0.30	100m	RED, BLACK

2 Core
3.0mm x 16 strand electrical cable, available in 30 and 100 metre reels.

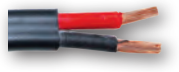


(sheathed)



PART NO:	AMP RATING:	SIZE:	STRAND:	LENGTH:	COLOUR:
22603S/30	15.0	4mm	26/0.30	30m	BLACK
22603S/100	15.0	4mm	26/0.30	100m	BLACK
22603F/30	15.0	4mm	26/0.30	30m	RED, BLACK
22603F	15.0	4mm	26/0.30	100m	RED, BLACK

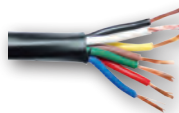
2 Core
4.0mm x 26 strand electrical cable, available in 30 & 100 metre reels.



PART NO:	AMP RATING:	SIZE:	STRAND:	LENGTH:	COLOUR:
24103S	27.0	5mm	41/0.30	30m	BLACK
24103S/50	27.0	5mm	41/0.30	50m	BLACK

2 Core
5.0mm x 41 strand sheathed electrical cable, available in 30 and 50 metre reels.

CABLES - ELECTRICAL (7 CORE)



PART NO:	AMP RATING:	SIZE:	STRAND:	LENGTH:	COLOUR:
77032/30	4.0	2mm	7/0.32	30m	BLACK
77032/100	4.0	2mm	7/0.32	100m	BLACK
77032/500	4.0	2mm	7/0.32	500m	BLACK

7 Core
2.0mm x 7 strand electrical cable, available in 30, 100 and 500 metre reels.



PART NO:	CABLE:	CABLE LENGTH:	PACK TYPE:	INNER CARTON QUANTITY:	OUTER CARTON QUANTITY:
710B	STANDARD	10m	BLISTER	5	20
710TB	TINNED	10m	BLISTER	5	20

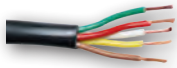
7 Core Trailer Cable Kit
Standard cable to suit incandescent lamps and Tinned cable suits LED lamps



PART NO:	CABLE:	CABLE LENGTH:	PACK TYPE:	INNER CARTON QUANTITY:	OUTER CARTON QUANTITY:
FC12S	STANDARD	1.25m	BULK	N/A	100
FC7B	STANDARD	1.5m	BLISTER	10	50

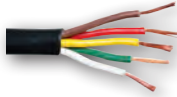
7 Core Flat Cable Kit

CABLES - ELECTRICAL (5 CORE)



PART NO:	AMP RATING:	SIZE:	STRAND:	LENGTH:	COLOUR:
57032/30	4.0	2mm	7/0.32	30m	BLACK
57032/100	4.0	2mm	7/0.32	100m	BLACK
57032/500	4.0	2mm	7/0.32	500m	BLACK

5 Core
2.0mm x 7 strand electrical cable, available in 30, 100 and 500 metre reels.



PART NO:	AMP RATING:	SIZE:	STRAND:	LENGTH:	COLOUR:
5903/30	6.0	2.5mm	9/0.30	30m	BLACK
5903/100	6.0	2.5mm	9/0.30	100m	BLACK

5 Core
2.5mm x 9 strand electrical cable, available in 30 and 100 metre reels.



PART NO:	AMP RATING:	SIZE:	STRAND:	LENGTH:	COLOUR:
51603/30	10.0	3mm	16/0.30	30m	BLACK
51603/100	10.0	3mm	16/0.30	100m	BLACK

5 Core
3.0mm x 16 strand electrical cable, available in 30 and 100 metre reels.



PART NO:	AMP RATING:	SIZE:	STRAND:	LENGTH:	COLOUR:
52603/30	15.0	4mm	26/0.30	30m	BLACK
52603/100	15.0	4mm	26/0.30	100m	BLACK

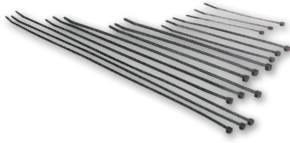
5 Core
4.0mm x 26 strand electrical cable, available in 30 and 100 metre reels.



PART NO:	CABLE:	CABLE LENGTH:	PACK TYPE:	INNER CARTON QUANTITY:	OUTER CARTON QUANTITY:
55B	STANDARD	5m	BLISTER	5	50
55TB	TINNED	5m	BLISTER	5	50
510TB	TINNED	10m	BLISTER	5	20

5 Core Trailer Cable Kit
Standard cable to suit incandescent lamps and Tinned cable suits LED lamps



CABLE TIES


PART NO:	TYPE:	SIZE:	PACK TYPE:	PACK QUANTITY:	OUTER CARTON QUANTITY:
CT4000	PLASTIC	100mm x 2.5mm	BULK	100	N/A
CT4001	PLASTIC	150mm x 3.6mm	BULK	100	N/A
CT4004	PLASTIC	200mm x 4.7mm	BULK	100	N/A
CT4005	PLASTIC	300mm x 4.8mm	BULK	100	N/A
CT4006	PLASTIC	380mm x 4.8mm	BULK	100	N/A
Black Cable Ties					

LIGHT GLOBES


PART NO:	FUNCTION:	RATING:	PACK TYPE:	INNER CARTON QUANTITY:	OUTER CARTON QUANTITY:
47254	FESTOON	12V - 5W	BULK	N/A	10
47263	FESTOON	12V - 3W	BULK	N/A	10
47380	STOP / TAIL	12V - 21/5W	BULK	N/A	10
47380B	STOP / TAIL	12V - 21/5W	BLISTER - SET OF 2	10	200
47382	INDICATOR	12V - 21W	BULK	N/A	10
47382B	INDICATOR	12V - 21W	BLISTER - SET OF 2	10	200
Replacement Globes					

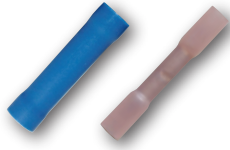
ELECTRICAL TAPE


PART NO:	TYPE:	SIZE:	PACK TYPE:	PACK QUANTITY:	OUTER CARTON QUANTITY:
SP9048	PVC INSULATING	19mm x 18m	BULK	N/A	10
Black PVC Electrical Insulating Tape					

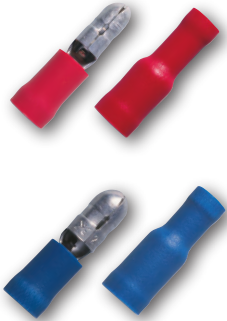
WIRE CLIPS


PART NO:	TYPE:	CABLE SIZE:	PACK TYPE:	INNER CARTON QUANTITY:	OUTER CARTON QUANTITY:
C250	QUICK SPLICE	2.5mm	BULK	100	1000
B250	QUICK SPLICE	2.5mm	BLISTER - SET OF 12	10	100
Quick Splice Connectors					

TERMINALS & CONNECTORS



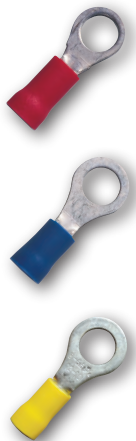
PART NO:	TYPE:	CABLE SIZE:	PACK TYPE:	PACK QUANTITY:	OUTER CARTON QUANTITY:
TE5002	CRIMP JOINER	4mm	BULK	100	N/A
WPC25	HEAT SHRINK JOINER	2.5 - 3mm	BULK	100	N/A
WPC25B	HEAT SHRINK JOINER	2.5 - 3mm	BLISTER - SET OF 10	10	100
Cable Joiners					



PART NO:	TYPE:	CABLE SIZE:	PACK TYPE:	PACK QUANTITY:	OUTER CARTON QUANTITY:
TE4814	MALE	2.5 - 3mm	BULK	100	N/A
TE4914	FEMALE	2.5 - 3mm	BULK	100	N/A
TE4825	MALE	4mm	BULK	100	N/A
TE4925	FEMALE	4mm	BULK	100	N/A
Bullet Connectors					



PART NO:	TYPE:	CABLE SIZE:	PACK TYPE:	PACK QUANTITY:	OUTER CARTON QUANTITY:
TE4416	MALE	2.5 - 3mm	BULK	100	N/A
TE4116	FEMALE	2.5 - 3mm	BULK	100	N/A
TE4426	MALE	4mm	BULK	100	N/A
TE4126	FEMALE	4mm	BULK	100	N/A
TE4226	FEMALE INSULATED	4mm	BULK	100	N/A
Blade Connectors					



PART NO:	RING SIZE:	CABLE SIZE:	PACK TYPE:	PACK QUANTITY:	OUTER CARTON QUANTITY:
TE1105	5mm	2.5 - 3mm	BULK	100	N/A
TE1106	6mm	2.5 - 3mm	BULK	100	N/A
TE1205	5mm	4mm	BULK	100	N/A
TE1206	6mm	4mm	BULK	100	N/A
TE1508	8mm	5mm	BULK	50	N/A
Ring Terminals					

JOCKEY WHEELS - XO SERIES 750

NOWHERE IS OFF LIMITS

Ark proudly presents the XO Series Jockey Wheel, standing as the epitome of toughness and innovation in Australia's jockey wheel landscape. It's not just tough; it's exceptionally versatile, designed to meet a wide array of towing needs. Here's why it's the best choice for your camper trailer or caravan:

Exceptional Toughness: The XO Series Jockey Wheel is engineered to withstand the most challenging conditions. It's built tough to ensure it can handle whatever comes its way.

Versatile Design: With multiple height options, a highly manoeuvrable trailing yoke design, and various yoke locking positions, the XO Series Jockey Wheel adapts to your specific requirements. Plus, it's available in a range of sizes, weight ratings, and styles, making it the perfect fit for various setups.

Proven Performance: Thoroughly tested and continually improved, the XO Series Jockey Wheel has set a new industry standard. It's the go-to choice for camper trailer and caravan enthusiasts who demand the best.

When you choose Ark's XO Series Jockey Wheel, you're investing in durability, versatility, and performance. Join the ranks of satisfied campers and caravanners who rely on the XO Series to make their journeys smoother and more enjoyable.

Elevate your towing experience with the XO Series Jockey Wheel—where toughness meets versatility, setting the gold standard in the camper trailer and caravan industry.



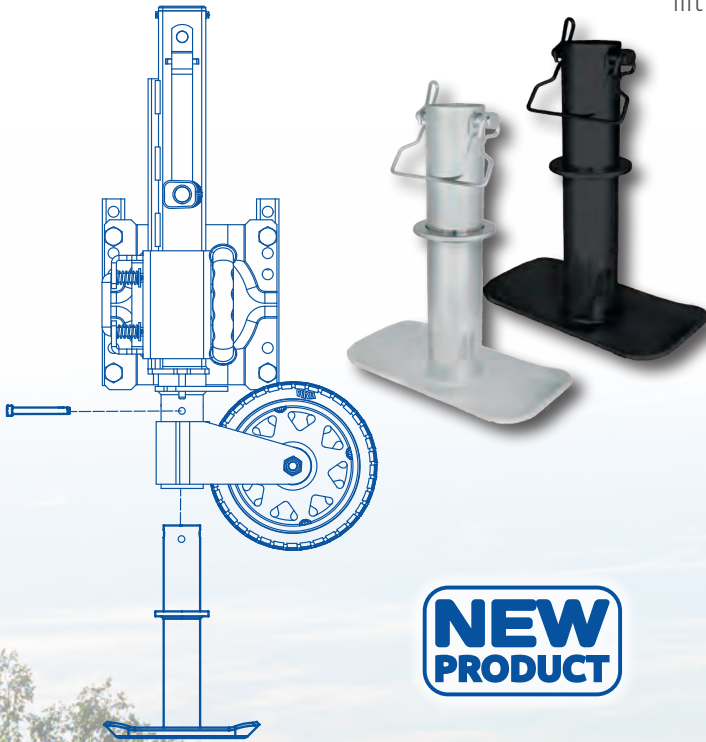
PART NO:	FINISH:	PACK TYPE:	WEIGHT RATING (kgs)	MINIMUM HEIGHT (mm)	MAXIMUM HEIGHT (mm)	SUITS DRAWBARS (mm)	WHEELS:
ORJW750XL	ZINC	BULK	750	285	850	75 - 150	2 x 8" Premium
ORJW750XLD	ZINC	DISPLAY	750	285	850	75 - 150	2 x 8" Premium
ORJW750	ZINC	BULK	750	285	710	75 - 150	2 x 8" Premium
ORJW750D	ZINC	DISPLAY	750	285	710	75 - 150	2 x 8" Premium
ORJW750B	BLACK ZINC / POWDER COAT	BULK	750	285	710	75 - 150	2 x 8" Premium
ORJW750BD	BLACK ZINC / POWDER COAT	DISPLAY	750	285	710	75 - 150	2 x 8" Premium

XO Series Jockey Wheels

Multiple height positions, magnetic removable handle, heavy duty square body, trailing yoke design, variable yoke lock, dual wheel with sealed bearings and 600hr salt spray testing on zinc. Complete with mounting bracket kit.

JOCKEY WHEELS - XO SERIES 750 FOOT STAND

The new XO Series Foot Stand will convert your XO750 Jockey Wheel to a stand giving you an increased height of 80mm. The foot plate is also designed to be compatible with aftermarket high lift jack base plates when needed on soft ground.



NEW PRODUCT

- Complete with securing pin
- Increases height of XO750 by 80mm
- Zinc finish - 600hr salt spray tested
- 200 x 100mm plate fits on standard hi-lift jack base plates
- Protects tyres from compressing over prolonged storage times of trailer

PART NO:	FINISH:	PACK TYPE:	SUITS:
ORJWFS80	ZINC	BULK	XO750 2021+
ORJWFS80B	BLACK	BULK	XO750 2021+

XO750 Foot Stand
Versatile dual function XO750 Foot Stand not only extends your jockey wheel height but protects your tyres compressing over prolonged storage times.

JOCKEY WHEELS - XO SERIES 350 / 500



DID YOU KNOW?
Ark Corporation invented the first Off-Road Jockey Wheel, filing the patent back in June of 2014.

PART NO:	FINISH:	PACK TYPE:	WEIGHT RATING (kgs)	MINIMUM HEIGHT (mm)	MAXIMUM HEIGHT (mm)	SUITS DRAWBARS (mm)	WHEELS:
ORJW350	ZINC	BULK	350	245	550	50 - 150	2 x 6" Premium
ORJW350D	ZINC	DISPLAY	350	245	550	50 - 150	2 x 6" Premium
ORJW500	ZINC	BULK	500	285	710	50 - 150	2 x 8" Premium
ORJW500D	ZINC	DISPLAY	500	285	710	50 - 150	2 x 8" Premium

XO Series Jockey Wheels
Multiple height positions, magnetic removable handle, heavy duty square body, trailing yoke design, variable yoke lock, dual wheel with sealed bearings and 600hr salt spray testing on zinc. Complete with mounting bracket kit.

JOCKEY WHEELS - XO SERIES TUBE MOUNT

THE FIRST REMOVABLE XO JOCKEY WHEEL

Ark Corporation proudly presents the XO750T Tube Mount Jockey Wheel, a game-changing innovation that redefines the jockey wheel landscape. Here's why it stands out:

Revolutionary Tube Mount Bracket: The XO750T introduces a groundbreaking reinforced tube mount bracket that's engineered to eliminate bending and enhance overall strength. Say goodbye to the worry of wear and tear on your jockey wheel.

All the Benefits of the XO750: The XO750T inherits all the outstanding features of the XO750 Jockey Wheels, ensuring top-notch performance and durability.

Complete Removability: What sets the XO750T apart is its unique ability to be completely removable. This feature significantly reduces your drawbar weight while traveling, enhancing your towing experience and ensuring better balance for your recreational vehicle.

Versatile Stowage: Additional brackets (P.66) are available for purchase, giving you the flexibility to stow the XO750T Jockey Wheel anywhere on your trailer. This strategic placement helps distribute the overall weight of your vehicle more effectively.

Enhanced Security: Your peace of mind is paramount. The XO750T is designed to be compatible with most 16mm hitch pin locks (P.8) available on the market. This added security layer ensures that your jockey wheel remains safely attached to your trailer, protecting your investment from theft.

When you choose the XO750T Tube Mount Jockey Wheel, you're opting for unbeatable strength and unmatched convenience. It's a must-have for anyone looking to optimize their towing setup.

Discover the difference that this remarkable jockey wheel can make in your travels.

PART NO:	FINISH:	PACK TYPE:	WEIGHT RATING (kgs)	MINIMUM HEIGHT (mm)	MAXIMUM HEIGHT (mm)	SUITS DRAWBARS (mm)	WHEELS:
ORJW750T	ZINC	BULK	750	285	710	50 - 150	2 x 8" Premium
ORJW750TB	BLACK ZINC / POWDER COAT	BULK	750	285	710	50 - 150	2 x 8" Premium

XO Series Tube Mount Jockey Wheels

Multiple height positions, magnetic removable handle, heavy duty square body, trailing yoke design, variable yoke lock, dual wheel with sealed bearings and 600hr salt spray testing on zinc. Complete with mounting bracket kit.



JOCKEY WHEELS - CENTRE A-FRAME MOUNT SERIES

Say farewell to the hassle of removing and storing your caravan's jockey wheel while on the road. Ark Corporation introduces the Central A-frame Mount series, a revolutionary solution designed to simplify your caravanning experience. Here's why it's a game-changer:

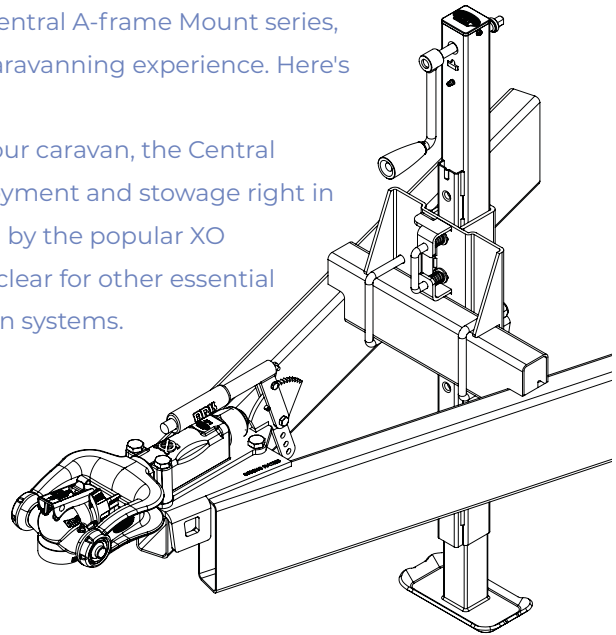
Innovative Central Mount: Permanently affixed to your caravan, the Central A-frame Mount Jockey Wheel offers effortless deployment and stowage right in the central A-frame. This innovative design, inspired by the popular XO Series jockey wheels, keeps your caravan's drawbar clear for other essential accessories like stone guards and weight distribution systems.

Enhanced Ergonomics: Crafted with caravanners in mind, the jockey wheel's extended body elevates the side-winding mechanism to a more ergonomic height. This thoughtful design reduces the need for bending over, making the operation of the winding handle effortless.

Easy Operation: The twin side-winding mechanism allows the operator to use their dominant hand, regardless of which side they hitch or unhitch the caravan from. This flexibility ensures maximum ease of use.

Feature-Packed: Similar to the renowned XO Series, the Central A-frame Mount Jockey Wheel offers a substantial 850mm height adjustability, twin 6" wheels, a trailing yoke design, and an industry-standard 350kgs load rating. Its zinc finish is rigorously tested, enduring 600 hours of salt spray testing, ensuring long-lasting durability. It also accommodates A-frame cross beams of 50mm or 100mm in size.

Jockey Stand Option: For those who don't require manoeuvrability, a Jockey Stand option is available. Its footplate is compatible with aftermarket hi-lift jack base plates on the market, providing a larger footprint for stability when unhitching on soft ground. The Central A-frame Mount Jockey Wheel redefines convenience in caravanning, allowing you to focus on the joy of your journey. Experience the difference and make your caravan adventures simpler than ever before.



PART NO:	FINISH:	PACK TYPE:	WEIGHT RATING (kgs)	MINIMUM HEIGHT (mm)	MAXIMUM HEIGHT (mm)	SUITS CROSSBAR (mm)	WHEELS:
CMJW350	ZINC	BULK	350	160	850	50 - 100	2 x 6" Premium
CMJS350	ZINC	BULK	350	160	725	50 - 100	N/A

Central A-Frame Mount Series
 Suitable for caravans and large trailers, available in 6" twin jockey wheel or stand. The Central A-Frame Mount series have a huge 850mm overall extension, multiple height positions and magnetic removable handle.

JOCKEY WHEELS - XO SERIES REPLACEMENT PARTS



NEW PRODUCT

PART NO:	FINISH:	SUITS:	PACK TYPE:	INNER CARTON QUANTITY:	OUTER CARTON QUANTITY:
ORJW750SH	BLUE	XO750	BULK	N/A	20
ORJWWHB	BLACK	XO750	BULK	N/A	20
ORJWWH	BLUE	XO350 / XO500	BULK	N/A	20

XO Jockey Wheel Replacement Winding Handle
Replacement magnetic handle to suit XO Series jockey wheels.



NEW PRODUCT

PART NO:	FINISH:	PACK TYPE:	INNER CARTON QUANTITY:	OUTER CARTON QUANTITY:
ORJWPSW8	WHITE	BULK	N/A	10
ORJWPSW8B	BLACK	BULK	N/A	10

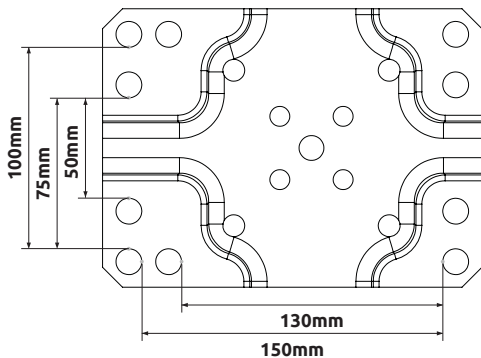
XO750 Series 8" Spare Wheel
Replacement wheel complete with bearings, available in white or black.



PART NO:	FINISH:	PACK TYPE:	INNER CARTON QUANTITY:	OUTER CARTON QUANTITY:
UCK5700	ZINC	BULK	N/A	50
UCK5700B	BLACK ZINC	BULK	N/A	50

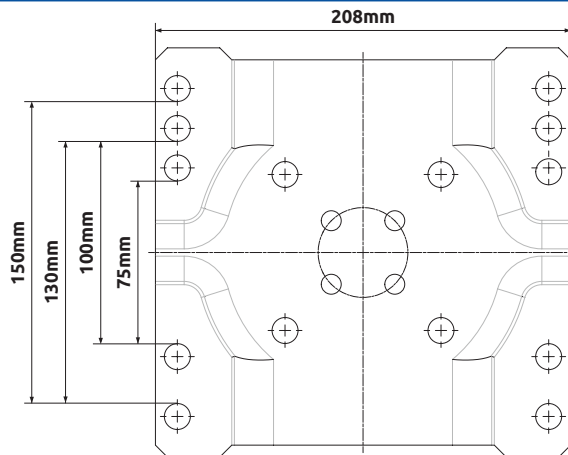
XO Jockey Wheel Mounting Kit
U channel kit complete with hardware for mounting XO Jockey Wheels, available in zinc or black zinc.

XO SERIES JOCKEY WHEEL BRACKET SPECIFICATIONS



XO750T / XO500 / XO350 / XO350R

Drawbar Fittment



XO750/XO500R

Drawbar Fittment

JOCKEY WHEELS - XO SERIES REPLACEMENT PARTS



PART NO:	FINISH:	SUITS:	PACK TYPE:	INNER CARTON QUANTITY:	OUTER CARTON QUANTITY:
ORJW750BC	BLUE	XO750	BULK	N/A	50
ORJW750BKC	BLACK	XO750	BULK	N/A	50
ORJW500BC	BLUE	XO350 / XO500	BULK	N/A	50

XO Jockey Wheel Replacement Cap
Replacement caps to suit XO series jockey wheels.



PART NO:	SUITS:	PACK TYPE:	INNER CARTON QUANTITY:	OUTER CARTON QUANTITY:
XOGBK500	XO350 / XO500 / CMJ350	BULK	N/A	50
XOGBK750	XO750	BULK	N/A	50

XO Jockey Wheel Replacement Bevel Gears
Internal winding handle bevel gear replacement kits to suit XO Jockey Wheels.



PART NO:	PACK TYPE:	INNER CARTON QUANTITY:	OUTER CARTON QUANTITY:
ORJWEH	BULK	N/A	50

300MM Extension for winding handle
Suits XO Series Jockey Wheels

JOCKEY WHEELS - XO SERIES 350R / 500R RATCHET

Experience the same exceptional features that made the XO Series Jockey Wheels a favourite among enthusiasts. Our XO Series Ratchet Jockey Wheels include multiple height adjustments, a convenient magnetic removable handle, a robust square body, and a secure yoke lock. These remarkable jockey wheels are designed to effortlessly handle caravans, horse floats, or trailers weighing up to an impressive 2 tonnes on even surfaces, requiring minimal effort from you.

Effortless Operation: With their user-friendly design, our XO Series Ratchet Jockey Wheels are a breeze to use. Simply rotate the knobs to the direction of travel and easily manoeuvre your load with precision and control.

Multiple Height Adjustments: Customize the height to suit your specific towing needs, ensuring a perfect fit every time.

Magnetic Removable Handle: The magnetic handle conveniently attaches and detaches, providing you with a secure grip when needed and effortless storage when not in use.

Heavy-Duty Square Body: Built to withstand rigorous use, the square body ensures durability and stability, even under heavy loads.

Yoke Lock: The secure yoke lock mechanism guarantees your load stays firmly in place during transport, providing peace of mind.

2-Tonne Capacity: With the ability to handle up to 2 tonnes of weight on even surfaces, these jockey wheels are a reliable and robust choice for any towing situation.

Upgrade your towing experience with the XO Series Ratchet Jockey Wheels – where convenience, durability, and performance come together seamlessly.



SECTION 2 / TRAILER PARTS

PART NO:	FINISH:	PACK TYPE:	WEIGHT RATING (kgs)	MINIMUM HEIGHT (mm)	MAXIMUM HEIGHT (mm)	SUITS DRAWBARS (mm)	WHEELS:
ORJW1SU	ZINC	DISPLAY	350	355	750	50 - 150	1 x 10" Ratchet
ORJW2SU	ZINC	DISPLAY	500	425	750	75 - 150	2 x 10" Ratchet
ORJW2T	ZINC	BULK	500	425	750	50 - 150	2 x 10" Ratchet

Ratchet XO Series Jockey Wheels

Multiple height positions, magnetic removable handle, heavy duty square body, yoke lock, dual wheel with bearings and 600hr salt spray testing on zinc. Complete with mounting bracket kit. Now available in twin wheel tube mount option ORJW2T.

JOCKEY WHEELS - EZI-MOVER RATCHET

DID YOU KNOW?
Ark Corporation first invented the Ratchet Jockey Wheel, filing the patent back in March of 2002.



RJW1C



RJW1SU



RJW2C

4 Functions:
Forward, Reverse, Neutral & Stop/Lock



PART NO:	FINISH:	PACK TYPE:	CLAMP TYPE:	WEIGHT RATING (kgs)	SUITS DRAWBARS (mm)	WHEELS:
RJW1C	ZINC	DISPLAY	BOLT/WELD FIXED	350	50 - 100	1 x 10" Ratchet
RJW1SU	ZINC	DISPLAY	U-BOLT SWIVEL	350	50 - 100	2 x 10" Ratchet
RJW2C	ZINC	DISPLAY	BOLT/WELD FIXED	500	50 - 100	2 x 10" Ratchet

Ezi-mover Ratchet Jockey Wheels
Capable of manoeuvring caravans, horse floats or trailers weighing up to 2 tonnes on an even surface with minimum effort. Easily operated by rotating the knobs.

JOCKEY WHEELS - RATCHET REPLACEMENT PARTS



NEW PRODUCT



PART NO:	PACK TYPE:	INNER CARTON QUANTITY:	OUTER CARTON QUANTITY:
SW10-RJW	BULK	N/A	5

Ratchet Jockey Wheel Replacement Wheel
Suits single wheel Ratchet Jockey Wheels

PART NO:	PACK TYPE:	INNER CARTON QUANTITY:	OUTER CARTON QUANTITY:
RJWEH	BULK	N/A	10

Ratchet Jockey Wheel Extension handle
Suits all Ratchet Jockey Wheels



RJWKF35



RJWKR35

PART NO:	PACK TYPE:	FUNCTION:	INNER CARTON QUANTITY:	OUTER CARTON QUANTITY:
RJWKF35	BULK	FORWARD	N/A	50
RJWKR35	BULK	REVERSE	N/A	50

Gear Selector knob/spring pin
Suits all Ratchet Jockey Wheels



RJWKA30

PART NO:	PACK TYPE:	INNER CARTON QUANTITY:	OUTER CARTON QUANTITY:
RJWKA30	BULK	N/A	50

Ratchet Jockey Wheel Extension handle knob
Suits all Ratchet Jockey Wheels

Colours may vary on above listed products

SECTION 2 / TRAILER PARTS

JOCKEY WHEELS - PREMIUM DUAL WHEEL

Suited for those who have a standard fixed clamp welded on their caravan A-frame or want to replace their existing clamp on jockey wheel with a more robust and easy to manoeuvre jockey wheel.



- Dual Wheels
- Solid rubber tyres
- Trailing yoke design
- Fold-away winding handle
- 250mm maximum height extension
- Sunraysia powder coated steel rims
- Sealed bearings
- Rated up to 350kg

PART NO:	WHEELS:	PACK TYPE:	CLAMP TYPE:
JWP62C	2 X 6"	BULK	BOLT/WELD FIXED
JWP82C	2 X 8"	BULK	BOLT/WELD FIXED

Premium Dual Wheel Jockey Wheel - 350kg load capacity



JOCKEY WHEELS - ECONOMY

A basic jockey wheel for the budget conscious – suitable for box trailers, tinnie boat trailers and lighter vehicles weighing under 750kg.

Features:

- Rated up to 350kg
- Solid rubber tyre
- Quality zinc finish
- 250mm maximum height extension



PART NO:	PACK TYPE:	CLAMP TYPE:
JWE6C	BULK	BOLT/WELD FIXED
JWE6S	BULK	BOLT/WELD SWIVEL
JWE6SU	BULK	U-BOLT SWIVEL

6" Economy Jockey Wheel - 350kg load capacity

JOCKEY WHEELS - STANDARD BOAT WHEEL ASSEMBLY



PART NO:	PACK TYPE:
JWB6	BULK

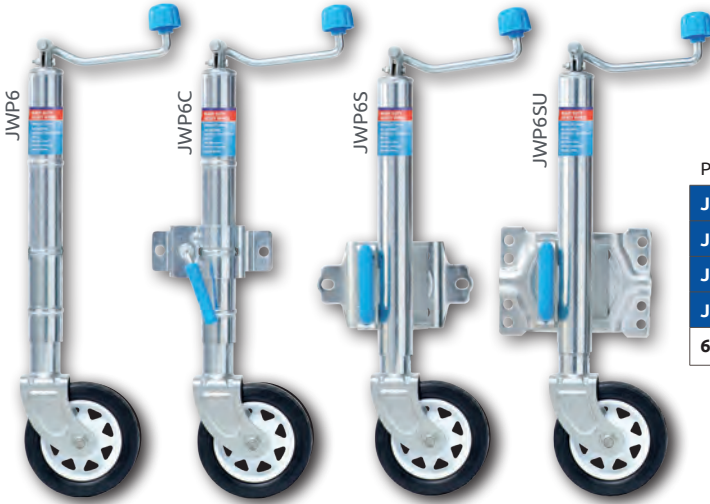
Boat Wheel Assembly
150mm (6") standard wheel and bracket. Non-extendable.
350kg load capacity

JOCKEY WHEELS - PREMIUM

For those who want the smoothest running, longest lasting, highest quality and best looking jockey wheel on the market - with a white sunraysia style rim to match the wheels on your rig. Suitable for all on-road, off-road and marine uses.

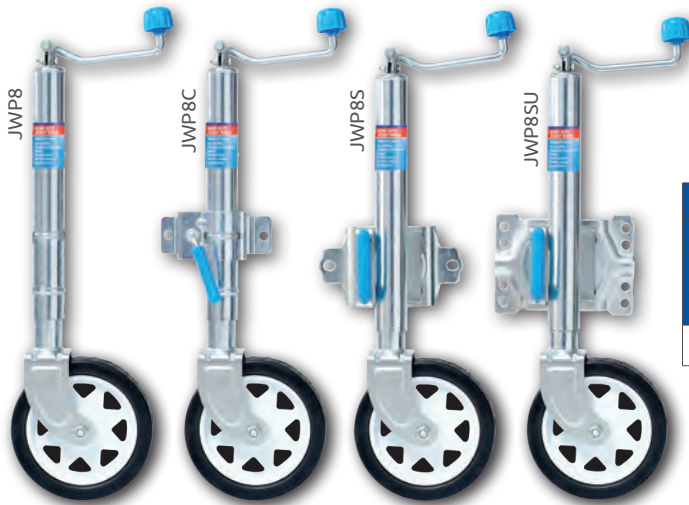
Features:

- Quality zinc plating
- Sealed bearings
- 250mm maximum height extension
- Easy-tilt swivel system clamp handle
- Solid rubber tyres
- Rated up to 350kg
- Fold-away winding handle
- Sunraysia powder coated steel rims



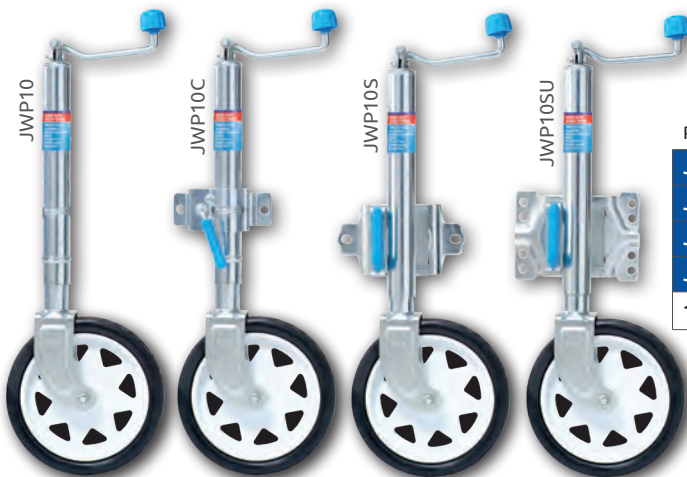
PART NO:	PACK TYPE:	CLAMP TYPE:
JWP6	BULK	NO CLAMP
JWP6C	BULK	BOLT/WELD FIXED
JWP6S	BULK	BOLT/WELD SWIVEL
JWP6SU	BULK	U-BOLT SWIVEL

6" Premium Jockey Wheel - 350kg load capacity



PART NO:	PACK TYPE:	CLAMP TYPE:
JWP8	BULK	NO CLAMP
JWP8C	BULK	BOLT/WELD FIXED
JWP8S	BULK	BOLT/WELD SWIVEL
JWP8SU	BULK	U-BOLT SWIVEL

8" Premium Jockey Wheel - 350kg load capacity



PART NO:	PACK TYPE:	CLAMP TYPE:
JWP10	BULK	NO CLAMP
JWP10C	BULK	BOLT/WELD FIXED
JWP10S	BULK	BOLT/WELD SWIVEL
JWP10SU	BULK	U-BOLT SWIVEL

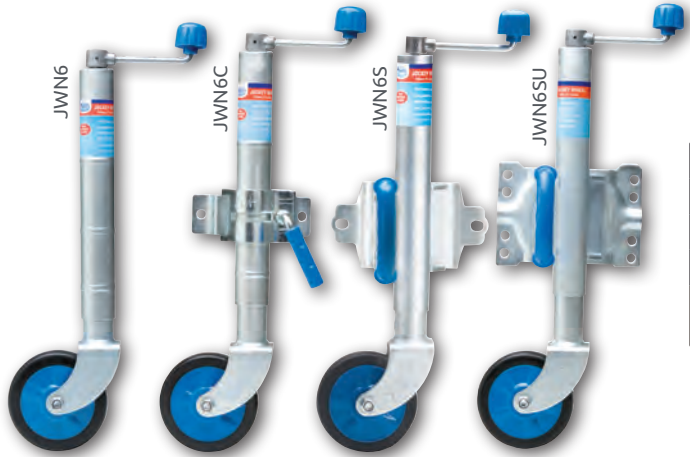
10" Premium Jockey Wheel - 350kg load capacity

JOCKEY WHEELS - STANDARD

A quality jockey wheel at an affordable price, the standard range are probably Australia's best known and best value jockey wheels - all with zinc finish and a solid rubber wheel. They're ideal for boat trailers, box trailers, horse trailers and lighter camper trailers. They are also the jockey wheel of choice by most trailer manufacturers.

Features:

- Quality zinc plating
- Replaceable winding handle
- 250mm maximum height extension
- Solid rubber tyres
- Rated up to 350kg



PART NO:	PACK TYPE:	CLAMP TYPE:
JWN6	BULK	NO CLAMP
JWN6C	BULK	BOLT/WELD FIXED
JWN6S	BULK	BOLT/WELD SWIVEL
JWN6SU	BULK	U-BOLT SWIVEL

6" Standard Jockey Wheel - 350kg load capacity
Solid rubber wheel.



PART NO:	PACK TYPE:	CLAMP TYPE:
JWN8	BULK	NO CLAMP
JWN8C	BULK	BOLT/WELD FIXED
JWN8S	BULK	BOLT/WELD SWIVEL
JWN8SU	BULK	U-BOLT SWIVEL

8" Standard Jockey Wheel - 350kg load capacity
Solid rubber wheel with steel rim.



PART NO:	PACK TYPE:	CLAMP TYPE:
JWN10	BULK	NO CLAMP
JWN10C	BULK	BOLT/WELD FIXED
JWN10S	BULK	BOLT/WELD SWIVEL
JWN10SU	BULK	U-BOLT SWIVEL

10" Standard Jockey Wheel - 350kg load capacity
Solid rubber wheel with steel rim.

JOCKEY WHEELS - HEAVY DUTY

A serious jockey wheel for people who are serious about going off road - offering superior Dacromet protection and a 500kg rating. These jockey wheels will cope with whatever you throw at them and are suitable for all on-road, off-road and marine applications.

Features:

- 500kg Load Capacity
- Steel rim & solid rubber wheel
- Superior rust resistant dacromet finish
- 250mm maximum height extension



PART NO:	PACK TYPE:	CLAMP TYPE:
JW8CHD	BULK	BOLT/WELD FIXED
JW8SHD	BULK	BOLT/WELD SWIVEL
JW8SUHD	BULK	U-BOLT SWIVEL

Heavy Duty Jockey Wheels - 500kg load capacity
8" Steel rim, solid rubber wheel.



PART NO:	PACK TYPE:	CLAMP TYPE:
JW10CHD	BULK	BOLT/WELD FIXED
JW10SHD	BULK	BOLT/WELD SWIVEL
JW10SUHD	BULK	U-BOLT SWIVEL

Heavy Duty Jockey Wheels - 350kg load capacity
10" Steel rim, solid rubber wheel

JOCKEY WHEELS - PNEUMATIC

Designed for those launching and manoeuvring on sand and other similar soft ground. All four feature a large 10" inflatable heavy-tread rubber wheel to cope with those difficult ground conditions.

Features:

- 135kg Load Capacity
- Large 10" inflatable heavy tread wheel
- Superior rust resistant dacromet finish
- 250mm maximum height extension



PART NO:	PACK TYPE:	CLAMP TYPE:
JWN10P	BULK	NO CLAMP
JWN10CP	BULK	BOLT/WELD FIXED
JWN10SP	BULK	BOLT/WELD SWIVEL
JWN10SUP	BULK	U-BOLT SWIVEL

10" Pneumatic Jockey Wheels - 135kg load capacity
250mm extension.

JOCKEY WHEELS & STANDS - SIDE WIND

350kg load capacity - extension 250mm.



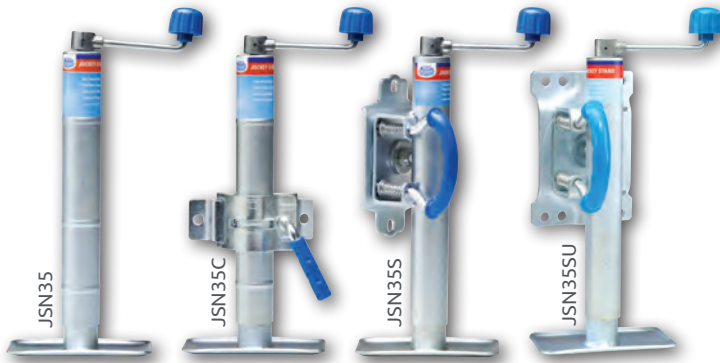
PART NO: PACK TYPE:

JWN6SUS	BULK	U-BOLT SWIVEL
JS35SU	BULK	U-BOLT SWIVEL

350kg load capacity
 Side winder, with locking swivel U-bolt bracket.

JOCKEY STANDS - STANDARD

350kg load capacity - extension 250mm.



PART NO: PACK TYPE: CLAMP TYPE:

JSN35	BULK	NO CLAMP
JSN35C	BULK	BOLT/WELD FIXED
JSN35S	BULK	BOLT/WELD SWIVEL
JSN35SU	BULK	U-BOLT SWIVEL

Jockey Stands - 350kg load capacity
JOCKEY STANDS - TUBE MOUNT


PART NO: PACK TYPE: CLAMP TYPE:

JS227	BULK	TUBE WELD SWIVEL
JSB227	BULK	TUBE BOLT SWIVEL

Jockey Stands Tube Mount - 2275kg load capacity
 Extension 250mm


HEAVY DUTY PARKING STANDS - TUBE MOUNT

Are you in need of a dependable, heavy-duty lifting solution for your trailer or agriculture equipment? Look no further than the Ark Heavy Duty Parking Stand. Designed to excel in the most demanding agricultural and industrial environments, this parking stand boasts an impressive lift capacity of 3365kg, making it a trusted choice for some of the largest and heaviest trailers in these sectors.

Key Features:

Exceptional Strength and Durability: The Ark Heavy Duty Parking Stand is engineered to withstand the toughest conditions, ensuring reliable and long-lasting performance in challenging agricultural and industrial settings.

Versatile Application: This parking stand is not limited to a single type of vehicle. It's suitable for a wide range of applications, including trailers, caravans, boat trailers, and more.

Effortless Operation: Equipped with a convenient side wind handle, the Ark Heavy Duty Parking Stand allows for easy and efficient winding without obstruction from surrounding objects. This feature simplifies the lifting process, saving you time and effort.

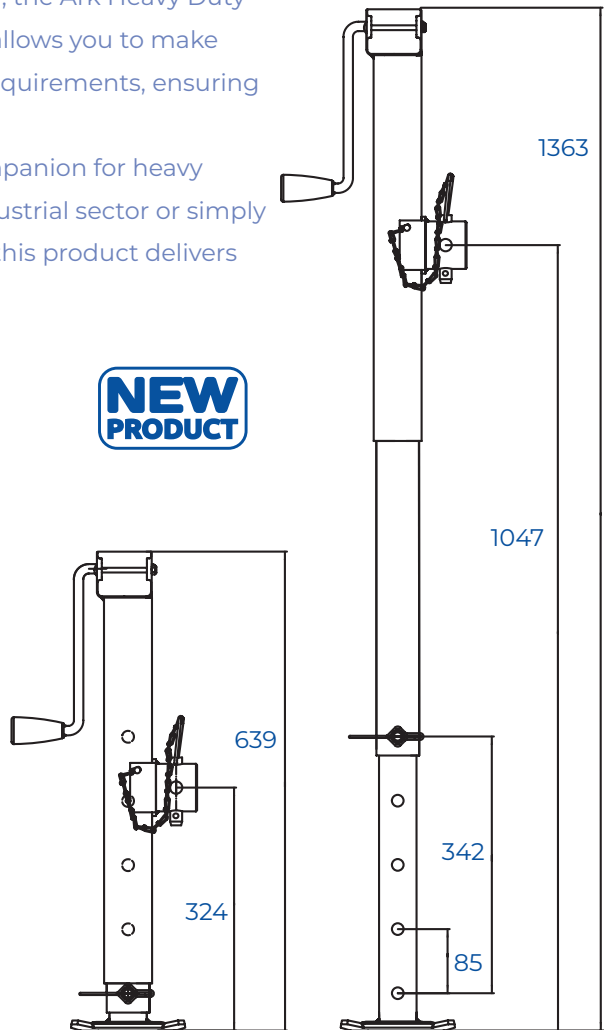
Square Tube: Unlike traditional round tube jacks, our parking stand features a square tube. This innovative design provides increased side load capacity, enhancing stability and safety during use.

Quick Adjustment Inner Tube: For added convenience, the Ark Heavy Duty Parking Stand includes an additional inner tube that allows you to make quick adjustments to accommodate varying length requirements, ensuring a customized fit for your specific needs.

The Ark Heavy Duty Parking Stand is your trusted companion for heavy lifting needs. Whether you're in the agricultural or industrial sector or simply need a reliable solution for your recreational vehicles, this product delivers exceptional performance you can count on.



NEW PRODUCT



	PART NO:	PACK TYPE:	CLAMP TYPE:
1	JS336	BULK	N/A
2	JST336	BULK	TUBE WELD SWIVEL

Heavy Duty Parking Stands Tube Mount
3365kg static load capacity, winding extension 380mm plus an additional quick adjustment up to 330mm

	PART NO:	PACK TYPE:	CLAMP TYPE:
3	JSTCM	BULK	TUBE WELD SWIVEL

Heavy Duty Parking Stands Mounting Bracket
Bracket available to weld in any position on JS336 model

JOCKEY WHEELS - REPLACEMENT WHEELS



**NEW
PRODUCT**

PART NO:	PACK TYPE:	WHEEL SIZE:	SHAFT SIZE:	INNER CARTON QUANTITY:	OUTER CARTON QUANTITY:
NW6	BULK	150mm - 6"	12mm	N/A	20
NW6B	BLISTER	150mm - 6"	12mm	10	20
SW8	BULK	200mm - 8"	22mm	N/A	10
SW8N	BULK	200mm - 8"	12mm	N/A	10
SW10	BULK	250mm - 10"	16mm	N/A	5

Standard Jockey Wheel Replacement Wheels
Available in 6", 8" and 10" sizes.



PART NO:	PACK TYPE:	WHEEL SIZE:	SHAFT SIZE:	INNER CARTON QUANTITY:	OUTER CARTON QUANTITY:
PSW6	BULK	150mm - 6"	12mm	N/A	10
PSW8	BULK	200mm - 8"	12mm	N/A	10
PSW10	BULK	250mm - 10"	12mm	N/A	5

Premium Jockey Wheel Replacement Wheels
Available in 6", 8" and 10" sizes.



PART NO:	PACK TYPE:	WHEEL SIZE:	SHAFT SIZE:	INNER CARTON QUANTITY:	OUTER CARTON QUANTITY:
PW10	BULK	250mm - 10"	16mm	N/A	20

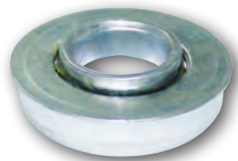
Pneumatic Jockey Wheel Replacement Wheels
Available in 10" size only.



PART NO:	PACK TYPE:	INNER CARTON QUANTITY:	OUTER CARTON QUANTITY:
IN10B	BLISTER	N/A	20

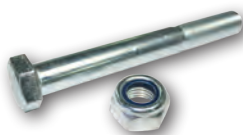
Inner Tube
Suits 250mm (10") pneumatic wheel

JOCKEY WHEELS - REPLACEMENT WHEEL BEARING & AXLE



PART NO:	PACK TYPE:	INNER CARTON QUANTITY:	OUTER CARTON QUANTITY:
SW10B	BULK	25	50

10" Jockey Wheel Bearing Replacement



PART NO:	PACK TYPE:	INNER CARTON QUANTITY:	OUTER CARTON QUANTITY:
JWSHFT10	BULK	N/A	50

10" Jockey Wheel Axle Bolt & Nut

JOCKEY WHEELS - REPLACEMENT HANDLES



PART NO:	SUITS:	PACK TYPE:	INNER CARTON QUANTITY:	OUTER CARTON QUANTITY:
HDL50B	STANDARD	BLISTER	10	50
HDL57	HEAVY DUTY	BULK	N/A	20
JWPWH	PREMIUM	BULK	N/A	20

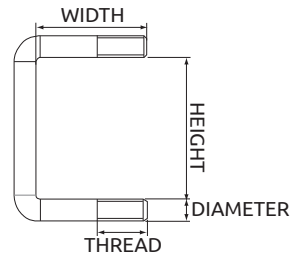
Standard Jockey Wheel Handle
Suits standard 6", 8" and 10" jockey wheels.



PART NO:	PACK TYPE:	INNER CARTON QUANTITY:	OUTER CARTON QUANTITY:
JWPH	BULK	N/A	20

Premium Jockey Wheel Swivel Handle
Suits premium 6", 8" and 10" jockey wheels.

JOCKEY WHEELS - MOUNTING U-BOLTS

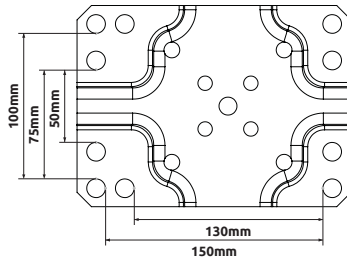


PART NO:	FINISH:	PACK TYPE:	HEIGHT (mm)	WIDTH (mm)	THREAD LENGTH (mm)	DIAMETER (mm)	SUITS DRAWBARS (mm)	INNER CARTON QUANTITY:	OUTER CARTON QUANTITY:
UB2	ZINC	BULK	50	75	45	12	50x50	N/A	25
UB2B	ZINC	BLISTER	50	75	45	12	50x50	10	20
UB2G	GALVANISED	BULK	50	75	45	12	50x50	N/A	25
UB3	ZINC	BULK	75	75	45	12	75x50	N/A	25
UB3B	ZINC	BLISTER	75	75	45	12	75x50	10	20
UB3G	GALVANISED	BULK	75	75	45	12	75x50	N/A	25
UB32B	ZINC	BLISTER	75	60	25	12	75x35	10	20
UB33	ZINC	BULK	75	100	45	12	75x75	N/A	25
UB33B	ZINC	BLISTER	75	100	45	12	75x75	10	20
UB33G	GALVANISED	BULK	75	100	45	12	75x75	N/A	25
UB4	ZINC	BULK	100	75	45	12	100x50	N/A	25
UB4B	ZINC	BLISTER	100	75	45	12	100x50	10	20
UB4G	GALVANISED	BULK	100	75	45	12	100x50	N/A	25
UB5	ZINC	BULK	125	75	45	12	125x50	N/A	25
UB6	ZINC	BULK	150	75	45	12	150x50	N/A	25

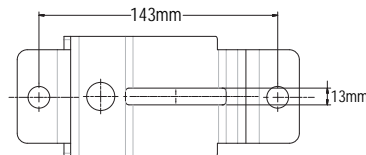
Jockey Wheel Mounting U-bolts
U-bolts, with nuts and spring washers, all supplied as a set of 2.

JOCKEY WHEELS - REPLACEMENT CLAMPS

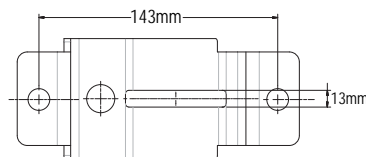
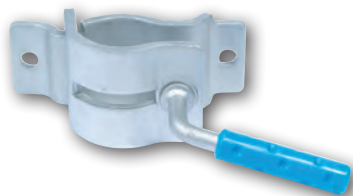
**NEW
PRODUCT**



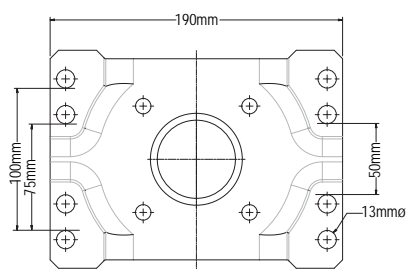
PART NO:	PACK TYPE:	INNER CARTON QUANTITY:	OUTER CARTON QUANTITY:
JWSC48	BULK	N/A	4
Adjustable Swivel Clamp Suits 48mm tube, 350kg jockey wheels.			



PART NO:	PACK TYPE:	INNER CARTON QUANTITY:	OUTER CARTON QUANTITY:
FCL50	DISPLAY	1	25
Fixed Clamp Bolt-on or Weld-on Suits 48mm tube, 350kg jockey wheels.			

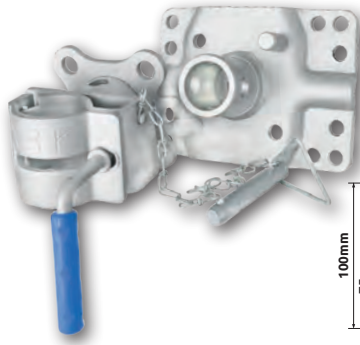


PART NO:	PACK TYPE:	INNER CARTON QUANTITY:	OUTER CARTON QUANTITY:
FCL2HD	BULK	N/A	10
Heavy Duty Fixed Clamp Bolt-on or Weld-on Suits 57mm tube, 500kg jockey wheels.			

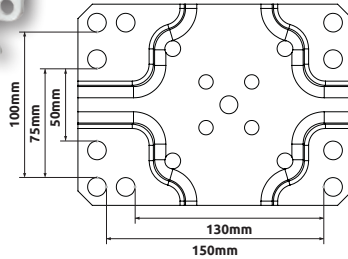


PART NO:	PACK TYPE:	INNER CARTON QUANTITY:	OUTER CARTON QUANTITY:
FCL8	BULK	N/A	10
Fixed Clamp 8 Hole, Bolt-on or Weld-on Suits 48mm tube, 350kg jockey wheels.			

JOCKEY WHEELS - REPLACEMENT CLAMPS



NEW PRODUCT



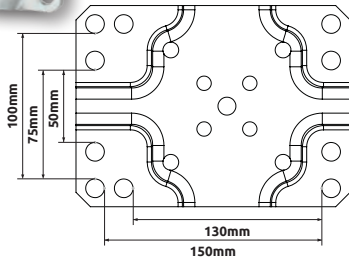
PART NO:	PACK TYPE:	INNER CARTON QUANTITY:	OUTER CARTON QUANTITY:
----------	------------	------------------------	------------------------

JWSC57	BULK	N/A	4
---------------	------	-----	---

Adjustable Swivel Clamp - Tube Mount Base
Suits 57mm tube, 500kg jockey wheels.



NEW PRODUCT



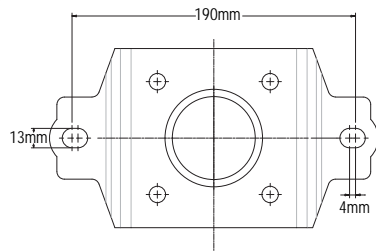
PART NO:	PACK TYPE:	SUITS:	INNER CARTON QUANTITY:	OUTER CARTON QUANTITY:
----------	------------	--------	------------------------	------------------------

TB750T	BULK	XO750T	N/A	8
---------------	------	--------	-----	---

TB750TB	BULK	XO750TB	N/A	8
----------------	------	---------	-----	---

TMCL8	BULK	JS227	N/A	12
--------------	------	-------	-----	----

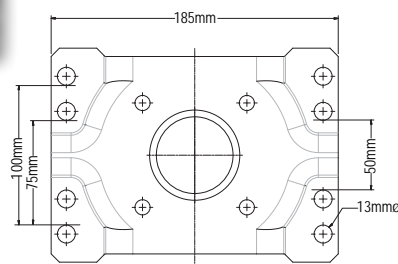
Tube Mount Clamp
Replacement tube mount clamp, 8 hole to suit most drawbars



PART NO:	PACK TYPE:	INNER CARTON QUANTITY:	OUTER CARTON QUANTITY:
----------	------------	------------------------	------------------------

SCL2	BULK	N/A	10
-------------	------	-----	----

Swivel Clamp 2 Hole, Bolt-on or Weld-on
Suits 48mm tube, 350kg jockey wheels.



PART NO:	PACK TYPE:	INNER CARTON QUANTITY:	OUTER CARTON QUANTITY:
----------	------------	------------------------	------------------------

SCL8	BULK	N/A	10
-------------	------	-----	----

Swivel Clamp 8 Hole, Bolt-on or Weld-on
Suits 48mm tube, 350kg jockey wheels.

XO SERIES CORNER STEADIES - DROP DOWN JACK

Traditional corner steadies are primarily designed to stabilize recreational vehicles when stationary, but Ark's innovative XO Series Corner Steadies take functionality to a whole new level. Here's why they're a game-changer:

Dual Functionality: Unlike standard corner steadies, our XO Series offers a dual functionality. Not only do they provide rock-solid stability when your vehicle is parked, but they can also serve as reliable jacks for essential tasks like changing tires or aiding in recovery situations. This versatility ensures you're always prepared for any situation.

Impressive Load Rating: Each XO Series Corner Steady is rated to an impressive 875Kgs*. With four XO Series Corner Steadies, you can confidently support vehicles or trailers weighing up to 3500Kgs. This robust load capacity ensures safety and reliability.

Easy Retrofit: Every XO Series Corner Steady comes with a chassis mount bracket, simplifying installation. Furthermore, they share the same bolt hole spacing as standard corner steadies available on the market. This means you can easily retrofit the XO Series Corner Steadies onto most recreational vehicles, enhancing their functionality without extensive modifications.

The XO Series Corner Steadies from Ark redefine stability and versatility for your recreational vehicle. Whether you're camping, parking, or in need of emergency support, these corner steadies have you covered.



PART NO:	FINISH:	PACK TYPE:	CLOSED LENGTH:	EXTENDED LENGTH:	INNER CARTON QUANTITY:	OUTER CARTON QUANTITY:
XODDS650	ZINC	BULK - SINGLE	500mm	650mm	N/A	2
XODDS650D	ZINC	DISPLAY - SET OF 2	500mm	650mm	N/A	1
XODDS850	ZINC	BULK - SINGLE	596mm	850mm	N/A	2
XODDS850D	ZINC	DISPLAY - SET OF 2	596mm	850mm	N/A	1
XODDS650B	BLACK POWDERCOAT / ZINC	BULK - SINGLE	500mm	650mm	N/A	2
XODDS650BD	BLACK POWDERCOAT / ZINC	DISPLAY - SET OF 2	500mm	650mm	N/A	1
XODDS850B	BLACK POWDERCOAT / ZINC	BULK - SINGLE	596mm	850mm	N/A	2
XODDS850BD	BLACK POWDERCOAT / ZINC	DISPLAY - SET OF 2	596mm	850mm	N/A	1

XO Series Corner Steady and Jacks

Dual function drop down corner steady and jack, 19mm hex drive can be driven by winding handle or impact driver



NOTE: Ark products are covered under consumer law outlined in its warranty policy available online www.arkcorporation.com/warranty-claim-policy/. Ark does not warrant the workmanship of welders, fabricators or recreational vehicle manufacturers. Checks should be made with the recreational vehicle manufacturer as to whether the recreational vehicle can handle the twisting forces of jacking from each corner.

CORNER STEADIES - DROP DOWN



Ark drop down corner steadies feature a locking swivel bracket and large grip handle for comfortable and easy swivelling. There is also a large flat load bearing foot ideal for soft ground. Large foot locks away and silencer pads reduce noise caused by vibration.



PART NO:	FINISH:	PACK TYPE:	EXTENDED LENGTH:	INNER CARTON QUANTITY:	OUTER CARTON QUANTITY:
DDS550	ZINC	BULK	550mm	N/A	4
DDS600	ZINC	BULK	600mm	N/A	4
DDS600B	BLACK ZINC / POWDER COAT	BULK	600mm	N/A	4
DDS750	ZINC	BULK	750mm	N/A	4
DDS750B	BLACK ZINC / POWDER COAT	BULK	750mm	N/A	4

Drop Down Corner Steady
Hex drive. Available in silver zinc or black zinc / powder coat finish.

Note: These corner steadies are not designed to lift the trailer or caravan off the ground. They are designed to stabilise the trailer or caravan when stationary.

CORNER STEADIES - WIND DOWN



PART NO:	FINISH:	PACK TYPE:	EXTENDED LENGTH:	INNER CARTON QUANTITY:	OUTER CARTON QUANTITY:
CS500	ZINC	BULK	500mm	N/A	4
CS700	ZINC	BULK	700mm	N/A	4

Standard Corner Steady
Hex drive wind down style

Note: These corner steadies are not designed to lift the trailer or caravan off the ground. They are designed to stabilise the trailer or caravan when stationary.

CORNER STEADIES - WINDING HANDLE



PART NO:	FINISH:	PACK TYPE:	EXTENDED LENGTH:	INNER CARTON QUANTITY:	OUTER CARTON QUANTITY:
CSH55	ZINC	BULK	550mm	N/A	20
CSH55B	BLACK ZINC	BULK	550mm	N/A	20
CSH90	ZINC	BULK	900mm	N/A	20

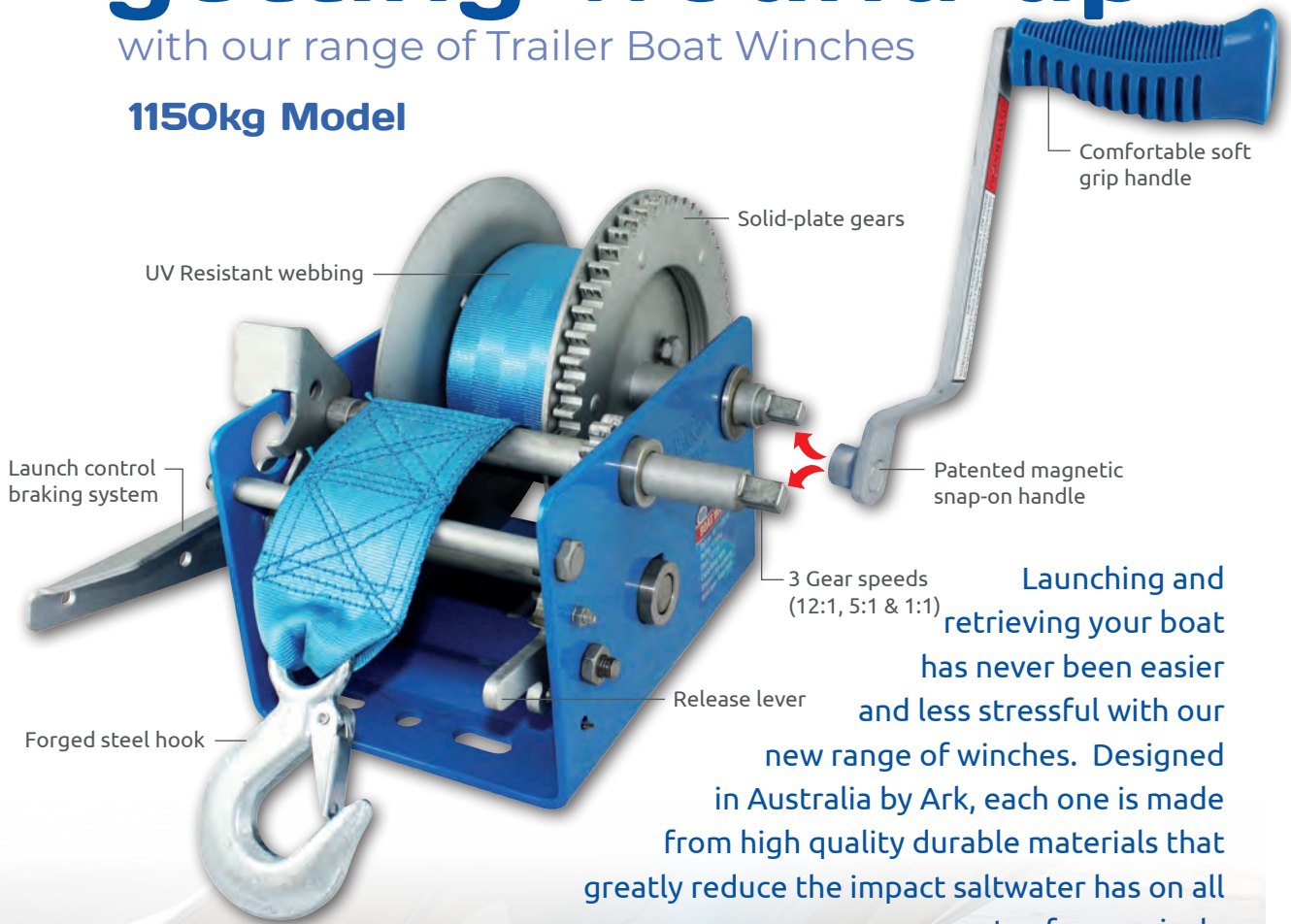
3/4" Hex Drive Winding Handle
To suit corner steadies

BOAT WINCHES

Wind in, without getting wound up

with our range of Trailer Boat Winches

1150kg Model



Launch control braking system

UV Resistant webbing

Solid-plate gears

Comfortable soft grip handle

Patented magnetic snap-on handle

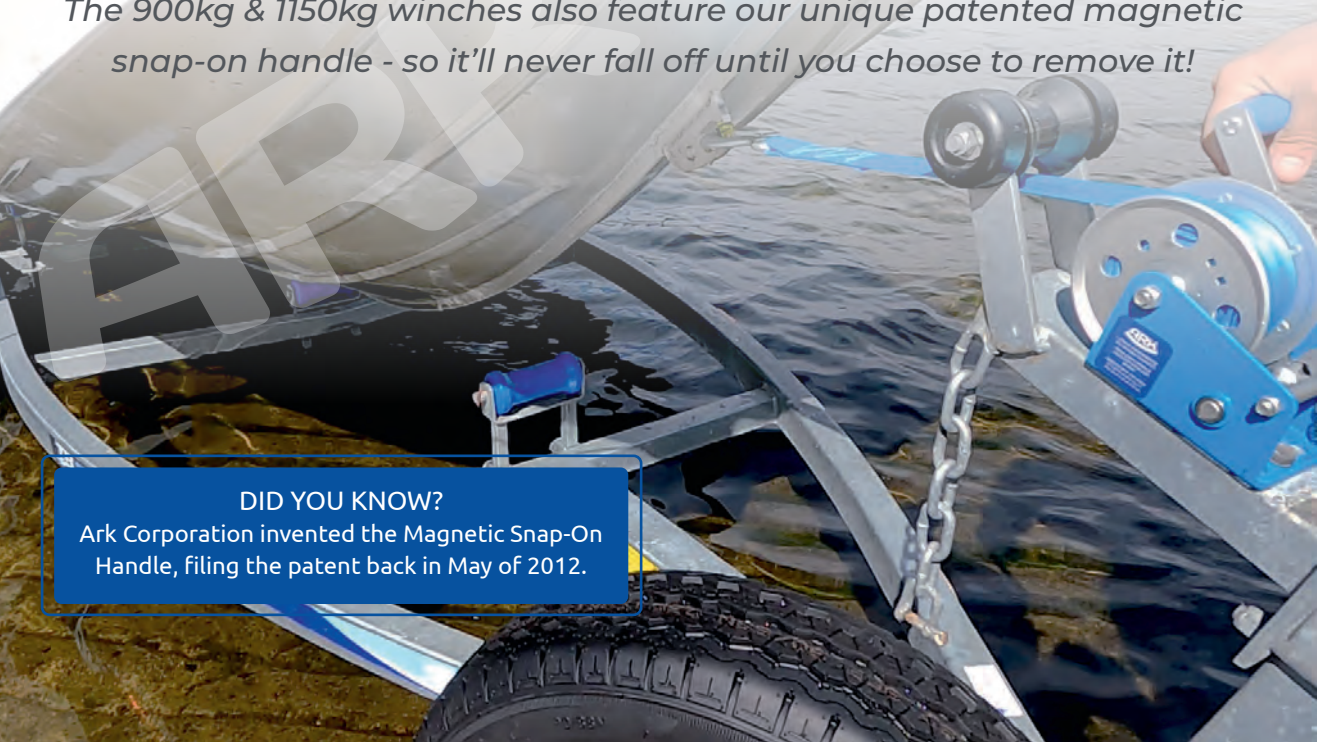
3 Gear speeds (12:1, 5:1 & 1:1)

Release lever

Forged steel hook

Launching and retrieving your boat has never been easier and less stressful with our new range of winches. Designed in Australia by Ark, each one is made from high quality durable materials that greatly reduce the impact saltwater has on all components of your winch.

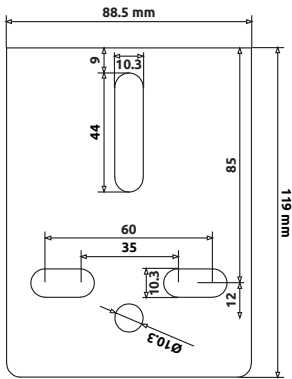
The 900kg & 1150kg winches also feature our unique patented magnetic snap-on handle - so it'll never fall off until you choose to remove it!



DID YOU KNOW?
Ark Corporation invented the Magnetic Snap-On Handle, filing the patent back in May of 2012.

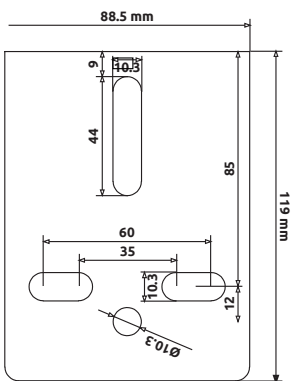
SECTION 2 / TRAILER PARTS

BOAT WINCHES



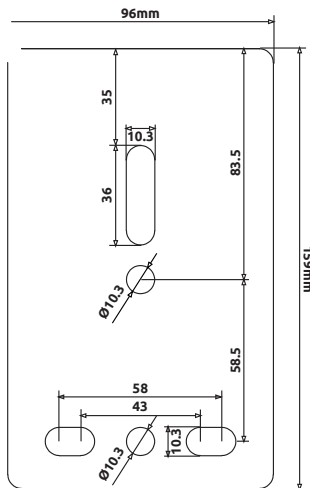
PART NO:	PACK TYPE:	LINE TYPE:	INNER CARTON QUANTITY:	OUTER CARTON QUANTITY:
W273C	DISPLAY CARTON	CABLE 4mm x 6m	1	4
W273W	DISPLAY CARTON	WEBBING 50mm x 4.5m	1	4

3:1 - 275kg
Stainless steel springs & bushes, solid plate gears, multi-fit base and stainless steel S hook



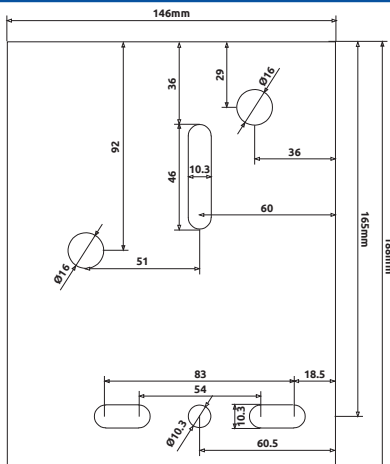
PART NO:	PACK TYPE:	LINE TYPE:	INNER CARTON QUANTITY:	OUTER CARTON QUANTITY:
W654W	DISPLAY CARTON	WEBBING 50mm x 6m	1	4

4:1 - 650kg
Stainless steel springs & bushes, solid plate gears, multi-fit base and forged steel snap-on hook



PART NO:	PACK TYPE:	LINE TYPE:	INNER CARTON QUANTITY:	OUTER CARTON QUANTITY:
W905W	DISPLAY CARTON	WEBBING 50mm x 7.5m	1	4

5:1 / 1:1 - 900kg
Launching control brake system. Stainless steel springs & bushes, solid plate gears, multi-fit base, forged steel snap-on hook and magnetic soft grip handle.



PART NO:	PACK TYPE:	LINE TYPE:	INNER CARTON QUANTITY:	OUTER CARTON QUANTITY:
W115125W	DISPLAY CARTON	WEBBING 65mm x 7.5m	1	2

12:1 / 5:1 / 1:1 - 1150kg
Launching control brake system. Stainless steel springs & bushes, solid plate gears, multi-fit base, forged steel snap-on hook and magnetic soft grip handle.

BOAT WINCHES - REPLACEMENT PARTS


PART NO:	PACK TYPE:	RATING:	SIZE:	HOOK TYPE:	INNER CARTON QUANTITY:	OUTER CARTON QUANTITY:
DRS46B	BLISTER	1300kg	4mm x 6m	Stainless S	N/A	20
DRF56B	BLISTER	2300kg	5mm x 6m	Forged Snap	N/A	20
DRF675B	BLISTER	3500kg	5mm x 7.5m	Forged Snap	N/A	20

Dyneema Rope
Heavy duty, high breaking strain. Suitable for boat winches



PART NO:	PACK TYPE:	RATING:	SIZE:	HOOK TYPE:	INNER CARTON QUANTITY:	OUTER CARTON QUANTITY:
SS545B	BLISTER	1870kg	50mm x 4.5m	Stainless S	N/A	20
SF56B	BLISTER	1870kg	50mm x 6m	Forged Snap	N/A	20
SF6575B	BLISTER	2350kg	65mm x 7.5m	Forged Snap	N/A	20

Trailer Winch Strap
Heavy duty, UV and chemical resistant. Suitable for boat winches



PART NO:	PACK TYPE:	INNER CARTON QUANTITY:	OUTER CARTON QUANTITY:
WH210B	BLISTER	N/A	10

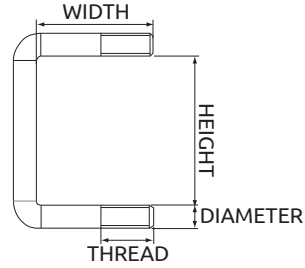
Boat Winch Handle
Magnetic handle. Ideal when changing gears. Rust resistant. Soft handle grip. Suitable for Ark winch models: W905W & W115125W

WINCH POST CAPS


PART NO:	PACK TYPE:	SIZE:	INNER CARTON QUANTITY:	OUTER CARTON QUANTITY:
WPC50	BULK	50mm x 50mm	N/A	100
WPC75	BULK	75mm x 50mm	N/A	50
WPC100	BULK	100mm x 50mm	N/A	25

Winch Post Caps
Blue plastic winch post cap, keeps dirt and water out of post and covers unfinished sharp edges.

U-BOLTS - WINCH BRACKET SUPPORT

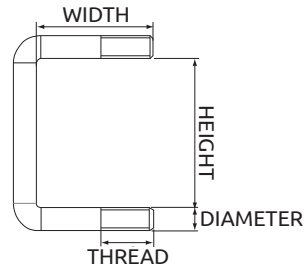


PART NO:	FINISH:	PACK TYPE:	HEIGHT (mm)	WIDTH (mm)	THREAD LENGTH (mm)	DIAMETER (mm)	SUITS WINCH POST (mm)	INNER CARTON QUANTITY:	OUTER CARTON QUANTITY:
UB23G	GALVANISED	BULK	50	100	50	12	50x75	N/A	25
UB24G	GALVANISED	BULK	50	125	50	12	50x100	N/A	25
UB33G	GALVANISED	BULK	75	100	50	12	75x75	N/A	25
UB44G	GALVANISED	BULK	100	125	50	12	100x100	N/A	25

Winch Bracket Support U-bolts

U-bolts, with nuts and spring washers, all supplied as a set of 2.

U-BOLTS - MAIN RAIL



PART NO:	FINISH:	PACK TYPE:	HEIGHT (mm)	WIDTH (mm)	THREAD LENGTH (mm)	DIAMETER (mm)	SUITS MAIN RAILS (mm)	INNER CARTON QUANTITY:	OUTER CARTON QUANTITY:
MRUB2G	GALVANISED	BULK	60	80	50	12	50x50	N/A	25
MRUB3G	GALVANISED	BULK	60	110	50	12	50x75	N/A	25
MRUB4G	GALVANISED	BULK	60	135	50	12	50x100	N/A	25

Boat Trailer Main Rail U-bolts

U-bolts, with nuts and spring washers, all supplied as a set of 2.

BOAT ROLLER WASHERS & SPLIT PINS



PART NO:	PACK TYPE:	INNER CARTON QUANTITY:	OUTER CARTON QUANTITY:
SPW6B	BLISTER	10	100

Boat Roller Washers & Split Pins

Rust proof. 6 x stainless steel washers. 6 x stainless steel split pins. Suits 16mm to 18mm spindle.

EZI-GUIDE - BOAT LOADING SYSTEM

Easy boat retrieval whatever the weather!



With the Ark **EZIGUIDE** SELF-ALIGNING BOAT LOADING SYSTEM

Strong winds, current or rough water will no longer be an obstacle for launching and loading your boat. The Ezi-Guide will simplify launching or loading and will always guide your boat safely to the centre of your trailer.

- Solo launching and loading
- Avoid loading your boat off the rollers and damaging your boat
- U-bolt Ezi-Mount system (no power tools or drilling required)
- Slotted mounting bracket to suit 50 - 75mm cross beams
- 50mm U-bolts supplied
- Rust resistant dacromet finish



PART NO:	PACK TYPE:
EG10	DISPLAY CARTON
Suits power boats - 4.2 to 4.8m (14 to 16ft) & sailboats - 4.8 to 6.0m (16 to 20ft)	

PART NO:	PACK TYPE:
EG11	DISPLAY CARTON
Suits power boats - 4.8 to 6.0m (16 to 20ft) & sailboats - 6.0 to 8.5m (20 to 28ft)	

PART NO:	PACK TYPE:
EG13	DISPLAY CARTON
Suits power boats - 6.0 to 8.5m (20 to 28ft)	

Retrieving your Boat

Ezi-Guides are a self-aligning boat loading system and can be used in either winch on or drive on retrievals.

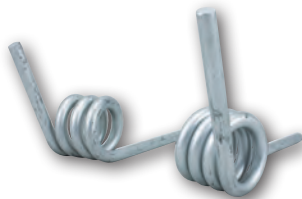
Tide direction and wind speed should be taken into consideration and extra care should always be taken when loading the boat in these conditions. When driving the boat onto the trailer, boat entrance speed and direction of travel are important factors to consider, misaligning the hull with the centre of the Ezi-Guide can cause damage to both the Ezi-Guide and the hull of the boat.

(ARK Corporation Pty Ltd is not liable for any damage sustained to the boat hull on improper use, excessive boat speed or misalignment)

For maximum efficiency when loading the boat

- Reverse the trailer into the water until the last keel roller is level with the water, any deeper will lose the effectiveness of the Ezi-Guide system.
- Drive the boat towards the trailer, recommended approach is IDLING* speed
- Align the bow with the centre of the Ezi-Guide systems and drive boat onto trailer
- Fit winch strap and safety chain

*IDLING speed is when the throttle is just clicked forward of neutral

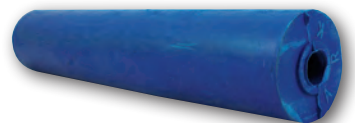


PART NO:	PACK TYPE:	SUITS:
EG8-SPR	BULK	EG8
EG10-SPR	BULK	EG10
EG11-SPR	BULK	EG11
EG13-SPR	BULK	EG13

Replacement springs. Set of 2 Left & Right



PART NO:	PACK TYPE:
EG-TR45	BULK
Top roller to suit Ezi-Guide.	



PART NO:	PACK TYPE:
EG-LR45	BULK
Large roller to suit Ezi-Guide.	

EZI-GUIDE - FITTING INSTRUCTIONS COMPATIBLE WITH EZI-GUIDE MODELS EG10, EG11 AND EG13.

Tools required: Marker & 19mm socket or spanner

Ezi-Guide suits both 50mm and 75mm trailer cross members. U-bolts supplied suit 50mm x 50mm cross members only, additional U-bolts need to be purchased for larger 75mm cross members. **NOTE:** Not adhering to these instruction or improper fitment of the Eziguide system can cause damage to the hull of a boat! (ARK Corporation Pty Ltd is not liable for any damage sustained to the boat hull, check top rollers are not resting on or in contact with any strakes or chines before operating)

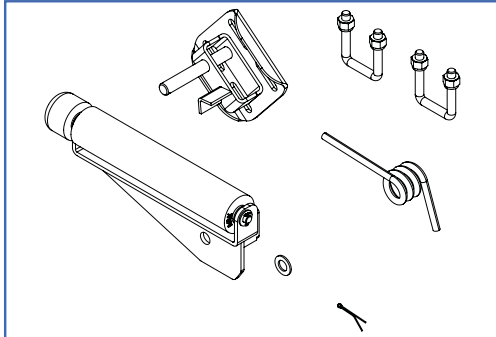


DIAGRAM 1

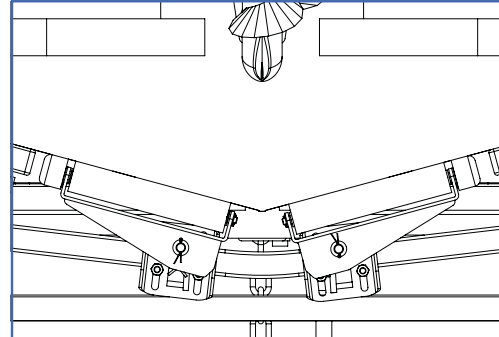


DIAGRAM 2

- 1.) Begin with the Ezi-Guide LEFT side.
Remove split pin, washer, spring and mounting bracket from the roller arm (refer Diagram. 1)
- 2.) Reassemble the Ezi-Guide without the spring.
- 3.) Place mounting bracket against trailer cross member as close to the keel roller and align the roller arm against the bottom of the hull (refer Diagram. 2)

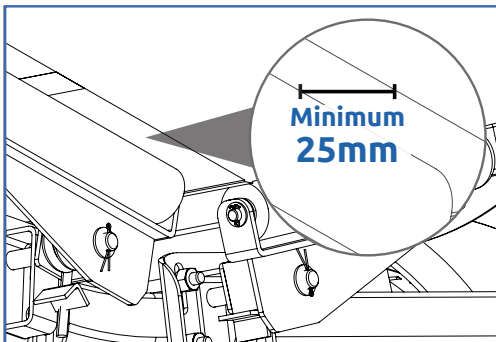


DIAGRAM 3

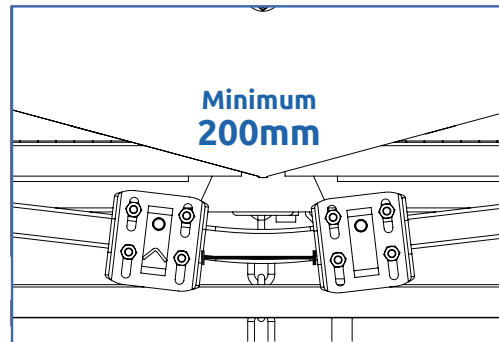


DIAGRAM 4

- 4.) Ensure that the distance from the roller arm and the back of the boat is minimum 25mm (refer Diagram. 3)
- 5.) Minimum distance between the LEFT and RIGHT mounting bracket is 200mm (refer Diagram. 4) the mounting brackets can be adjusted further outward based on the hull design and strake locations but mounting the brackets too far apart will lose the effectiveness of the Ezi-Guide system.

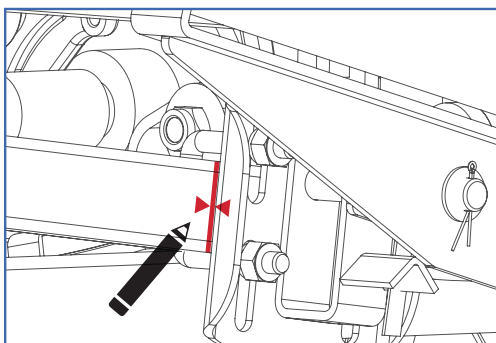


DIAGRAM 5

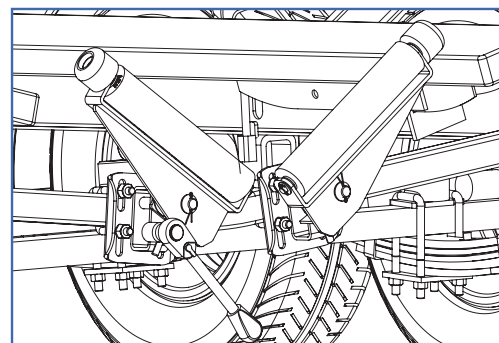
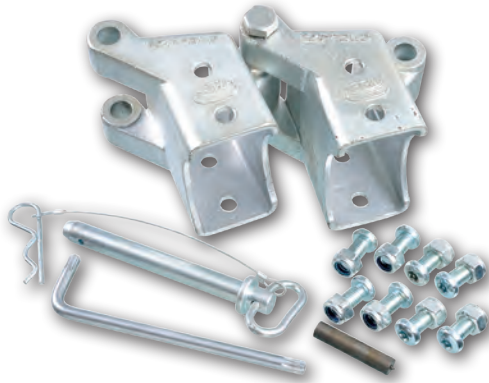


DIAGRAM 6

- 6.) At the outer edge of the mounting bracket, mark a vertical line against the trailer cross member then mark an arrow > against this line on the cross member and another arrow < on the mounting bracket for alignment reference when fitting the Ezi-Guide at the boat ramp (refer Diagram. 5)
- 7.) Reassemble the Ezi-Guide LEFT side with the spring.
- 8.) Repeat Step 1 – 7 for the Ezi-Guide RIGHT side.
- 9.) Install the Ezi-Guide at a boat ramp as the boat should be off the trailer. Using the vertical line and arrows marked previously, align Ezi-Guide mounting brackets with marks and mount with U-bolts and tighten nuts utilising a 19mm socket or spanner (refer Diagram. 6)
- 10.) Make a test run and ensure roller arms are against the bottom of the hull as originally set and the top roller is not resting on or in contact with any strakes or chines.
- 11.) Adjustments can be made when the boat is off the trailer again, mounting brackets can be adjusted in all directions.

EZI-FOLD - BOAT TRAILER DRAWBAR HINGE
Features:

- Converts standard fixed trailer drawbars into a folding drawbar
- Enables up to 1150mm* of the drawbar to fold away allowing boat trailer to fit in smaller garages
- Professional cast steel finish that hides any cut surfaces
- Easy DIY installation



PART NO:	PACK TYPE:	FINISH:	SUITS DRAWBARS (mm)
EFH75ZD	CARTON	ZINC	75 x 75
EFH100ZD	CARTON	ZINC	100 x 100
EFH105ZD	CARTON	ZINC	100 x 50

Ezi-fold Trailer Drawbar Hinge
Mounting hardware included

Maximum Pivot Chart for EFH75ZD

GVM (kgs)	Max. Towball Weight (kgs)	Max. Pivot Length (mm)
2500	250	450
2350	235	550
2200	220	650
2050	205	750
1900	190	850
1750	175	950

Maximum Pivot Chart for EFH100ZD

GVM (kgs)	Max. Towball Weight (kgs)	Max. Pivot Length (mm)
3500	350	650
3350	335	750
3200	320	850
3050	305	950
2900	290	1050
2750	275	1150

Maximum Pivot Chart for EFH105ZD

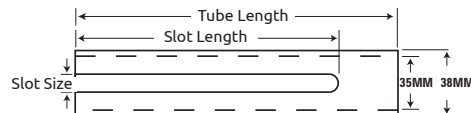
GVM (kgs)	Max. Towball Weight (kgs)	Max. Pivot Length (mm)
2000	200	450
1850	185	550
1700	170	650
1550	155	750
1400	140	850
1250	125	950

*Boat Trailer GVM and drawbar folding lengths may differ, always refer to the Maximum Pivot Chart for GVM to Pivot lengths ratios.

OUTBOARD MOTOR FLUSHERS


PART NO:	PACK TYPE:	SHAPE:	SIZE:	INNER CARTON QUANTITY:	OUTER CARTON QUANTITY:
OMF95B	BLISTER	ROUND	95mm	N/A	10
OMF110B	BLISTER	OVAL	85mm x 110mm	N/A	10
OMF125B	BLISTER	RECTANGLE	85mm x 125mm	N/A	10

Outboard Motor Flusher
Universal earmuff flusher.

OUTBOARD MOTOR LOCKS


PART NO:	PACK TYPE:	TUBE LENGTH:	SLOT SIZE:	SLOT LENGTH:	INNER CARTON QUANTITY:	OUTER CARTON QUANTITY:
OML170B	BLISTER	200mm	12mm	170mm	10	20
OML225B	BLISTER	255mm	14mm	225mm	10	20

Outboard Motor Lock
Stainless steel lock and tube, simple and easy to use, two keys included
OML170B - suits small to medium outboard motors
OML225B - suits medium to large outboard motors

WHEEL LOCK



PART NO:	PACK TYPE:	INNER CARTON QUANTITY:	OUTER CARTON QUANTITY:
WLJ300D	DISPLAY	1	6

Wheel Lock Jaw, upgraded model

A must for securing your trailer anywhere, hardened steel resists cutting, ratchet adjusts to most wheel sizes, rubber coated arms to protect wheel finishes, fits wheels 13" - 17" in size and tyres from 140mm to 285mm.

TRAILER "T" LOCK



PART NO:	PACK TYPE:	INNER CARTON QUANTITY:	OUTER CARTON QUANTITY:
TL120Z	BULK	N/A	20

Trailer "T" Lock

Ideal use for locking your tradesman canopies or toolboxes, the Ark Trailer "T" Lock has a long lasting zinc finish and the lock is protected from the ingress of dust and water with a rubber cover.

COUPLING SECURITY LOCKS



PART NO:	PACK TYPE:	INNER CARTON QUANTITY:	OUTER CARTON QUANTITY:
CPL10	DISPLAY	2	10

Trailer Coupling Lock

Heavy duty 2 position locking system. Secures trailer when attached to vehicle and when unattached. Suits standard on-road ball couplings. Includes padlock.



PART NO:	PACK TYPE:	INNER CARTON QUANTITY:	OUTER CARTON QUANTITY:
ATL15	BLISTER	5	10

Trailer Lock

Heavy duty in-built double locking mechanism. Secures trailer when attached to vehicle and when unattached. Suits standard on-road and XO Series off-road ball couplings. Chrome plated finish.

PART NO:	PACK TYPE:	INNER CARTON QUANTITY:	OUTER CARTON QUANTITY:
ATL155	BLISTER	5	10

Trailer and Tow Bar Locks

Separate trailer and hitch pin locks. Heavy duty trailer lock has double locking system. Secures trailer when attached to vehicle and when unattached. Hitch Pin Lock prevents tow bar hitch from theft. One key fits both locks. Chrome plated finish. (Hitch Pin Lock: Towing rating 3500kg)

TRAILER COUPLINGS - XO SERIES

NO-SWITCH, QUICK-HITCH OFF-ROAD COUPLING



Utilise your 50mm tow ball for both standard and off-road towing applications without the need to switch your hitch. The unique safety latch system allows for easy use, just lift the safety latch and the coupling automatically locks over the tow ball. The red or green indicator will signal whether the coupling is locked on the tow ball and safe to tow.



ORXOF50R



ORXOF50



PART NO.	PACK TYPE	FINISH	PARK BRAKE	SUITS BOLTS:	INNER CARTON QUANTITY:	OUTER CARTON QUANTITY:
ORXOF50R	BULK	ZINC / POWDER COAT	RATCHET	CMB141/CMB201	N/A	2
ORXOF50	BULK	ZINC / POWDER COAT	SOLD SEPERATELY	CMB141	N/A	2
ORXOF50D	DISPLAY INC. TOW BALL	ZINC / POWDER COAT	SOLD SEPERATELY	CMB141	N/A	1

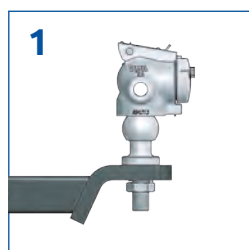
3.5 Ton. Off-road Coupling

Suits Electric brake system and fits over a 50mm tow ball. Complies to AS4177.3-2004.

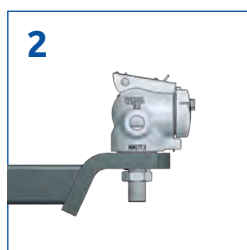
XO Series Couplings will make your next adventure safe, simple and enjoyable

EASY AND QUICK-HITCH LOCKING SYSTEM

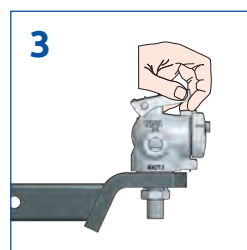
Fits over 50mm tow balls that comply with Australian Standards AS4177.2 except for 50mm tow balls with a flat flange



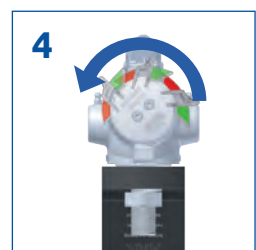
Align coupling head over tow ball



Lower coupling head over tow ball



Raise safety catch lever to engage auto-locking



Coupling automatically locks onto tow ball

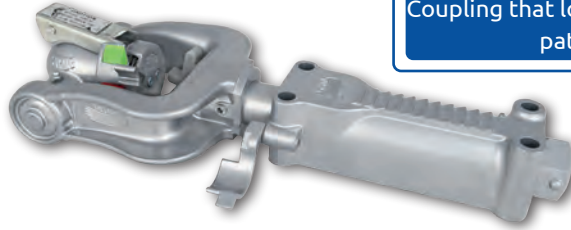
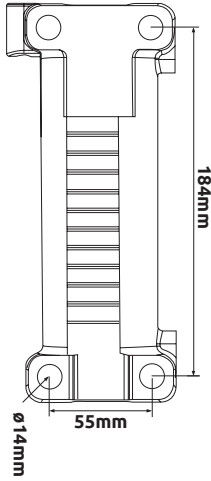
PATENT PROTECTED

SECTION 2 / TRAILER PARTS

TRAILER COUPLINGS - XO SERIES

Whether you are looking to improve your off-road capability, or just tired of constantly switching between an off road hitch and a standard ball hitch, then the Ark Extreme Off-road Coupling is for you! Thoroughly tested and continually improved, the XO coupling range is now **PRE-ZINCED** and then powder coated for a robust and long lasting finish that will tackle any terrain.

DID YOU KNOW?
Ark Corporation invented the first Off-Road Coupling that locks over the entire towball, filing the patent back in April of 2013.



PART NO:	FINISH:	PACK TYPE:	SUITS BOLTS:	INNER CARTON QUANTITY:	OUTER CARTON QUANTITY:
ORXO50	POWDER COAT	BULK	CMB141	N/A	2
ORXO50D	POWDER COAT	DISPLAY INC. TOW BALL	CMB141	N/A	1

2 Ton. Off-road Coupling
Suits mechanical and hydraulic brake systems and fits over a 50mm tow ball.
Complies to AS4177.3-2004

TRAILER COUPLINGS - XO SERIES - ACCESSORIES



PART NO:	PACK TYPE:	INNER CARTON QUANTITY:	OUTER CARTON QUANTITY:
ORXOLL	BULK	N/A	50

Rotary Locking Latch with Spring
Replacement part for XO Series Coupling



PART NO:	PACK TYPE:	INNER CARTON QUANTITY:	OUTER CARTON QUANTITY:
ORXOLP	BULK	N/A	50

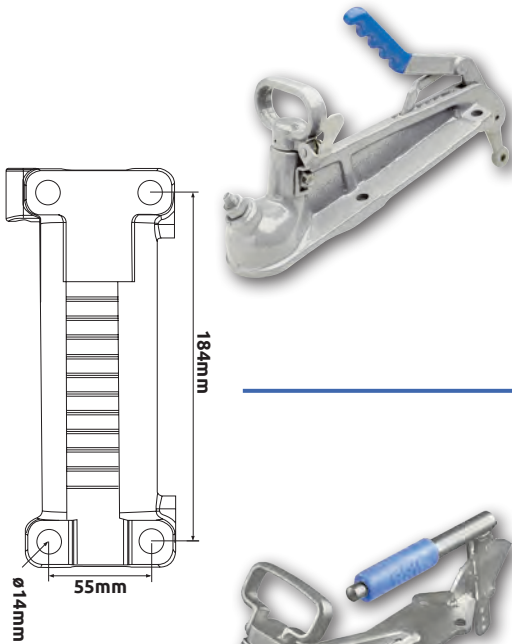
Internal Rotary Lock Pin
Replacement part for XO Series Coupling



PART NO:	PACK TYPE:	INNER CARTON QUANTITY:	OUTER CARTON QUANTITY:
ORXOYHR	BULK	N/A	50

Yoke Head Rest
Replacement part for XO Series Coupling

TRAILER COUPLINGS (50mm)



PART NO:	FINISH:	SUITS BOLTS:	INNER CARTON QUANTITY:	OUTER CARTON QUANTITY:
EC35Z	ZINC PLATED	CMB151	N/A	2

3500kg Electric 50mm coupling with adjustable screw, padlock facility & parkbrake. Complies to AS4177.3 - 2004.

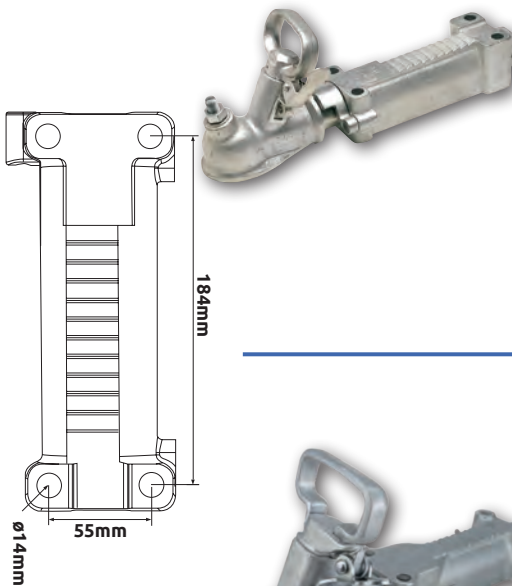


PART NO:	FINISH:	SUITS BOLTS:	INNER CARTON QUANTITY:	OUTER CARTON QUANTITY:
EC35RZ	ZINC PLATED	CMB141/CMB201	N/A	2

3500kg Electric 50mm coupling with ratchet parkbrake and padlock facility. Complies to AS4177.3-2004.



TRAILER COUPLINGS - OVER-RIDE (50mm)



PART NO:	FINISH:	SUITS BOLTS:	INNER CARTON QUANTITY:	OUTER CARTON QUANTITY:
ORC50	PAINTED	CMB141	N/A	2
ORC50G	GALVANISED	CMB141	N/A	2
ORC50Z	ZINC PLATED	CMB141	N/A	2

2000kg Mechanical over-ride 50mm Coupling fitted with reversing lock and padlock facility. Complies to AS4177.3 - 2004.

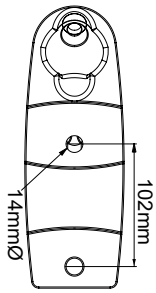


PART NO:	FINISH:	SUITS BOLTS:	INNER CARTON QUANTITY:	OUTER CARTON QUANTITY:
ORC25Z	ZINC PLATED	CMB141	N/A	2

2500kg Mechanical over-ride 50mm Coupling fitted with reversing lock and padlock facility. Low profile fold down handle. Complies to AS4177.3 - 2004.

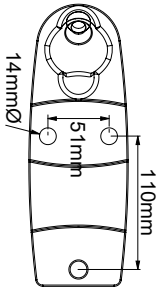


TRAILER COUPLINGS (50mm)



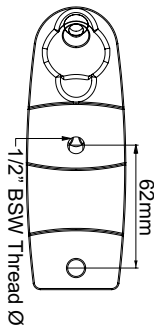
PART NO:	FINISH:	SUITS BOLTS:	INNER CARTON QUANTITY:	OUTER CARTON QUANTITY:
CAS22	PAINTED	CMB151	N/A	5
CAS22Z	ZINC	CMB151	N/A	5

2000kg Quick Release 50mm Coupling, with adjustable screw and built-in padlock facility. 2 hole mounting. Complies to AS4177.3 - 2004.



PART NO:	FINISH:	SUITS BOLTS:	INNER CARTON QUANTITY:	OUTER CARTON QUANTITY:
CAS32	PAINTED	CMB151	N/A	5
CAS32Z	ZINC	CMB151	N/A	5

2000kg Quick Release 50mm Coupling, with adjustable screw and built-in padlock facility. 3 hole mounting. Complies to AS4177.3 - 2004.

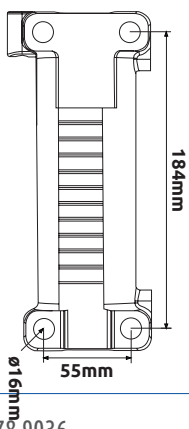


PART NO:	FINISH:	SUITS BOLTS:	INNER CARTON QUANTITY:	OUTER CARTON QUANTITY:
CAB22Z	ZINC	CMB151	N/A	5

2000kg RHS 50mm Coupling, zinc plated, with adjustable screw and built-in padlock facility. Tapped with 1/2" BSW thread, fits 50mm draw bar. 2 hole mounting. Complies to AS4177.3 - 2004.



TRAILER COUPLINGS (70mm)



PART NO:	FINISH:
C4570	PAINTED

70mm 6 tonne fixed ball coupling, with park brake. ADR approved.

TRAILER COUPLINGS - ACCESSORIES


PART NO:	SUITS COUPLING:	PACK TYPE:	INNER CARTON QUANTITY:	OUTER CARTON QUANTITY:
AD550S	CAS22 / CAS32	BULK	N/A	100
AD550	ORC50	BULK	N/A	100
Coupling Adjuster Bolt and Nut				



PART NO:	SUITS COUPLING:	PACK TYPE:	INNER CARTON QUANTITY:	OUTER CARTON QUANTITY:
CSC50	CAS22 / CAS32	BULK	N/A	100
CSC050	ORC50	BULK	N/A	100
Coupling Safety Latch				



PART NO:	SUITS COUPLING:	PACK TYPE:	INNER CARTON QUANTITY:	OUTER CARTON QUANTITY:
RL50	ORC50	BULK	N/A	100
Coupling Reversing Latch Suits all 50mm over-ride couplings.				

TRAILER COUPLINGS - MOUNTING BOLTS


PART NO:	SUITS COUPLING:	FINISH:	PACK TYPE:	LENGTH (inches)	DIAMETER (inches)	INNER CARTON QUANTITY:	OUTER CARTON QUANTITY:
CMB151	CAS22 / CAS32	ZINC	BULK	1½	½	50	200
CMB152B	CAS22	ZINC	BLISTER - SET OF 2	1½	½	25	50
CMB153B	CAS32	ZINC	BLISTER - SET OF 3	1½	½	25	50
CMB201	EC35Z / EC35RZ / ORXOF50R	ZINC	BULK	2	½	50	200
CMB141	ORC50 / ORXOF50 / ORXO50 / ORXOF50R	ZINC	BULK	4	½	25	100
CMB44B	ORC50 / ORXOF50 / ORXO50	ZINC	BLISTER - SET OF 4	4	½	5	25
Coupling Mounting Bolt High tensile Grade 8.8 with nyloc nuts.							

TRAILER SAFETY CHAINS

VSBI states - Trailers must be fitted with safety chains that are marked in accordance with the relevant Australian Standard complying with the following:

- Trailers that do not exceed 2.5 tonnes ATM must have at least one safety chain complying with Australian Standard AS 4177.4-1994 or Australian Standard AS 4177.4-2004 'Caravan and light trailer towing components – Part 4: Safety chains up to 3500kg capacity
- Trailers over 2.5 tonnes and not exceeding 3.5 tonnes ATM must have two safety chains of designation of 3500kg complying with Australian Standard AS 4177.4-1994 or Australian Standard AS 4177.4-2004

Trailer Safety chains are provided in four designations as per the Australian Standard and are referenced according to the aggregate trailer mass. The designations and the corresponding aggregate trailer masses are in in the rating table below.



*Packed in 25kg bags

PART NO:	FINISH:	PACK TYPE:	LENGTH:	RATING:	SIZE:
CHR06	PLAIN	BULK	32m	1000kg	6mm
CHR06Z	ZINC	BULK	32m	1000kg	6mm
CHR08	PLAIN	BULK	21m	1600kg	8mm
CHR08Z	ZINC	BULK	21m	1600kg	8mm
CHR10	PLAIN	BULK	13m	2500kg	10mm
CHR10Z	ZINC	BULK	13m	2500kg	10mm
CHR13	PLAIN	BULK	7m	3500kg	13mm
CHR13Z	ZINC	BULK	7m	3500kg	13mm

6MM	8MM	10MM	13MM
CTA APPROVED CTA - 060742	CTA APPROVED CTA - 060741	CTA APPROVED CTA - 060739	CTA APPROVED CTA - 060738

TRAILER ACCESSORY CHAIN

Non compliant chain used for securing accessories like trailer cage pins or drop down tailgates



*Packed in 20kg bags

PART NO:	FINISH:	PACK TYPE:	LENGTH:	RATING:	SIZE:
CHR03Z	ZINC	BULK	150m	85kg	3mm



HAMMERLOCK SHACKLES

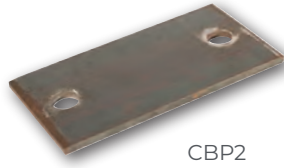
Used as a safe alternative to welding, the hammerlock shackles provide rated attachment of safety chain to the trailer drawbar on a suitable rated safety chain attachment point. Hammerlock shackles suit the XO Coupling Base Plate part no. XOCBPV4



PART NO:	FINISH:	PACK TYPE:	SIZE:	RATING:	SUITS CHAIN:
HLS06	POWDER COAT	BULK	6mm	1120kg	6mm
HLS06B	POWDER COAT	BLISTER	6mm	1120kg	6mm
HLS08	POWDER COAT	BULK	8mm	2000kg	8mm
HLS08B	POWDER COAT	BLISTER	8mm	2000kg	8mm
HLS10	POWDER COAT	BULK	10mm	3150kg	10mm
HLS10B	POWDER COAT	BLISTER	10mm	3150kg	10mm
HLS13	POWDER COAT	BULK	13mm	5300kg	13mm
HLS13B	POWDER COAT	BLISTER	13mm	5300kg	13mm



TRAILER COUPLINGS - BASE PLATES

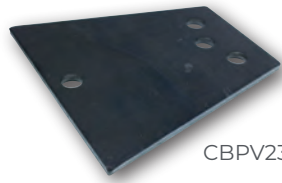


CBP2

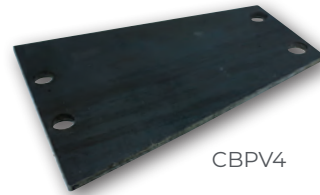


CBP4

PART NO:	SUITS COUPLING:	FINISH:	PACK TYPE:	INNER CARTON QUANTITY:	OUTER CARTON QUANTITY:
CBP2	2 HOLE MOUNTING	PLAIN STEEL	BULK	N/A	25
CBP4	4 HOLE MOUNTING	PLAIN STEEL	BULK	N/A	25
Coupling Base Plate Rectangular shape base plate.					



CBPV23



CBPV4

PART NO:	SUITS COUPLING:	FINISH:	PACK TYPE:	INNER CARTON QUANTITY:	OUTER CARTON QUANTITY:
CBPV23	2 / 3 HOLE MOUNTING	PLAIN STEEL	BULK	N/A	25
CBPV4	4 HOLE MOUNTING	PLAIN STEEL	BULK	N/A	25
Coupling Base Plate "V" shape base plate.					



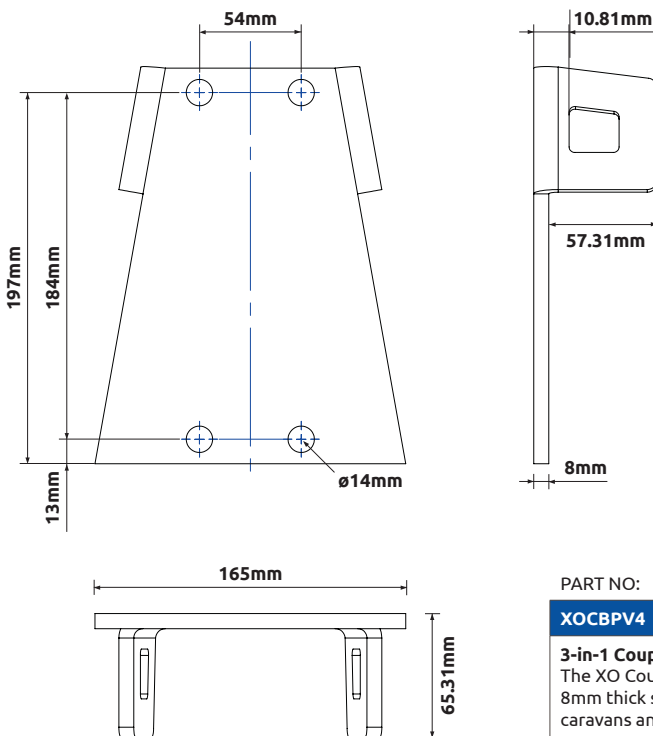
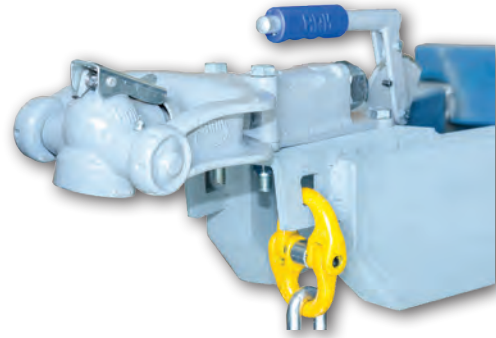
TRAILER COUPLINGS - XO SERIES - BASE PLATE

Ark have released a new **XO Series Coupling Base Plate**, that makes mounting of both coupling and trailer safety chains to the trailer quicker, easier and most importantly, safer than ever before.

Safety chain attachment points are the means by which the safety chains are attached to the drawbar. These points must be located as near as practicable to the tow coupling. Where two points of attachment are required, they must be mounted one on either side of the centreline of the drawbar.

The VSB1 states "trailers over 2.5 tonnes and not exceed 3.5 tonnes ATM must have two safety chains of designation of 3500kg complying with Australian Standard AS4177.4-1994 or Australian Standard AS4177.4-2004".

In our opinion, fitting these chains by hammerlock shackles onto the Ark XO Series Coupling Base Plate is a safer alternative to welding half a link to the drawbar as both the hammerlock shackles and the XO Series Coupling Base Plate are rated and tested accordingly in comparison to a half link weld which could not have proper penetration between two surfaces.



DID YOU KNOW?
Ark Corporation invented the first Coupling Base Plate with Chain anchor points, filing the patent back in April of 2018.

PART NO:	PACK TYPE:
XOCBPV4	BULK
3-in-1 Coupling Base	
The XO Coupling Base Plate is made of 8mm thick steel and is suitable for caravans and trailers up to 3.5T	

1. Coupling base plate
2. Safety chain attachment points
3. Trailer Recovery points

This product is protected by the following:

- Australian Design Application 201812476 • Australian Innovation Patent Application 2018100552

3IN1

SECTION 2 / TRAILER PARTS

TRAILER COUPLINGS - BRAKE ARM & PARK BRAKE

Ark's new Ratchet Park Brake Levers clever design incorporates a dual mounting system for top mount on coupling / coupling base plate or side mount onto trailer drawbar. The Ratchet Park Brake Lever is suitable for use with the XO Series 3.5T coupling or any other time a remote park brake system is needed for the caravan or trailer. Designed in Australia: it suits electric drum brake trailers, is manufactured by pressed steel and with a comfort grip handle.

NEW PRODUCT



PART NO:	FINISH:	PACK TYPE:	INNER CARTON QUANTITY:	OUTER CARTON QUANTITY:
MBP50Z	ZINC PLATED	BULK	N/A	5

Ratchet Park Brake Lever
All-in-1 top and side mount bracket system



PART NO:	FINISH:	PACK TYPE:	INNER CARTON QUANTITY:	OUTER CARTON QUANTITY:
MBP50G	GALVANISED	BULK	N/A	10
MBP50Z	ZINC PLATED	BULK	N/A	10

Low Profile Brake Arm
Brake arm to suit ORC50 over-ride and XO Series Off-road couplings

DID YOU KNOW?
Ark Corporation invented the first Low-Profile Brake Arm, filing the design back in April of 2018.



PART NO:	FINISH:	PACK TYPE:	INNER CARTON QUANTITY:	OUTER CARTON QUANTITY:
HBR50	PAINTED	BULK	N/A	10
HBR50G	GALVANISED	BULK	N/A	10
HBR50Z	ZINC PLATED	BULK	N/A	10

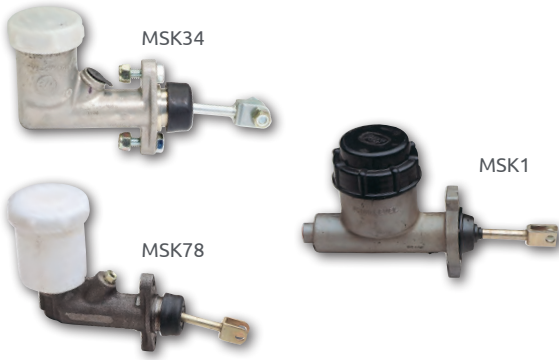
Hydraulic Brake Arm
Suits ORC50 over-ride and XO Series Off-road couplings.
Compatible with 3/4", 7/8" and 1" master cylinder



PART NO:	FINISH:	PACK TYPE:	SUITS DRAWBAR (mm) :	INNER CARTON QUANTITY:	OUTER CARTON QUANTITY:
BR50G	GALVANISED	BULK	50 x 75 & 50 x 100	N/A	10
BR75G	GALVANISED	BULK	75 x 75 & 75 x 100	N/A	10
BR100G	GALVANISED	BULK	100 x 100	N/A	10

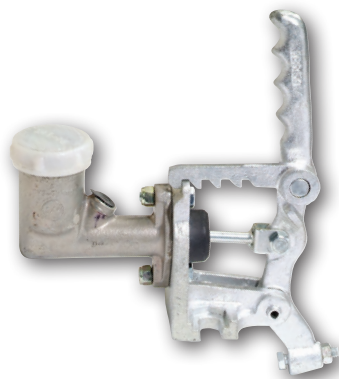
Brake Arm To Suit Boat Trailers
Suits ORC50 over-ride couplings.

MASTER CYLINDERS & ACCESSORIES



PART NO:	PACK TYPE:	SIZE:	INNER CARTON QUANTITY:	OUTER CARTON QUANTITY:
MSK34	BULK	3/4"	2	50
MSK34B	BLISTER	3/4"	N/A	30
MSK78	BULK	7/8"	N/A	20
MSK1	BULK	1"	N/A	1

Hydraulic Brake Master Cylinder
Available in 3/4", 7/8" and 1" sizes



PART NO:	FINISH:	SIZE:	INNER CARTON QUANTITY:	OUTER CARTON QUANTITY:
HBRM34	PAINTED	3/4"	N/A	1
HBRM34Z	ZINC PLATED	3/4"	N/A	1
HBRM78	PAINTED	7/8"	N/A	1
HBRM1	PAINTED	1"	N/A	1

Hydraulic Bracket Assembly
Fitted with master cylinder., available in 3/4", 7/8" and 1" sizes



PART NO:	PACK TYPE:	SIZE:	INNER CARTON QUANTITY:	OUTER CARTON QUANTITY:
MCC34	BULK	3/4"	N/A	100
MCC34B	BLISTER	3/4"	N/A	100

Replacement Master Cylinder Cap



BRAKE ACCESSORIES



PART NO:	BODY FINISH:	FITTINGS FINISH:	PACK TYPE:	INNER CARTON QUANTITY:	OUTER CARTON QUANTITY:
CA10	ZINC	ZINC	BULK	N/A	50
CA10B	ZINC	ZINC	BLISTER	5	25
CAS10	GALVANISED	STAINLESS	BULK	N/A	50

Brake Cable Adjuster
Available in 2 finishes, with combined pulley and turnbuckle



PART NO:	FINISH:	PACK TYPE:	SIZE:	INNER CARTON QUANTITY:	OUTER CARTON QUANTITY:
BCC04G	GALVANISED	BULK	4mm	25	100
BCC04B	GALVANISED	BLISTER - PACK OF 4	4mm	50	100
BCC05G	GALVANISED	BULK	5mm	25	100

Brake Cable Clamps
Available in 4mm & 5mm sizes - Galvanised finish.



PART NO:	FINISH:	PACK TYPE:	SIZE:	INNER CARTON QUANTITY:	OUTER CARTON QUANTITY:
BCC4B	GALVANISED	BLISTER	4mm x 8m	10	50

Brake Cable Kit
7x7 galvanized wire cable with 4 clamps to suit.



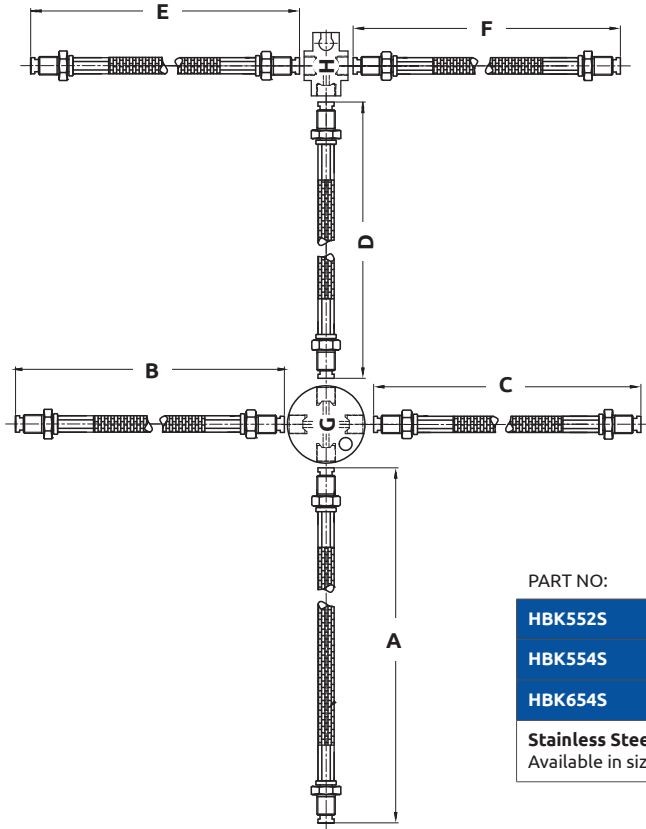
PART NO:	FINISH:	PACK TYPE:	SIZE:	INNER CARTON QUANTITY:	OUTER CARTON QUANTITY:
BCC4	GALVANISED	BULK	4mm	N/A	1
BCCB4	GALVANISED & PVC	BULK	4mm	N/A	1

Brake Cable
Available in 7x7 galvanized and 7x7 galvanized with blue PVC sheathing - 500 metre roll

HYDRAULIC BRAKE LINE KIT

Designed with a teflon stainless steel braided main line sheathed for extra protection and all stainless steel fittings; Ark kits are designed to outlast, outperform and install easier and quicker than conventional bundy tubing.

- DOESN'T KINK
- BETTER PERFORMANCE
- ABRASION RESISTANT
- EASY INSTALLATION



PART NO:	PACK TYPE:	SUITS TRAILERS:	INNER CARTON QUANTITY:	OUTER CARTON QUANTITY:
HBK552S	BULK	SINGLE AXLE - 7m	N/A	5
HBK554S	BULK	DUAL AXLE - 7m	N/A	5
HBK654S	BULK	DUAL AXLE - 8m	N/A	5

Stainless Steel Hydraulic Brake Line Kit
Available in sizes to suit boat trailers up to 26ft

PART NO:	"A" (mm)	"B" (mm)	"C" (mm)	"D" (mm)	"E" (mm)	"F" (mm)	"G"	"H"
HBK552S	5500	600	2000	-	-	-	-	3 WAY
HBK554S	5500	600	2000	1320	600	2000	4 WAY	3 WAY
HBK654S	6500	600	2000	1320	600	2000	4 WAY	3 WAY



PART NO:	PACK TYPE:	INNER CARTON QUANTITY:	OUTER CARTON QUANTITY:
HBFK34	BULK	N/A	10

Hydraulic Brake Fitting Kit
5.4 metres of zinc bundy tube with fittings.

STANDARD BRAKE CALIPERS & SPARE PARTS

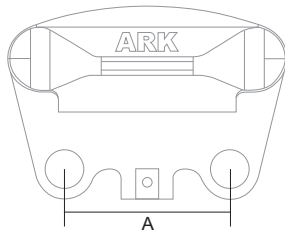


PART NO:	PACK TYPE:	INNER CARTON QUANTITY:	OUTER CARTON QUANTITY:
CM100G	BULK	N/A	5
CM100GD	DISPLAY	1	4

Mechanical Brake Caliper
Galvanised body with stainless steel components. Complete with pads and mounting bolts, suits 1/2" and 5/8" disc hubs.

PART NO:	LOT NO:	PACK TYPE:	INNER CARTON QUANTITY:	OUTER CARTON QUANTITY:
BCA100G	1	BULK	N/A	50
BCS16	2	BULK	N/A	100
BCH100G	3	BULK	N/A	50
SSS16612	4	BULK	N/A	100
BCB1150	5	BULK	N/A	100
DP1028	6	BULK	2	40
DP1028B	6	BLISTER	5	25

Mechanical Brake Caliper Spare Parts



PART NO:	"A" BOLT HOLE SPACINGS
CM100G	90mm
CH100G	90mm
CM100GP	90mm



PART NO:	PACK TYPE:	INNER CARTON QUANTITY:	OUTER CARTON QUANTITY:
CH100G	BULK	N/A	6

Marine Hydraulic Brake Caliper

- Designed with a rubber seal to protect the piston against jamming caused by salt or dirt build up
- Interchangeable with mechanical brake caliper mounts suits standard mounting plates
- Stainless steel bushes, sleeves and piston
- Hot dipped galvanised body
- Brake pads, mounting bolts and spring washers included.
- Suits 1/2" and 5/8" disc hubs

PART NO:	LOT NO:	PACK TYPE:	INNER CARTON QUANTITY:	OUTER CARTON QUANTITY:
CH50	1	BULK	N/A	50
CH200M-OR	2	BULK	N/A	50
A200G	3	BULK	N/A	200
SSS16612	4	BULK	N/A	100
BCB1150	5	BULK	N/A	100
DP1028	6	BULK	2	40
DP1028B	6	BLISTER	5	25

Mechanical Brake Caliper Spare Parts

PREMIUM BRAKE CALIPERS & SPARE PARTS



PART NO:	PACK TYPE:	INNER CARTON QUANTITY:	OUTER CARTON QUANTITY:
CM100GP	DISPLAY	N/A	1

Premium Mechanical Brake Caliper
Upgraded Galvanised body with new design return spring and stainless steel components. Complete with pads and mounting bolts, suits 1/2" and 5/8" disc hubs.

PART NO:	LOT NO:	PACK TYPE:	INNER CARTON QUANTITY:	OUTER CARTON QUANTITY:
BCAP100G	1	BULK	N/A	50
BCSP16	2	BULK	N/A	100
BCH100G	3	BULK	N/A	50
SSS16612	4	BULK	N/A	100
BCB1150	5	BULK	N/A	100
DP1028	6	BULK	2	40
DP1028B	6	BLISTER	5	25
DPB575	7	BULK	N/A	50

Premium Mechanical Brake Caliper Spare Parts

NEW PRODUCT



BRAKE CALIPERS - MOUNTING PLATES

Ark's range of caliper mounting plates suits both standard mechanical and hydraulic brake calipers. with 90mm bolt spacings



PART NO:	PACK TYPE:	FINISH:	SUITS AXLE:	SUITS DISC HUBS:	INNER CARTON QUANTITY:	OUTER CARTON QUANTITY:
MP39	BULK	BLACK	39mm Round	260 (10")	5	20
MP39G	BULK	GALVANISED	39mm Round	260 (10")	5	20
MP39GB	BLISTER	GALVANISED	39mm Round	260 (10")	5	20
MP40	BULK	BLACK	40mm Square	260 (10")	5	20
MP40G	BULK	GALVANISED	40mm Square	260 (10")	5	20
MP40GB	BLISTER	GALVANISED	40mm Square	260 (10")	5	20
MP45	BULK	BLACK	45mm Square	260 (10")	5	20
MP45G	BULK	GALVANISED	45mm Square	260 (10")	5	20
MP45GB	BLISTER	GALVANISED	45mm Square	260 (10")	5	20
MPL45	BULK	BLACK	45mm Square	297 (11 ³ / ₄ ")	5	20
MPR45	BULK	BLACK	45mm Round	260 (10")	5	20

Brake Caliper Mounting Plate
Centre type, available in various sizes.

PART NO:	PACK TYPE:	FINISH:	SUITS AXLE:	SUITS DISC HUBS:	INNER CARTON QUANTITY:	OUTER CARTON QUANTITY:
MPO39	BULK	BLACK	39mm Round	260 (10")	5	20
MPO40	BULK	BLACK	40mm Square	260 (10")	5	20
MPO45	BULK	BLACK	45mm Square	260 (10")	5	20

Brake Caliper Mounting Plate
Off Centre type, available in various sizes.

DRUM BRAKES & ACCESSORIES (ELECTRIC) - XO SERIES

EXTREME OFF-ROAD ELECTRIC BRAKES

Always behind **YOU** for the adventure ahead!

Experience peace of mind on Australia's rugged, corrugated roads with Ark's new XO Series Electric Brakes. Engineered to handle the harshest conditions, these brakes are your trusty companions on your journey. Here's why they stand out:



Vibration-Resistant Magnet: The XO Series Electric Brakes feature a vibration-resistant magnet that's designed to withstand the rigors of off-road travel. Say goodbye to worries about magnet wear and tear—your brake system is built to last.

Upgraded Return Springs: We've reinforced the return springs to ensure consistent and reliable brake performance. Whether you're navigating rough terrain or cruising on highways, you can trust your brakes to respond when you need them.

Waterproof Connectors: Don't let water infiltration jeopardize your brake system. Ark's XO Series Electric Brakes are equipped with waterproof connectors, safeguarding your electrical brake system against moisture and ensuring uninterrupted functionality.

Long-Lasting Service: With Ark's XO Series Electric Brakes, you're investing in durability and longevity. These brakes are built to provide years of reliable service, getting you safely to your next destination, no matter how challenging the road conditions may be.

When you choose Ark's XO Series Electric Brakes, you're choosing confidence, reliability, and peace of mind on Australia's toughest roads. Elevate your towing experience and ensure your safety on your next adventure.



PART NO:	PACK TYPE:	FINISH:	SIDE:	SUITS HUB DRUMS:	INNER CARTON QUANTITY:	OUTER CARTON QUANTITY:
XOEBP10L	DISPLAY	BLACK	LEFT	254 (10")	N/A	1
XOEBP10R	DISPLAY	BLACK	RIGHT	254 (10")	N/A	1

10" Off-road Electric Backing Plate
Vibration resistant magnet, upgraded return springs, waterproof connectors, with pressed studs, lockwasher and nuts

PART NO:	LOT NO:	PACK TYPE:	INNER CARTON QUANTITY:	OUTER CARTON QUANTITY:
XOHDBS10	1	BULK	N/A	10
XOMAG10L	2	BLISTER	N/A	30
XOMAG10R	2	BLISTER	N/A	30

10" Off-road Electric Backing Plate Spare Parts
Vibration resistant magnet available in Left and Right configuration



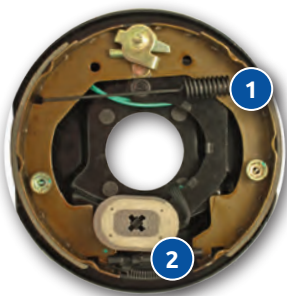
PART NO:	PACK TYPE:	FINISH:	SIDE:	SUITS HUB DRUMS:	INNER CARTON QUANTITY:	OUTER CARTON QUANTITY:
XOEBP12L	DISPLAY	BLACK	LEFT	305 (12")	N/A	1
XOEBP12R	DISPLAY	BLACK	RIGHT	305 (12")	N/A	1

12" Off-road Electric Backing Plate
Vibration resistant magnet, upgraded return springs, waterproof connectors, with pressed studs, lockwasher and nuts.

PART NO:	LOT NO:	PACK TYPE:	INNER CARTON QUANTITY:	OUTER CARTON QUANTITY:
XOHDBS12	1	BULK	N/A	10
XOMAG12L	2	BLISTER	N/A	30
XOMAG12R	2	BLISTER	N/A	30

12" Off-road Electric Backing Plate Spare Parts
Vibration resistant magnet available in Left and Right configuration

DRUM BRAKES & ACCESSORIES (ELECTRIC)

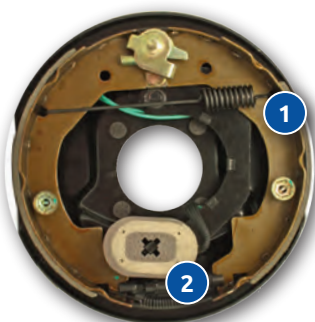


PART NO:	PACK TYPE:	FINISH:	SIDE:	SUITS HUB DRUMS:	INNER CARTON QUANTITY:	OUTER CARTON QUANTITY:
EBP10L	BULK	BLACK	LEFT	254 (10")	N/A	1
EBP10R	BULK	BLACK	RIGHT	254 (10")	N/A	1

10" Electric Backing Plate
Complete with pressed studs, lockwasher and nuts.

PART NO:	LOT NO:	PACK TYPE:	INNER CARTON QUANTITY:	OUTER CARTON QUANTITY:
HDBS10	1	BULK	N/A	20
EBPMAG	2	BULK	N/A	50
EBPMAGB	2	BLISTER	N/A	30

10" Electric Backing Plate Spare Parts



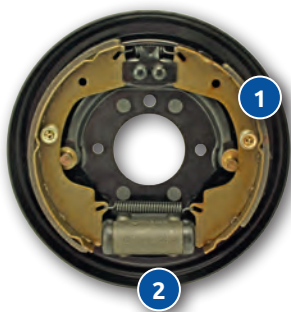
PART NO:	PACK TYPE:	FINISH:	SIDE:	SUITS HUB DRUMS:	INNER CARTON QUANTITY:	OUTER CARTON QUANTITY:
EBP12L	BULK	BLACK	LEFT	305 (12")	N/A	1
EBP12R	BULK	BLACK	RIGHT	305 (12")	N/A	1

12" Electric Backing Plate
Complete with pressed studs, lockwasher and nuts.

PART NO:	LOT NO:	PACK TYPE:	INNER CARTON QUANTITY:	OUTER CARTON QUANTITY:
HDBS12	1	BULK	N/A	10
EBPMAG	2	BULK	N/A	50

12" Electric Backing Plate Spare Parts

DRUM BRAKES & ACCESSORIES (HYDRAULIC)



PART NO:	PACK TYPE:	FINISH:	SIDE:	SUITS HUB DRUMS:	INNER CARTON QUANTITY:	OUTER CARTON QUANTITY:
HBP90L	BULK	BLACK	LEFT	228 (9")	N/A	1
HBP90R	BULK	BLACK	RIGHT	228 (9")	N/A	1

9" Hydraulic Backing Plate
Complete with pressed studs, lockwasher and nuts.

PART NO:	LOT NO:	PACK TYPE:	INNER CARTON QUANTITY:	OUTER CARTON QUANTITY:
HDBS9H	1	BULK	N/A	10
HBC90	2	BULK	N/A	50

9" Hydraulic Backing Plate Spare Parts

DRUM BRAKES & ACCESSORIES (MECHANICAL)



PART NO:	PACK TYPE:	FINISH:	SIDE:	SUITS HUB DRUMS:	INNER CARTON QUANTITY:	OUTER CARTON QUANTITY:
MBP90L	BULK	BLACK	LEFT	228 (9")	N/A	1
MBP90R	BULK	BLACK	RIGHT	228 (9")	N/A	1

9" Mechanical Backing Plate
Complete with pressed studs, lockwasher and nuts.

PART NO:	LOT NO:	PACK TYPE:	INNER CARTON QUANTITY:	OUTER CARTON QUANTITY:
HDBS9	1	BULK	N/A	50

9" Mechanical Backing Plate Spare Parts

TRAILER BRAKE MAXIMUM LOAD TABLE
Trailer Brake Recommended Maximum Load Table:

1. All loadings based on GTM of trailer.
2. Consideration must be given to the vehicle tow rating, road surface conditions, trailer tyre size and condition, trailer rim size and weather conditions.

Drum Brakes

Part No.	Description	Method of Operation	Recommended Maximum Load on 13"/14" Wheels	Recommended Maximum Load on 15"/16" Wheel
EBP10R / XOEBP10R	10" single backing plate	Electric	1600kg per axle	1400kg per axle
EBP10L / XOEBP10L	10" single backing plate	Electric	1600kg per axle	1400kg per axle
EBP12R / XOEBP12R	12" single backing plate	Electric	n/a	2500kg per axle
EBP12L / XOEBP12L	12" single backing plate	Electric	n/a	2500kg per axle
MBP90R	9" single backing plate	Mechanical	1200 kg per axle	1000 kg per axle
MBP90L	9" single backing plate	Mechanical	1200 kg per axle	1000 kg per axle
HBP90R	9" single backing plate	Hydraulic	1450kg per axle	1200kg per axle
HBP90L	9" single backing plate	Hydraulic	1450kg per axle	1200kg per axle

Part numbers for Hubs Drums that are covered by this table

12"	10"	9"
HD12X2LF	HD10X2FD	HD9X134FD
HD12X2LD	HD10X2FH	HD9X134FH
HD12X25LD	HD10X2HQ	HD9X134HQ
	HD10X2HT	HD9X134HT
	HD10X25LF	HD9X1345LT
	HD10X2LF	HD9X134LF
	HD10X2LH	HD9X134LH
	HD10X2FDP	HD9X134LF
	HD10X2LFP	

Tyre sizes covered by this table

13"	14"	15"	16"
175/R13	185/R14	205/R15	205/R16
	195/R14	195/R15	195/R16
		LT235/75	7.5/R16
			ST235/R16

Disc Brakes
Hydraulic up to 300mm Disc Hub

Part No.	Description	Method of Operation	Recommended Maximum Load on 13"/14" Wheels	Recommended Maximum Load on 15"/16" Wheels
CH100G	Single Caliper	Hydraulic	2000kg per axle	2000kg per axle
CH123D	Single Caliper	Hydraulic	2000kg per axle	2000kg per axle

Mechanical up to 300mm Disc Hub

Part No.	Description	Method of Operation	Recommended Maximum Load on 13"/14" Wheels	Recommended Maximum Load on 15"/16" Wheels
CM100G	Single Caliper	Forward Pull	2000kg per axle	2000kg per axle
CM100GP	Single Caliper	Forward Pull	2000kg per axle	2000kg per axle
CM123D	Single Caliper	Forward Pull	2000kg per axle	2000kg per axle

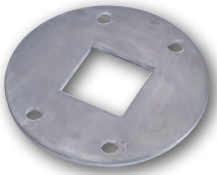
Part numbers for Disc Hubs that are covered by this table

PLAIN	GALVANISED	VENTILATED
DH12HQ/HQF	DH12HQD	VD103FDA
DH12HT/HTF	DH12HQFG	VD103FD
DH12FH	DH12HTG	VD123LD
DH12FD	DH12HTFG	
DH12CD/CDF	DH12FHG	
DH585LF	DH12FDG	
DH58LF	DH58LFG	
	VDR12HTG	

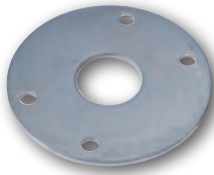
Tyre sizes covered by this table

13"	14"	15"	16"
175/R13	185/R14	205/R15	205/R16
	195/R14	195/R15	195/R16
		LT235/75	7.5/R16
			ST235/R16

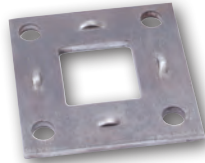
HUB DRUM BRAKE PLATES



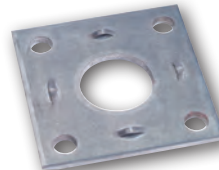
MPR40S
MPR45S



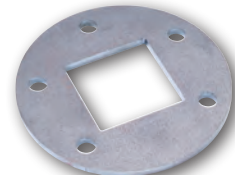
MPR40R
MPR45R



MPS40S
MPS45S



MPS40R
MPS45R



MPR50S

PART NO:	PACK TYPE:	FINISH:	SUITS AXLE:	SUITS BACKING PLATE:	INNER CARTON QUANTITY:	OUTER CARTON QUANTITY:
MPR40S	BULK	BLACK	40mm Square axle	HYDRAULIC (9")	N/A	40
MPR40R	BULK	BLACK	40mm Round axle	HYDRAULIC (9")	N/A	40
MPR45S	BULK	BLACK	45mm Square axle	HYDRAULIC (9")	N/A	40
MPR45R	BULK	BLACK	45mm Round axle	HYDRAULIC (9")	N/A	40
MPR50S	BULK	BLACK	50mm Square axle	ELECTRIC (12")	N/A	40
MPS40S	BULK	BLACK	40mm Square axle	MECHANICAL (9") / ELECTRIC (10")	N/A	40
MPS40R	BULK	BLACK	40mm Round axle	MECHANICAL (9") / ELECTRIC (10")	N/A	40
MPS45S	BULK	BLACK	45mm Square axle	MECHANICAL (9") / ELECTRIC (10")	N/A	40
MPS45R	BULK	BLACK	45mm Round axle/Parallel axle	MECHANICAL (9") / ELECTRIC (10")	N/A	40

Hub Drum Brake Mounting Plates
Available to suit all drum braking systems.

VENTILATED DISC CALIPERS & SPARE PARTS

Ark's mechanical caliper is designed for specific use with the range of ventilated disc rotors. Suitable for both 10" and 12" mounting plates, the mechanical caliper is a direct replacement part for trailers imported from the USA



PART NO:	PACK TYPE:	INNER CARTON QUANTITY:	OUTER CARTON QUANTITY:
CM123D	BULK	N/A	1

- Marine Mechanical Brake Caliper**
- Interchangeable with 10" and 12" ventilated rotors
 - Unique rubber piston spring
 - Stainless steel arm, sleeve & piston
 - Dacromet finished body
 - Greasable piston
 - Brake pads and mounting bolts included



PART NO:	LOT NO:	PACK TYPE:	INNER CARTON QUANTITY:	OUTER CARTON QUANTITY:
CH123DP	1	BULK	N/A	1

CM123D Mechanical Brake Caliper Spare Parts

VENTILATED DISC CALIPERS & SPARE PARTS

Ark's hydraulic caliper is designed for specific use with the range of ventilated disc rotors. Suitable for both 10" and 12" mounting plates, the hydraulic caliper is a direct replacement part for trailers imported from the USA



PART NO:	PACK TYPE:	INNER CARTON QUANTITY:	OUTER CARTON QUANTITY:
----------	------------	------------------------	------------------------

CH123D	BULK	N/A	1
---------------	------	-----	---

Marine Hydraulic Brake Caliper

- Designed with a rubber seal to protect the ingress of water and dust to the piston
- Interchangeable with 10" & 12" rotors
- Stainless steel bushes, sleeve & piston
- Dacromet finished body
- Brake pads and mounting bolts included

PART NO:	LOT NO:	PACK TYPE:	INNER CARTON QUANTITY:	OUTER CARTON QUANTITY:
----------	---------	------------	------------------------	------------------------

CH123BN	1	BULK	N/A	50
----------------	---	------	-----	----

CH123HA	2	BULK	N/A	50
----------------	---	------	-----	----

CH123DP	3	BULK	N/A	1
----------------	---	------	-----	---

CH123D Hydraulic Brake Caliper Spare Parts



PART NO:	PACK TYPE:	INNER CARTON QUANTITY:	OUTER CARTON QUANTITY:
----------	------------	------------------------	------------------------

CH123RK	BULK	N/A	1
----------------	------	-----	---

CH123D Hydraulic Caliper Rebuild Kit

- Consists of
- replacement stainless steel piston
 - rubber dust boot
 - rubber piston seal
 - rubber sleeve bushings
 - caliper slider bolts
- Set suits single caliper

VENTILATED DISC CALIPER MOUNTING PLATES

Ark's cast mounting plates are suitable for use with the ventilated disc rotors and finished in a long lasting dacromet coating. Available in 10" and 12" sizes, the mounting plates are direct replacement components for trailers imported from the USA



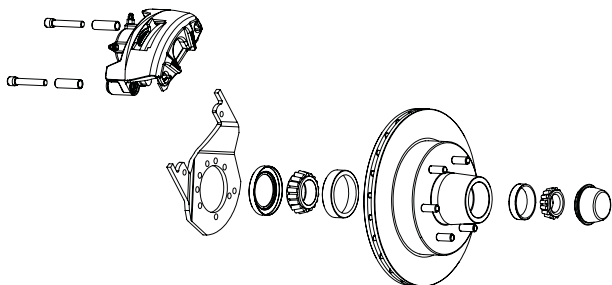
PART NO.	PACK TYPE:	HUB TYPE:	INNER CARTON QUANTITY:	OUTER CARTON QUANTITY:
----------	------------	-----------	------------------------	------------------------

MP1050	BULK	10" VENTILATED	N/A	25
---------------	------	----------------	-----	----

MP1250	BULK	12" VENTILATED	N/A	12
---------------	------	----------------	-----	----

TRAILER HUBS - VENTILATED DISC ROTORS & SPARE PARTS

Arks range of ventilated disc rotors offer better braking performance and accelerate heat transfer from the rotor to the surrounding air. Available in 10" and 12" sizes, the ventilated disc rotors are direct replacements hub for trailers imported from the USA



STUD PATTERN	BEARING TYPE	STUD SIZE	STUD DISTANCE (mm)	HUB SIZE (mm)	SUIT AXLE (mm)	CARTON TYPE:	PART NO:	GREASED PART NO:
FORD 5 x 114.3mm	LB68149 L44649	1/2"	67.18	254 (10")	DEXTER 45	PLAIN	VD103FD	N/A
FORD 5 x 114.3mm	FORD	1/2"	67.18	254 (10")	AUS 45	PLAIN	VD103FDA	N/A
LANDCRUISER 6 x 139.7mm	15123 25580	1/2"	69.85	305 (12")	DEXTER 50	PLAIN	VD123LD	N/A



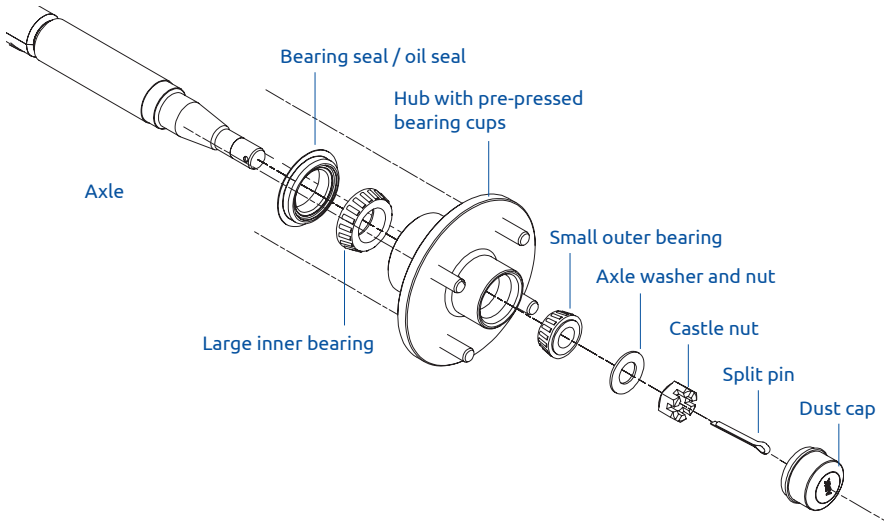
PART NO.	PACK TYPE:	BEARING TYPE:	ORIGIN:	HUB TYPE:	INNER CARTON QUANTITY:	OUTER CARTON QUANTITY:
VD10LB	BULK	LB68149	CHINESE	10" VENTILATED	10	100
VD10SB	BULK	L44649	CHINESE	10" VENTILATED	10	100
VD12LB	BULK	25580	CHINESE	12" VENTILATED	6	60
VD12LJB	BULK	25580	JAPANESE	12" VENTILATED	1	60
VD12SB	BULK	15123	CHINESE	12" VENTILATED	8	64
VD12SJB	BULK	15123	JAPANESE	12" VENTILATED	1	60
VD10S35	BULK	SEAL	CHINESE	10" VENTILATED	10	160
VD12S48	BULK	SEAL	CHINESE	12" VENTILATED	40	160



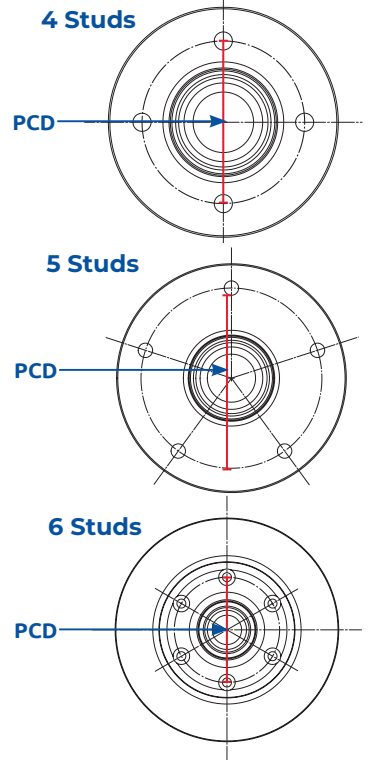
PART NO.	PACK TYPE:	HUB TYPE:	INNER CARTON QUANTITY:	OUTER CARTON QUANTITY:
DC50US	BULK	10" VENTILATED	N/A	50
DC63VD	BULK	12" VENTILATED	N/A	50

WHEEL HUBS - Technical Information

Hub setup



Measuring stud PCD



TRAILER HUBS - STUDDED BLANKS, NO BEARINGS OR CONES - Plain Finish

For those that like to press in their own bearing types or prefer to run Japanese bearings as a standard, Ark supply a range of trailer hub blanks specific for this purpose.

These hubs are supplied with pressed studs, stud nuts and dust cap only, bearings and seals of your choice need to be ordered separately.

TRAILER HUBS - NON-BRAKED



STUD PATTERN	STUD SIZE	STUD DISTANCE (mm)	HUB SIZE (mm)	CARTON TYPE:	PART NO:
COMMODORE 5 x 120mm	7/16"	70.53	150 (6")	PLAIN	CD150SN
FORD 5 x 114.3mm	1/2"	67.18	150 (6")	PLAIN	FD150SN
HT HOLDEN 5 x 107.95mm	7/16"	63.95	150 (6")	PLAIN	HT140SN
LANDCRUISER 6 x 139.7mm	1/2"	69.85	190 (7 1/2")	PLAIN	LF190SN

TRAILER HUBS DRUMS 10"



STUD PATTERN	STUD SIZE	STUD DISTANCE (mm)	HUB SIZE (mm)	CARTON TYPE:	PART NO:
FORD 5 x 114.3mm	1/2"	67.18	254 (10")	PLAIN	HD10X2FDSN
LANDCRUISER 6 x 139.7mm	1/2"	69.85	254 (10")	PLAIN	HD10X2LFSN

TRAILER HUBS - NON-BRAKED - Plain Finish (Parallel Bearings)

Non-brake trailer hubs complete with bearings, dust cap, seal, fitted with studs and nuts. Most hubs now available pre-greased with extreme pressure lithium complex grease suitable for both standard and marine operation.



STUD PATTERN	BEARING TYPE	STUD SIZE	STUD DISTANCE (mm)	HUB SIZE (mm)	SUIT AXLE (mm)	CARTON TYPE:	PART NO:	GREASED PART NO:
LANDCRUISER 6 x 139.7mm	L68149/10 (FBL35)	1/2"	69.85	190 (7 1/2")	45 - 50 PARA	PLAIN	LF190P	LF190PL

TRAILER HUBS - NON-BRAKED - Plain Finish

Non-brake trailer hubs complete with bearings, dust cap, seal, fitted with studs and nuts. Most hubs now available pre-greased with extreme pressure lithium complex grease suitable for both standard and marine operation.



STUD PATTERN	BEARING TYPE	STUD SIZE	STUD DISTANCE (mm)	HUB SIZE (mm)	SUIT AXLE (mm)	CARTON TYPE:	PART NO:	GREASED PART NO:
COMMODORE 5 x 120mm	HOLDEN	7/16"	70.53	150 (6")	39 - 40	PLAIN	CD150	CD150L
	FORD	7/16"	70.53	150 (6")	45	PLAIN	CDF150	CDF150L
FORD 5 x 114.3mm	HOLDEN	1/2"	70.53	150 (6")	39 - 40	PLAIN	CD15012	N/A
	FORD	1/2"	67.18	150 (6")	45	PLAIN	FD150	FD150L
	HOLDEN	1/2"	67.18	150 (6")	39 - 40	PLAIN	FH150	FH150L
GEMINI/BMW 4 x 100mm	HOLDEN	1/2"	67.18	150 (6")	39 - 40	DISPLAY	FH150D	N/A
	HOLDEN	7/16"	70.71	150 (6")	39 - 40	PLAIN	GH150	GH150L
HQ HOLDEN 5 x 120.65mm	HOLDEN	7/16"	70.91	150 (6")	39 - 40	PLAIN	HQ150	HQ150L
	HOLDEN	7/16"	70.91	150 (6")	39 - 40	DISPLAY	HQ150D	N/A
	FORD	7/16"	70.91	150 (6")	45	PLAIN	HQF150	HQF150L
HT HOLDEN 5 x 107.95mm	HOLDEN	7/16"	63.95	140 (5 1/2")	39 - 40	PLAIN	HT140	HT140L
	HOLDEN	7/16"	63.95	150 (6")	39 - 40	PLAIN	HT150	HT150L
	HOLDEN	7/16"	63.95	150 (6")	39 - 40	DISPLAY	HT150D	N/A
	FORD	7/16"	63.95	150 (6")	45	PLAIN	HTF150	HTF150L
LANDCRUISER 6 x 139.7mm	FORD	1/2"	69.85	190 (7 1/2")	45	PLAIN	LF190	LF190L
	FORD	1/2"	69.85	190 (7 1/2")	45	DISPLAY	LF190D	N/A
	HOLDEN	1/2"	69.85	190 (7 1/2")	39 - 40	PLAIN	LH190	LH190L
	HOLDEN	1/2"	69.85	190 (7 1/2")	39 - 40	DISPLAY	LH190D	N/A
	15123 / 25580	1/2"	69.85	190 (7 1/2")	50	PLAIN	N/A	LD190
LANDCRUISER 5 x 150mm	FORD	9/16"	88.2	190 (7 1/2")	45	PLAIN	LF1905	LF1905L
	15123 / 25580	1/2"	69.85	190 (7 1/2")	50	PLAIN	N/A	LD1905
MINI 4 x 101.6mm	HOLDEN	7/16"	71.8	140 (5 1/2")	39 - 40	PLAIN	MH140	MH140L
SUBARU 5 x 100mm	HOLDEN	7/16"	58.77	150 (6")	39 - 40	PLAIN	SH150	N/A
TOYOTA 4 x 114.3mm	HOLDEN	7/16"	80.8	150 (6")	39-40	PLAIN	TH150	TH150L

TRAILER HUBS - NON-BRAKED - Galvanised Finish

Non-brake trailer hubs complete with bearings, dust cap, marine seal, fitted with studs and nuts. Most hubs now available pre-greased with extreme pressure lithium complex grease suitable for both standard and marine operation.



STUD PATTERN	BEARING TYPE	STUD SIZE	STUD DISTANCE (mm)	HUB SIZE (mm)	SUIT AXLE (mm)	CARTON TYPE:	PART NO:	GREASED PART NO:
COMMODORE 5 x 120mm	HOLDEN	7/16"	70.53	150 (6")	39 - 40	PLAIN	CD150G	CD150LG
	FORD	7/16"	70.53	150 (6")	45	PLAIN	CDF150G	CDF150LG
FORD 5 x 114.3mm	FORD	1/2"	67.18	150 (6")	45	PLAIN	FD150G	FD150LG
	HOLDEN	1/2"	67.18	150 (6")	39 - 40	PLAIN	FH150G	FH150LG
	HOLDEN	1/2"	67.18	150 (6")	39 - 40	DISPLAY	FH150GD	N/A
GEMINI/BMW 4 x 100mm	HOLDEN	7/16"	70.71	150 (6")	39 - 40	PLAIN	GH150G	GH150LG
HQ HOLDEN 5 x 120.65mm	HOLDEN	7/16"	70.91	150 (6")	39 - 40	PLAIN	HQ150G	HQ150LG
	HOLDEN	7/16"	70.91	150 (6")	39 - 40	DISPLAY	HQ150GD	N/A
HT HOLDEN 5 x 107.95mm	HOLDEN	7/16"	63.95	140 (5 1/2")	39 - 40	PLAIN	HT140G	HT140LG
	HOLDEN	7/16"	64.95	141 (5 1/2")	39 - 41	DISPLAY	HT140GD	N/A
	HOLDEN	7/16"	63.95	150 (6")	39 - 40	PLAIN	HT150G	HT150LG
	HOLDEN	7/16"	63.95	150 (6")	39 - 40	DISPLAY	HT150GD	N/A
LANDCRUISER 6 x 139.7mm	FORD	7/16"	63.95	150 (6")	45	PLAIN	HTF150G	HTF150LG
LANDCRUISER 6 x 139.7mm	FORD	1/2"	69.85	190 (7 1/2")	45	PLAIN	LF190G	LF190LG
MINI 4 x 101.6mm	HOLDEN	7/16"	71.8	140 (5 1/2")	39 - 40	PLAIN	MH140G	MH140LG
TOYOTA 4 x 114.3mm	HOLDEN	7/16"	80.8	150 (6")	39 - 40	PLAIN	TH150G	N/A
	HOLDEN	7/16"	81.8	151 (6")	39 - 41	PLAIN	TH150GD	N/A

TRAILER DISC BRAKE HUBS - Plain Finish

Trailer disc brake hubs complete with bearings, dust cap, seal, fitted with studs and nuts. Most hubs now available pre-greased with extreme pressure lithium complex grease suitable for both standard and marine operation.



STUD PATTERN	BEARING TYPE	STUD SIZE	STUD DISTANCE (mm)	HUB SIZE (mm)	SUIT AXLE (mm)	CARTON TYPE:	PART NO:	GREASED PART NO:
COMMODORE 5 x 120mm	HOLDEN	7/16"	70.53	260 (10")	39 - 40	PLAIN	DH12CD	N/A
	FORD	7/16"	70.53	260 (10")	45	PLAIN	DH12CDF	N/A
FORD 5 x 114.3mm	FORD	1/2"	67.18	260 (10")	45	PLAIN	DH12FD	DH12FDL
	HOLDEN	1/2"	67.18	260 (10")	39 - 40	PLAIN	DH12FH	DH12FHL
HQ HOLDEN 5 x 120.65mm	HOLDEN	7/16"	70.91	260 (10")	39 - 40	PLAIN	DH12HQ	DH12HQL
	FORD	7/16"	70.53	260 (10")	45	PLAIN	DH12HQF	DH12HQFL
HT HOLDEN 5 x 107.95mm	HOLDEN	7/16"	63.95	260 (10")	39 - 40	PLAIN	DH12HT	N/A
	FORD	7/16"	63.95	260 (10")	45	PLAIN	DH12HTF	DH12HTFL
LANDCRUISER 6 x 139.7mm	FORD	1/2"	68.95	297 (11 ³ / ₄ ")	45	PLAIN	DH58LF	DH58LFL
LANDCRUISER 5 x 150mm	FORD	9/16"	88.2	297 (11 ³ / ₄ ")	45	PLAIN	DH585LF	N/A

TRAILER DISC BRAKE HUBS - Galvanised Finish

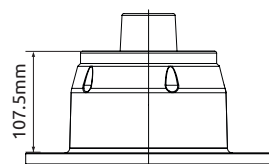
Trailer disc brake hubs complete with bearings, dust cap, marine seal, fitted with studs and nuts. Most hubs now available pre-greased with extreme pressure lithium complex grease suitable for both standard and marine operation.



STUD PATTERN	BEARING TYPE	STUD SIZE	STUD DISTANCE (mm)	HUB SIZE (mm)	SUIT AXLE (mm)	CARTON TYPE:	PART NO:	GREASED PART NO:
COMMODORE 5 x 120mm	HOLDEN	7/16"	70.53	260 (10")	39 - 40	PLAIN	DH12CDG	N/A
	FORD	7/16"	70.53	260 (10")	45	PLAIN	DH12CDFG	N/A
FORD 5 x 114.3mm	FORD	1/2"	67.18	260 (10")	45	PLAIN	DH12FDG	DH12FDLG
	HOLDEN	1/2"	67.18	260 (10")	39 - 40	PLAIN	DH12FHG	DH12FHLG
HQ HOLDEN 5 x 120.65mm	HOLDEN	7/16"	70.91	260 (10")	39 - 40	PLAIN	DH12HQG	DH12HQLG
	FORD	7/16"	70.53	260 (10")	45	PLAIN	DH12HQFG	DH12HQFLG
HT HOLDEN 5 x 107.95mm	HOLDEN	7/16"	63.95	260 (10")	39 - 40	PLAIN	DH12HTG	DH12HTLG
	FORD	7/16"	63.95	260 (10")	45	PLAIN	DH12HTFG	DH12HTFLG
	FORD	7/16"	63.95	260 (10")	45	DISPLAY	DH12HTFGD	N/A
LANDCRUISER 6 x 139.7mm	FORD	1/2"	69.85	297 (11 ³ / ₄ ")	45	PLAIN	DH58LFG	N/A

TRAILER DISC BRAKE HUB - VELOX - Galvanised Finish

Trailer velox disc brake hubs complete with bearings, dust cap, marine seal, fitted with studs and nuts.



STUD PATTERN	BEARING TYPE	STUD SIZE	STUD DISTANCE (mm)	HUB SIZE (mm)	SUIT AXLE (mm)	CARTON TYPE:	PART NO:	GREASED PART NO:
HT HOLDEN 5 x 107.95mm	HOLDEN	7/16"	63.95	260 (10")	39 - 40	PLAIN	VDR12HTG	N/A

HUB DRUMS 9" - Plain Finish

Trailer hub drum complete with bearings, dust cap, seal, fitted with studs and nuts.



STUD PATTERN	BEARING TYPE	STUD SIZE	STUD DISTANCE (mm)	HUB SIZE (mm)	SUIT AXLE (mm)	CARTON TYPE:	PART NO:	GREASED PART NO:
FORD 5 x 114.3mm	FORD	1/2"	67.18	228 (9")	45	PLAIN	HD9X134FD	N/A
	HOLDEN	1/2"	67.18	228 (9")	39 - 40	PLAIN	HD9X134FH	N/A
HQ HOLDEN 5 x 120.65mm	HOLDEN	7/16"	70.91	228 (9")	39 - 40	PLAIN	HD9X134HQ	N/A
HT HOLDEN 5 x 107.95mm	HOLDEN	7/16"	63.95	228 (9")	39 - 40	PLAIN	HD9X134HT	N/A
LANDCRUISER 6 x 139.7mm	FORD	1/2"	69.85	228 (9")	45	PLAIN	HD9X134LF	HD9X134LFL
	HOLDEN	1/2"	69.85	228 (9")	39 - 40	PLAIN	HD9X134LH	N/A
LANDCRUISER 5 x 150mm	FORD	9/16"	88.2	228 (9")	45	PLAIN	HD9X1345LF	N/A

HUB DRUMS 10" - Plain Finish (Parallel Bearings)

STUD PATTERN	BEARING TYPE	STUD SIZE	STUD DISTANCE (mm)	HUB SIZE (mm)	SUIT AXLE (mm)	CARTON TYPE:	PART NO:	GREASED PART NO:
FORD 5 x 114.3mm	L68149/10 (FBL35)	1/2"	67.18	254 (10")	45 - 50 PARA	PLAIN	HD10X2FDP	HD10X2FDPL
LANDCRUISER 6 x 139.7mm	L68149/10 (FBL35)	1/2"	69.85	254 (10")	45 - 50 PARA	PLAIN	HD10X2LFP	HD10X2LFPL
LANDCRUISER 5 x 150mm	L68149/10 (FBL35)	9/16"	88.2	254 (10")	45 - 50 PARA	PLAIN	HD10X25LFP	HD10X25LFPL

HUB DRUMS 10" - Plain Finish (Tapered Bearings)

Trailer hub drum complete with bearings, dust cap, seal, fitted with studs and nuts.

STUD PATTERN	BEARING TYPE	STUD SIZE	STUD DISTANCE (mm)	HUB SIZE (mm)	SUIT AXLE (mm)	CARTON TYPE:	PART NO:	GREASED PART NO:
FORD 5 x 114.3mm	FORD	1/2"	67.18	254 (10")	45	PLAIN	HD10X2FD	HD10X2FDL
	HOLDEN	1/2"	67.18	254 (10")	39 - 40	PLAIN	HD10X2FH	N/A
HQ HOLDEN 5 x 120.65mm	HOLDEN	7/16"	70.91	254 (10")	39 - 40	PLAIN	HD10X2HQ	N/A
HT HOLDEN 5 x 107.95mm	HOLDEN	7/16"	63.95	254 (10")	39 - 40	PLAIN	HD10X2HT	N/A
LANDCRUISER 6 x 139.7mm	FORD	1/2"	69.85	254 (10")	45	PLAIN	HD10X2LF	HD10X2LFL
	HOLDEN	1/2"	69.85	254 (10")	39 - 40	PLAIN	HD10X2LH	N/A
LANDCRUISER 5 x 150mm	FORD	9/16"	88.2	254 (10")	45	PLAIN	HD10X25LF	N/A

HUB DRUMS 12" - Plain Finish

Trailer hub drum complete with bearings, dust cap, seal, fitted with studs and nuts.

STUD PATTERN	BEARING TYPE	STUD SIZE	STUD DISTANCE (mm)	HUB SIZE (mm)	SUIT AXLE (mm)	CARTON TYPE:	PART NO:	GREASED PART NO:
LANDCRUISER 6 x 139.7mm	4T - 15123/15241 4T - 30210	1/2"	69.85	305 (12")	50	PLAIN	HD12X2LF	N/A
	151234T 25580	1/2"	69.85	305 (12")	DEXTER 50	PLAIN	HD12X2LD	HD12X2LDL
LANDCRUISER 5 x 150mm	151234T 25580	9/16"	88.2	305 (12")	DEXTER 50	PLAIN	HD12X25LD	HD12X25LDL

BEARING, SEALS & DUST COVERS



Standard



Marine

PART NO.	PACK TYPE:	SEAL TYPE:	ORIGIN:	AXLE GUIDE:	INNER CARTON QUANTITY:	OUTER CARTON QUANTITY:
BK32	BLISTER	STANDARD	CHINESE	39mm - 40mm	10	40
BK35	BLISTER	STANDARD	CHINESE	45mm	10	40
MBK32	BLISTER	MARINE	CHINESE	39mm - 40mm	10	40
MBK35	BLISTER	MARINE	CHINESE	45mm	10	40

Trailer Hub Bearing Kits
Complete kit consists of inner and outer bearings, seal and split pin.



PART NO.	PACK TYPE:	BEARING TYPE:	ORIGIN:	AXLE GUIDE:	INNER CARTON QUANTITY:	OUTER CARTON QUANTITY:
HBS32	BULK	LM11949/10	CHINESE	39mm - 40mm	7	40
HBSJ32	BULK	LM11949/10	JAPANESE	39mm - 40mm	1	150
HBL32	BULK	LM67048/10	CHINESE	39mm - 40mm	7	40
HBLJ32	BULK	LM67048/10	JAPANESE	39mm - 40mm	1	90
FBS35	BULK	LM12749/10	CHINESE	45mm	7	40
FBSJ35	BULK	LM12749/10	JAPANESE	45mm	1	150
FBL35	BULK	L68149/10	CHINESE	45mm	7	40
FBLJ35	BULK	L68149/10	JAPANESE	45mm	1	90
LBS50	BULK	4T-15123/15241	CHINESE	50mm L/C	7	40
LBL50	BULK	4T-30210	CHINESE	50mm L/C	7	40

Trailer Hub Bearings
Available in various size and types.



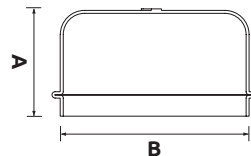
Marine



Standard

PART NO.	PACK TYPE:	SEAL TYPE:	ORIGIN:	AXLE GUIDE:	INNER CARTON QUANTITY:	OUTER CARTON QUANTITY:
BS32	BULK	STANDARD	CHINESE	39mm - 40mm	25	200
BS35	BULK	STANDARD	CHINESE	45mm	25	200
BS50	BULK	STANDARD	CHINESE	50mm L/C	25	200
MS32	BULK	MARINE	CHINESE	39mm - 40mm	25	100
MS35	BULK	MARINE	CHINESE	45mm	25	100

Trailer Hub Bearing Seals
Available in various size and types.



PART NO.	PACK TYPE:	"A" (mm)	"B" (mm)	SUITS HUBS:	INNER CARTON QUANTITY:	OUTER CARTON QUANTITY:
DC45	BULK	32	45.4	5 1/2", 6" hubs, disc hubs, 9" & 10" hubs with tapered bearings	50	200
DC45B	BLISTER	32	45.4		10	100
DC65	BULK	37	63.5	12" drums & 10" parallel drums	N/A	50

Trailer Hub Dust Caps
Available in various size and types.

WHEEL BEARING PROTECTORS



PART NO.	PACK TYPE:	FINISH:	INNER CARTON QUANTITY:	OUTER CARTON QUANTITY:
PBP35	BULK	POLYCARBONATE	N/A	25
PBP35B	BLISTER	POLYCARBONATE	5	20

Bearing Protector
Impact resistant, made from Polycarbonate. Set of 2.



PART NO.	PACK TYPE:	FINISH:	INNER CARTON QUANTITY:	OUTER CARTON QUANTITY:
MBP34	BULK	CHROME PLATE	N/A	25
MBP34B	BLISTER	CHROME PLATE	5	20
SBP34	BULK	STAINLESS STEEL	N/A	25
SBP34B	BLISTER	STAINLESS STEEL	5	20

Bearing Protector
Complete with blue PVC dust caps. Set of 2.



PART NO.	PACK TYPE:	FINISH:	INNER CARTON QUANTITY:	OUTER CARTON QUANTITY:
MBC34B	BLISTER	BLUE	10	100
MBCB34	BULK	BLUE	N/A	200
MBC34	BULK	RED	N/A	200

Dust and Water Protection Cap
Suits bearing protectors, made from PVC. Set of 2

REGISTRATION LABEL HOLDER



PART NO.	PACK TYPE:	INNER CARTON QUANTITY:	OUTER CARTON QUANTITY:
RH12	BULK	25	100

Registration Label Holder
Double sided clear plastic.

WHEEL STUDS


PART NO:	TYPE:	SUITS:	FINISH:	PACK TYPE:	THREAD SIZE:	INNER CARTON QUANTITY:	OUTER CARTON QUANTITY:
ST12	STUD	FORD-L/C 6 STUD	ZINC PLATED	BULK	1/2"	25	100
STD12	STUD	DEXTER 6 STUD	ZINC PLATED	BULK	1/2"	25	100
SN12	NUT	FORD-L/C 6 STUD-DEXTER 6 STUD	ZINC PLATED	BULK	1/2"	25	100
ST716	STUD	HOLDEN	ZINC PLATED	BULK	7/16"	25	100
SN716	NUT	HOLDEN	ZINC PLATED	BULK	7/16"	25	100
ST916	STUD	L/C 5 STUD	ZINC PLATED	BULK	9/16"	25	100
STD916	STUD	DEXTER 5 STUD	ZINC PLATED	BULK	9/16"	25	100
SN916	NUT	L/C 5 STUD-DEXTER 5 STUD	ZINC PLATED	BULK	9/16"	25	100

Wheel Stud & Nuts.

Hardened Steel with UNF thread, available in many sizes



PART NO:	FINISH:	PACK TYPE:	QTY PER PACK:	THREAD SIZE:	INNER CARTON QUANTITY:	OUTER CARTON QUANTITY:
ST12B	ZINC PLATED	BLISTER	6	1/2"	5	25
ST716B	ZINC PLATED	BLISTER	5	7/16"	5	25

Wheel Stud & Nuts.

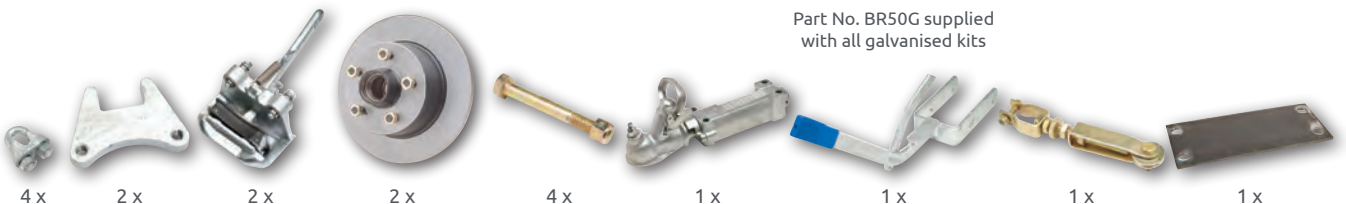
Hardened Steel with UNF thread, available in many sizes

DISC BRAKE KIT (MECHANICAL)

STUD PATTERN	BEARING TYPE	SINGLE AXLE CAPACITY	BRAKE LOAD PER AXLE 13" & 14" WHEELS	BRAKE LOAD PER AXLE 15" / 16" WHEELS (kg)	SUIT AXLE (mm)	FINISH:	PART NO:
COMMODORE 5 x 120mm	FORD	1500	2000	2000	45	PLAIN STEEL	DBK45CDF
	FORD	1500	2000	2000	45	GALVANISED	DBK45CDFG
	HOLDEN	1000	2000	2000	40	PLAIN STEEL	DBK40CD
FORD 5 x 114.3mm	FORD	1500	2000	2000	45	PLAIN STEEL	DBK45FD
	FORD	1500	2000	2000	45	GALVANISED	DBK45FDG
	HOLDEN	1000	2000	2000	40	PLAIN STEEL	DBK40FH
	HOLDEN	1000	2000	2000	40	GALVANISED	DBK40FHG
HQ HOLDEN 5 x 120.65mm	FORD	1500	2000	2000	45	PLAIN STEEL	DBK45HQF
	FORD	1500	2000	2000	45	GALVANISED	DBK45HQFG
	HOLDEN	1000	2000	2000	40	PLAIN STEEL	DBK40HQ
	HOLDEN	1000	2000	2000	40	GALVANISED	DBK40HQG
HT HOLDEN 5 x 107.95mm	FORD	1500	2000	2000	45	PLAIN STEEL	DBK45HTF
	FORD	1500	2000	2000	45	GALVANISED	DBK45HTFG
	HOLDEN	1000	2000	2000	40	PLAIN STEEL	DBK40HT
	HOLDEN	1000	2000	2000	40	GALVANISED	DBK40HTG
HT VELOX 5 X 107.95mm	HOLDEN	1000	2000	2000	40	GALVANISED	DBK40VHTG
LANDCRUISER 6 x 139.7mm	FORD	1500	2000	2000	45	PLAIN STEEL	DBK45LF
	FORD	1500	2000	2000	45	GALVANISED	DBK45LFG
LANDCRUISER 5 x 150mm	FORD	1500	2000	2000	45	PLAIN STEEL	DBK45LFL

Mechanical Disc Brake Kit

Complete kit for retro fitting Mechanical Disc Brakes to a single axle on your trailer. Kit comprises: 2T over-ride coupling, coupling base plate, coupling mounting bolts, mechanical brake arm, brake cable adjuster, brake cable clamps, mechanical brake calipers, mounting plates and disc rotors.



Part No. BR50G supplied with all galvanised kits

4 x 2 x 2 x 2 x 4 x 1 x 1 x 1 x 1 x

DRUM BRAKE KIT (ELECTRIC)

STUD PATTERN	BEARING TYPE	SINGLE AXLE CAPACITY	BRAKE LOAD PER AXLE 13" & 14" WHEELS	BRAKE LOAD PER AXLE 15" / 16" WHEELS (kg)	SUIT AXLE (mm)	FINISH:	PART NO:
FORD 5 x 114.3mm	FORD	1500	1600	1400	45	PLAIN STEEL	EBK45FD
	HOLDEN	1000	1600	1400	40	PLAIN STEEL	EBK40FH
HQ HOLDEN 5 x 120.65mm	HOLDEN	1000	1600	1400	40	PLAIN STEEL	EBK40HQ
HT HOLDEN 5 x 107.95mm	HOLDEN	1000	1600	1400	40	PLAIN STEEL	EBK40HT
LANDCRUISER 6 x 139.7mm	FORD	1500	1600	1400	45	PLAIN STEEL	EBK45LF
	HOLDEN	1000	1600	1400	40	PLAIN STEEL	EBK40LH

10" Electric Drum Brake Kit

Complete kit for retro fitting Electric Drum Brakes to a single axle on your trailer. Kit comprises: 3.5T electric coupling, coupling base plate, coupling mounting bolts, brake cable adjuster, brake cable clamps, 10" electric backing plates, mounting plates and 10" hub drums.



DRUM BRAKE KIT (HYDRAULIC)

STUD PATTERN	BEARING TYPE	SINGLE AXLE CAPACITY	BRAKE LOAD PER AXLE 13" & 14" WHEELS	BRAKE LOAD PER AXLE 15" / 16" WHEELS (kg)	SUIT AXLE (mm)	FINISH:	PART NO:
FORD 5 x 114.3mm	FORD	1500	1450	1200	45	PLAIN STEEL	HBK45FD
	HOLDEN	1000	1450	1200	40	PLAIN STEEL	HBK40FH
HQ HOLDEN 5 x 120.65mm	HOLDEN	1000	1450	1200	40	PLAIN STEEL	HBK40HQ
HT HOLDEN 5 x 107.95mm	HOLDEN	1000	1450	1200	40	PLAIN STEEL	HBK40HT
LANDCRUISER 6 x 139.7mm	FORD	1500	1450	1200	45	PLAIN STEEL	HBK45LF
	HOLDEN	1000	1450	1200	40	PLAIN STEEL	HBK40LH

9" Hydraulic Drum Brake Kit

Complete kit for retro fitting Hydraulic Drum Brakes to a single axle on your trailer. Kit comprises: 2T over-ride coupling, coupling base plate, coupling mounting bolts, hydraulic brake arm, 3/4" master cylinder, hydraulic brake lines, 9" hydraulic backing plates, mounting plates and 9" hub drums.

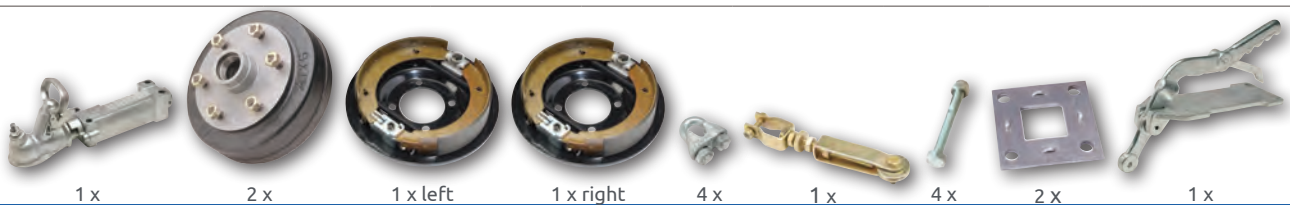


DRUM BRAKE KIT (MECHANICAL)

STUD PATTERN	BEARING TYPE	SINGLE AXLE CAPACITY	BRAKE LOAD PER AXLE 13" & 14" WHEELS	BRAKE LOAD PER AXLE 15" / 16" WHEELS (kg)	SUIT AXLE (mm)	FINISH:	PART NO:
FORD 5 x 114.3mm	FORD	1500	1200	1000	45	PLAIN STEEL	MBK45FD
	HOLDEN	1000	1200	1000	40	PLAIN STEEL	MBK40FH
HQ HOLDEN 5 x 120.65mm	HOLDEN	1000	1200	1000	40	PLAIN STEEL	MBK40HQ
HT HOLDEN 5 x 107.95mm	HOLDEN	1000	1200	1000	40	PLAIN STEEL	MBK40HT
LANDCRUISER 6 x 139.7mm	FORD	1500	1200	1000	45	PLAIN STEEL	MBK45LF
	HOLDEN	1000	1200	1000	40	PLAIN STEEL	MBK40LH

9" Mechanical Drum Brake Kit

Complete kit for retro fitting Mechanical Drum Brakes to a single axle on your trailer. Kit comprises: 2T over-ride coupling, coupling base plate, coupling mounting bolts, mechanical brake arm, brake cable adjuster, brake cable clamps, 9" mechanical backing plates, mounting plates and 9" hub drums.



TRAILER WHEELS - Alloy Finish



STUD PATTERN:	SIZE:	OFFSET:	TYRE SIZE:	RATING:	FINISH:	PART NO:
FORD - 5 x 114.3mm	13"	0mm	165R13C	670kg	BLACK ALLOY	AW13FB
FORD - 5 x 114.3mm	14"	0mm	185R14LT	850kg	BLACK ALLOY	AW14FB

TRAILER WHEELS - Galvanised Finish

Multi-fit stud pattern Sunraysia style rims & tyres



STUD PATTERN:	SIZE:	OFFSET:	TYRE SIZE:	RATING:	FINISH:	PART NO:
FORD - 5 X 114.3mm HT - 5 X107.95mm	10"	0mm	5.00-10	437kg	GALVANISED	SW10HTFG
FORD - 5 X 114.3mm HT - 5 X107.95mm	13"	0mm	155R13C	515kg	GALVANISED	SW13HTFG
FORD - 5 x 114.3mm HT - 5 x 107.95mm	13"	0mm	165R13C	670kg	GALVANISED	SW13HTFG-165
FORD - 5 x 114.3mm HT - 5 x 107.95mm	14"	0mm	185R14C	850kg	GALVANISED	SW14HTFG
LANDCRUISER - 6 X 139.7mm	15"	0mm	LT235/75R15	1030kg	GALVANISED	SW15LOG

TRAILER WHEELS - Painted Finish

Sunraysia style rims & tyres



STUD PATTERN:	SIZE:	OFFSET:	TYRE SIZE:	RATING:	FINISH:	PART NO:
FORD - 5 X 114.3mm	13"	0mm	155/80	437kg	WHITE	SW13W
FORD - 5 X 114.3mm	14"	0mm	185R14C	850kg	WHITE	SW14FW
FORD - 5 X 114.3mm	14"	0mm	185R14C	850kg	BLACK	SW14FB
FORD - 5 X 114.3mm	14"	0mm	195R14C	950kg	WHITE	SW14FW-195
LANDCRUISER - 6 X 139.7mm	14"	0mm	185R14C	850kg	WHITE	SW14LW
LANDCRUISER - 6 X 139.7mm	15"	0mm	LT235/75R15	1030kg	BLACK	SW15LOB
LANDCRUISER - 6 X 139.7mm	15"	0mm	LT235/75R15	1030kg	WHITE	SW15LOW
LANDCRUISER - 6 X 139.7mm	16"	0mm	LT235/80R16	1597kg	BLACK	SW16LOB



SPARE WHEEL CARRIERS

CARRY AND SECURE YOUR SPARE WHEEL



- Suits most 4, 5 & 6 stud wheels
- Suits drawbar sizes 50 - 100mm
- Locking facility secures wheel and prevents theft

PART NO:	FINISH:	PACK TYPE:	INNER CARTON QUANTITY:	OUTER CARTON QUANTITY:
SWC46D	GALVANISED	DISPLAY	N/A	1

Spare Wheel Carrier
Suits 4, 5 & 6 stud wheels and drawbar sizes 50 - 100mm. Locking facility secures wheel & prevents theft.

Suits below Stud Patterns

Commodore	5 x 120mm	Landcruiser	6 x 139.7mm
HQ	5 x 120.65mm	Landcruiser	5 x 150mm
HT	5 x 107.95mm	Toyota/Datsun	4 x 114.3mm
Gemini/BMW	4 x 100mm	Mini	4 x 101.6mm
Ford	5 x 114.3mm	Subaru	5 x 100mm

SPARE WHEEL CARRIERS - TRAILER RESCUE KIT

Ark's Trailer Rescue Kit will allow you to carry a complete greased hub or disc hub assembly along with your spare wheel for occasions which are more than just a flat tyre. The Trailer Rescue Kit will suit most trailers, mount to either your draw bar or winch post in various positions and will get you back on the road in no time! It's a small investment for peace of mind.



Assembled with hub/disc hub

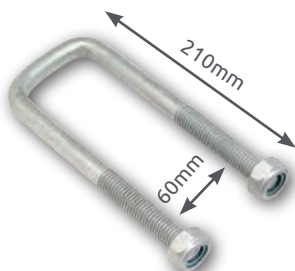


Assembled with hub/disc hub & spare wheel

PART NO:	FINISH:	PACK TYPE:	BEARING:	INNER CARTON QUANTITY:	OUTER CARTON QUANTITY:
TRH32	GALVANISED	DISPLAY	SUITS HOLDEN	1	4
TRF35	GALVANISED	DISPLAY	SUITS FORD	1	4

Ark Trailer Rescue Kit
Easy to mount, multiple mounting positions. Hub and spare wheel not included

U-BOLT - SPARE WHEEL



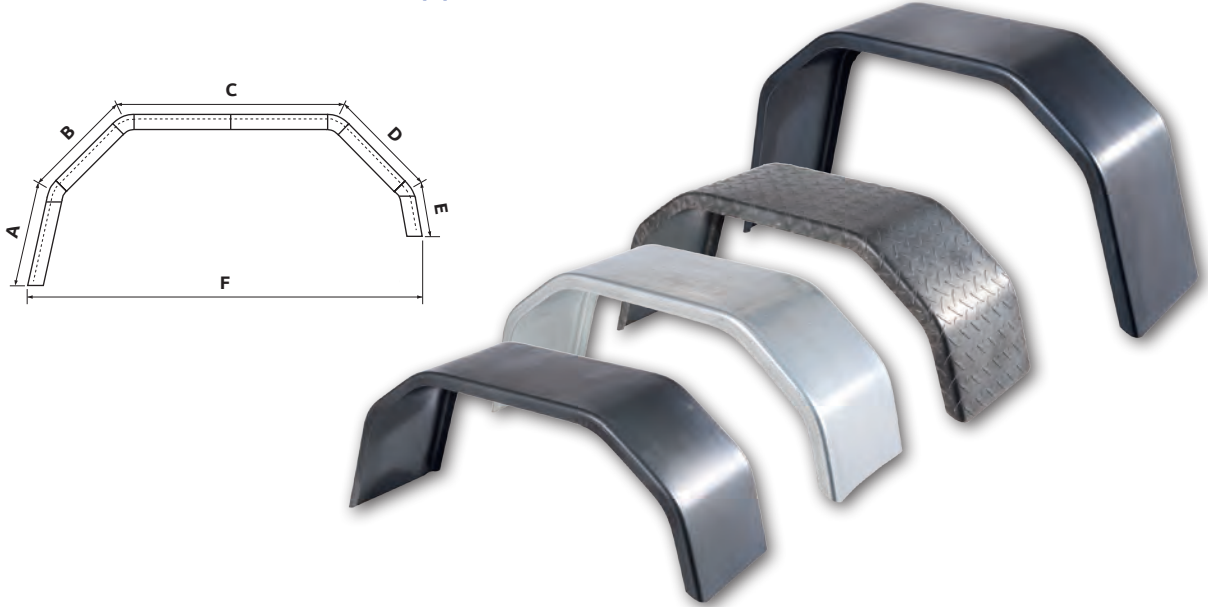
PART NO:	PACK TYPE:	INNER CARTON QUANTITY:	OUTER CARTON QUANTITY:
SWB210G	BULK	N/A	25

Spare Wheel U-bolt
U-bolt designed to fasten a spare wheel over a 50mm wide drawbar.

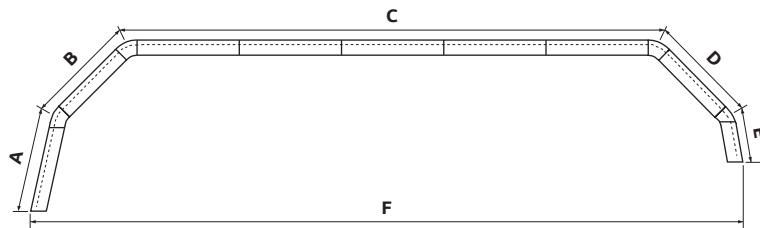
MUDGUARDS - Steel Finish

MUDGUARDS

Ark carries a comprehensive range of Australian made mudguards to suit most trailer applications and wheel sizes

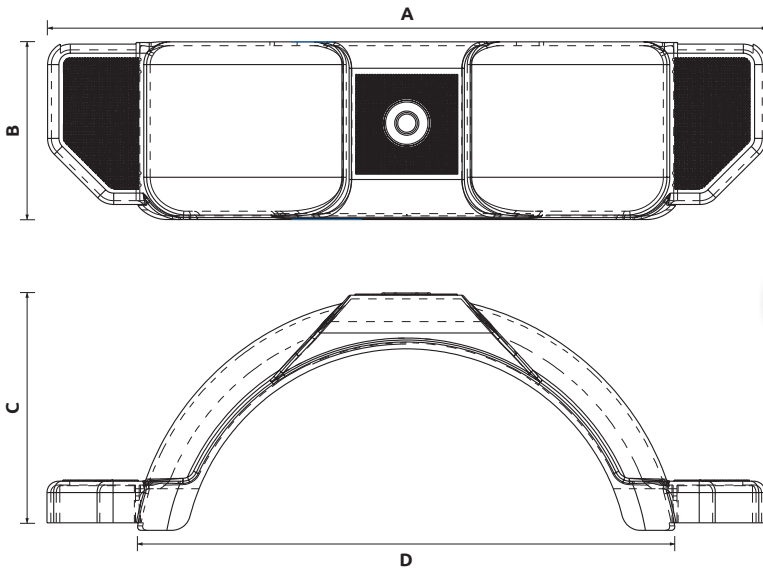


PART NO:	FINISH:	PACK TYPE:	SIZE:	AXLES:	"A"	"B"	"C"	"D"	"E"	"F"
MGS4F9B	PLAIN	BULK	9" - 4 fold	Single	270	210	395	215	155	850
MGS4F9CP	CHECKER PLATE	BULK	9" - 4 fold	Single	270	210	395	215	155	850
MGS4F9G	GALVANISED	BULK	9" - 4 fold	Single	270	210	395	215	155	850
MGS4F10B	PLAIN	BULK	10" - 4 fold	Single	270	210	395	215	155	850
MGS4F10CP	CHECKER PLATE	BULK	10" - 4 fold	Single	270	210	395	215	155	850
MGS4F10G	GALVANISED	BULK	10" - 4 fold	Single	270	210	395	215	155	850
MGS4F10LC	PLAIN	BULK	10" - 4 fold	Single	390	250	440	200	315	970
MGS4F10LCCP	CHECKER PLATE	BULK	10" - 4 fold	Single	390	250	440	200	315	970
MGS4F12LC	PLAIN	BULK	12" - 4 fold	Single	390	250	440	200	315	970
MGS4F12LCCP	CHECKER PLATE	BULK	12" - 4 fold	Single	390	250	440	200	315	970



PART NO:	FINISH:	PACK TYPE:	SIZE:	AXLES:	"A"	"B"	"C"	"D"	"E"	"F"
MGT4F984B	PLAIN	BULK	9" x 84" - 4 fold	Tandem	310	270	1075	260	225	1560
MGT4F984CP	CHECKER PLATE	BULK	9" x 84" - 4 fold	Tandem	310	270	1075	260	225	1560
MGT4F1084B	PLAIN	BULK	10" x 84" - 4 fold	Tandem	310	270	1075	260	255	1560
MGT4F1084CP	CHECKER PLATE	BULK	10" x 84" - 4 fold	Tandem	310	270	1075	260	255	1560
MGT4F991B	PLAIN	BULK	9" x 91" - 4 fold	Tandem	310	270	1255	260	225	1740
MGT4F991CP	CHECKER PLATE	BULK	9" x 91" - 4 fold	Tandem	310	270	1255	260	225	1740
MGT4F1091B	PLAIN	BULK	10" x 91" - 4 fold	Tandem	310	270	1255	260	225	1740
MGT4F1091CP	CHECKER PLATE	BULK	10" x 91" - 4 fold	Tandem	310	270	1255	260	225	1740
MGT4F996CP	CHECKER PLATE	BULK	9" x 96" - 4 fold	Tandem	310	270	1375	260	225	1860
MGT4F1096CP	CHECKER PLATE	BULK	10" x 96" - 4 fold	Tandem	310	270	1375	260	225	1860

MUDGUARDS - Plastic Finish



PART NO:	FINISH:	PACK TYPE:	SIZE:	AXLES:	"A"	"B"	"C"	"D"
MGP13B	BLACK	BULK	13"	Single	950	235	301	716
MGP13W	WHITE	BULK	13"	Single	950	235	301	716
MGP14B	BLACK	BULK	14"	Single	1075	255	331	780
MGP14W	WHITE	BULK	14"	Single	1075	255	331	780

WINCHES - 12V



BONUS
Wireless Controller

PART NO: WXO45S PACK TYPE: BULK

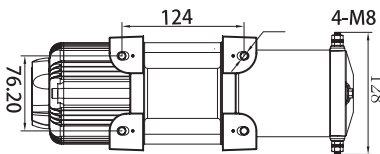
WXO45S	BULK
Winch	
• Rated Line Pull: 4500lb (2041kg) single-line	
• Motor: 3.5hp/2.6kw 12V, Permanent Magnet Motor	
• Gear Train: 3-Stage planetary	
• Gear Reduction Ratio: 166:1	
• Clutch: rotate 92°	
• Synthetic Rope	
• Drum Size: Ø51mm x 75mm	
• Overall Dimensions: 12.9"(l) x 5.0"(w) x 4.8"(h) 327mm(l) x 128mm(w) x 122mm(h)	
• Gross Weight: 25lbs (11.5kg)	
• Duty Cycle: Intermittently	
• Fairlead: aluminium fairlead	
• Package: 1pc/box (420 x 320 x 150mm)	
• Mounting Bolt Pattern: 4.9" x 3.0" (124 x 76.2mm)	
• Remote Control included	

Product may vary from image shown

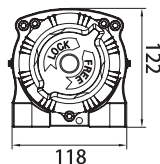
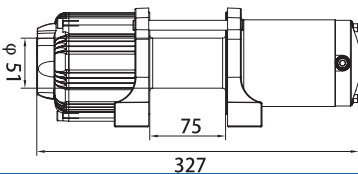
Line Speed & Amp Draw-First Layer

Line Pull	lbs	NO	1000	2000	3000	4500
	kgs	LOAD	454	907	1361	2041
Line Speed	ft/min		14.4	9.8	8.2	6.9
	m/min		4.4	3.0	2.5	2.1
Motor Current	AMPS		35	92	120	160
					220	

Mounting Bolt Pattern



Dimensions



Line Pull and Cable Capacity

Layer of Cable		1	2	3	4
Rated Line	lbs	4500	3840	3309	2907
Pull Per Layer	kgs	2041	1742	1501	1319
Cumulative	ft	12.1	21.9	42.0	49.2
Cable Capacity	m	3.7	6.7	12.8	15

WINCHES - 12V



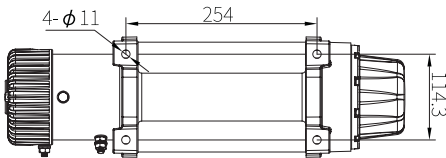
BONUS
Wireless Controller

PART NO: PACK TYPE:

WX090S	BULK
Winch	
• Rated Line Pull: 9000lb (4077kg) single-line	
• Motor: 5.2hp/3.9kw 12V, Series Wound Motor	
• Gear Train: 3-Stage planetary	
• Gear Reduction Ratio: 216:1 or 150:1	
• Clutch: Up and down 90°	
• Synthetic Rope	
• Drum Size: Ø64mm x 224mm	
• Overall Dimensions: 21.1"(l) x 6.4"(w) x 6.7"(h) 535mm(l) x 162mm(w) x 170mm(h)	
• Gross Weigh: 59lbs (26.8kg)	
• Duty Cycle: Intermittently	
• Fairlead: aluminium fairlead	
• Package: 1pc/box (600 x 245 x 370mm)	
• Mounting Bolt Pattern: 10" x 4.5" (254 x 114.3mm)	
• Remote Control included	

Product may vary from image shown

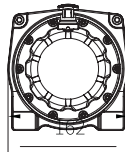
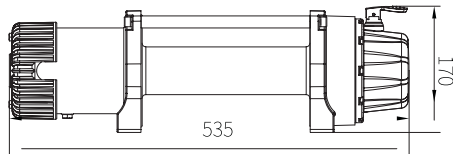
Mounting Bolt Pattern



Line Speed & Amp Draw-First Layer

Line Pull	lbs	NO LOAD	2000	4000	6000	8000	9000
	kgs		907	1814	2721	3630	4077
Line Speed	ft/min	30.2	20.7	18.0	13.8	10.2	7.9
	m/min	9.2	6.3	5.5	4.2	3.1	2.4
Motor Current	AMPS	75	95	195	240	291	325

Dimensions



Line Pull and Cable Capacity

Layer of Cable		1	2	3	4
Rated Line	lbs	9000	8432	7640	7086
Pull Per Layer	kgs	4077	3825	3465	3214
Cumulative	ft	16	39	69	89
Cable Capacity	m	5	12	21	27



GAS BOTTLE HOLDERS

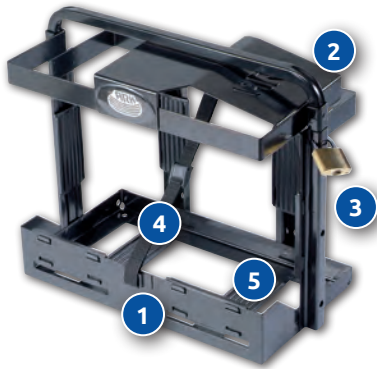
Galvanised body with zinc plated mounts for welding.



PART NO:	PACK TYPE:	SUITS GAS BOTTLE:	INNER CARTON QUANTITY:	OUTER CARTON QUANTITY:
GBH4G	BULK	4KG	N/A	1
GBH9G	BULK	9KG	N/A	1

Adjustable Gas Bottle Holder
Suits 4kg gas bottles 260mm(w) x 175mm(h) and 9kg gas bottles 310mm(w) x 250mm(h)

JERRY CAN HOLDERS



- 1 Heavy duty frame with powder coated finish
- 2 Anti-siphon petrol lid protector
- 3 Anti-theft adjustable bar with padlock
- 4 Anti-rattle adjustable strap
- 5 Soft rubber pads on all sides

PART NO:	PACK TYPE:	INNER CARTON QUANTITY:	OUTER CARTON QUANTITY:
JCHF20D	DISPLAY	N/A	1

Front Loading Jerry Can Holder
Front loading feature allows easy access where top loading is not possible. Carries & secures jerry cans up to 355mm(w) x 195mm(d) x 510mm(h)



Remove padlock and adjustable strap. Raise anti-theft bar.



Tilt jerry can forwards, place in base first, then lean back.



Lower anti-theft bar, lock padlock and secure adjustable strap.



PART NO:	PACK TYPE:	INNER CARTON QUANTITY:	OUTER CARTON QUANTITY:
JCH1020D	DISPLAY	N/A	1

Jerry Can Holder - Top Loading
Carries and secures jerry cans up to 355mm(w) x 180mm(d) x 477mm(h)

DID YOU KNOW?
Ark Corporation first invented the Lockable Jerry Can Holder, filing the patent back in October of 2007.



PART NO:	PACK TYPE:	INNER CARTON QUANTITY:	OUTER CARTON QUANTITY:
JCH300Z	BULK	N/A	1

Standard Jerry Can Holder
Zinc plated, weld-on. 370mm(d) x 180mm(w) x 300mm(h)

HYDRAULIC TIPPER KIT

PART NO: PACK TYPE:

HLK35 BULK

5 Ton. Hydraulic Tipper Kit. 4 Stage Cylinder. 800 Stroke

- 12V motor
- 2.5cc pump
- 10L steel square tank
- Solenoid lowering valve
- 3m break-away pendant
- 2m 3/8" 2 wire hose assembly
- Adaptors and elbows

PART NO: PACK TYPE:

HLK95 BULK

9 Ton. Hydraulic Tipper Kit. 6 Stage Cylinder. 1250 Stroke

- 12V motor
- 2.5cc pump
- 10L steel square tank
- Solenoid lowering valve
- 3m break-away pendant
- 2.5m 3/8" 2 wire hose assembly
- Adaptors and elbows

PART NO: PACK TYPE:

HLK65 BULK

6 Ton. Hydraulic Tipper Kit. 6 Stage Cylinder. 1000 Stroke

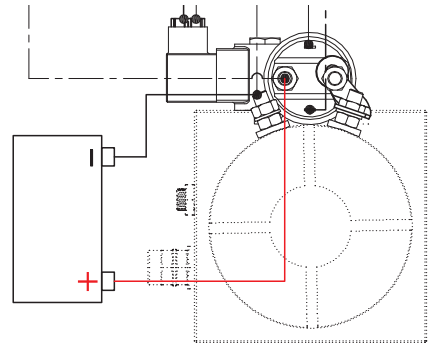
- 12V motor
- 2.5cc pump
- 10L steel square tank
- Solenoid lowering valve
- 3m break-away pendant
- 2m 3/8" 2 wire hose assembly
- Adaptors and elbows

PART NO: PACK TYPE:

HLK95BXXL BULK

9 Ton. Hydraulic Tipper Kit. 6 Stage Cylinder. 1500 Stroke

- 12V motor
- 2.5cc pump
- 15L steel square tank
- Solenoid lowering valve
- 3m break-away pendant
- 3m 3/8" 2 wire hose assembly
- Adaptors and elbows



SPECIFICATIONS

MOTOR	VALVE VOLTAGE	OIL PUMP	OIL TANK	SYSTEM PRESSURE
DC12V 1.6KW 2500RPM	DC12V	2.5CC/R	10L	16MPA
SETTING MODEL	OIL PORT	REMOTE	HYDRAULIC CYLINDER	
HORIZONTAL TYPE	G 3/8"	YES	4 STAGE	

HYDRAULIC TIPPER KIT - Replacement Parts



PART NO: PACK TYPE: LENGTH:

HLK2	BULK	2M
HLK25	BULK	2.5M
HLK3	BULK	3M

Hydraulic Hose
Suitable for all kits



PART NO: PACK TYPE:

HLKE BULK

90° Elbow Connection
from hydraulic hose to telescopic cylinder



PART NO: PACK TYPE:

HLKDP BULK

Hydraulic lift kit tray deck pads
- Set of 2

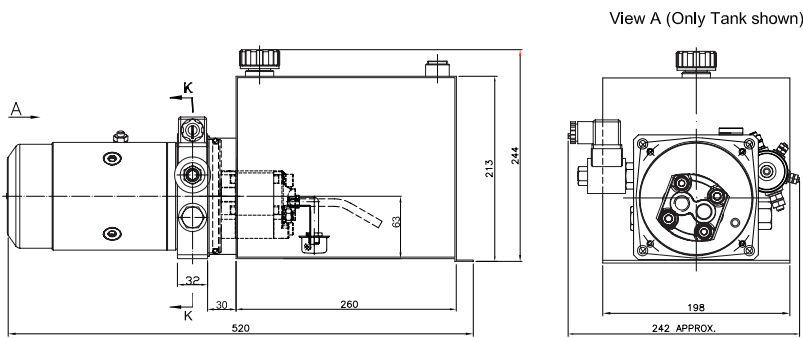


PART NO: PACK TYPE:

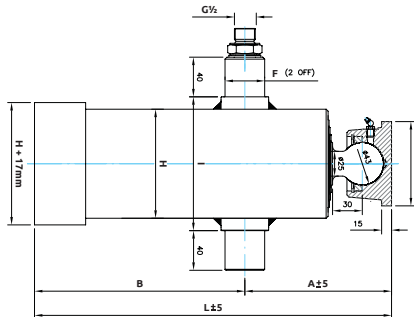
HLKTH BULK

Hydraulic lift kits tray hinge kits
- Set of 2

HYDRAULIC TIPPER KIT - Replacement Parts



PART NO:	PACK TYPE:
HLKP/PACK	BULK
Hydraulic Powerpack Motor	
12V Motor, 2.5cc Pump	



PART NO:	EXTENSION:	STROKE:	RATING:	VOLUME:	WEIGHT:	"A"	"B"	"F"	"H"	"I"	"L"	PACK TYPE:
HLKR35	4	800	5	3.2	21	155	223	40	112	135	378	BULK
HLKR65	6	1000	6	4.2	23	160	186	40	125	150	346	BULK
HLKR95	6	1250	9	4.7	33	160	231	45	142	165	391	BULK

Hydraulic Telescopic Cylinders



PART NO:	PACK TYPE:
HLKTM	BULK
Hydraulic Telescopic Cylinder	
Trunion mounts suitable for HLK35 & HLK65 kits - Set of 2	



PART NO:	PACK TYPE:
HLKN	BULK
Greased nipple to suit trunion mounts	



PART NO:	PACK TYPE:
HLK-OIL	BULK
Valvoline Ultramax 32	
Hydraulic Oil 5L	



PART NO:	PACK TYPE:
HLK-BTI	BULK
Battery terminal isolator	



PART NO:	PACK TYPE:
HLKRCP	BULK
Pendant Remote Control	
Suitable for all kits	

AXLES - CUSTOMISED



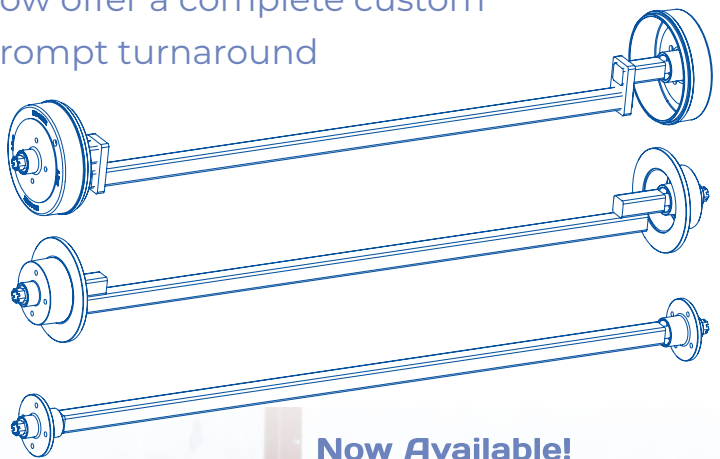
CUSTOMISED AXLES

Ark has expanded its facility and with the purchase of a new state of the art CNC lathe can now offer a complete custom axle fabrication service with a prompt turnaround time effectively increasing productivity for our customers

Options are now available between imported axles and Australian made steel and with a semi-automated cutting line, axles can be cut and machined from the shortest of stubs to axles up to and including 100" in length.

Ark has also included multiple welding stations within its expansion and have the capability of offering custom overlay, drop and straight beam axles from 39mm to 50mm in size fitted with either mechanical, hydraulic and electric brakes.

Our friendly staff are available to help with any axle enquiry and can tailor an axle to suite your needs.



Now Available!

**JAPANESE
BEARINGS**



AXLES - STRAIGHT BEAM (39mm)

39mm round solid steel. Suits LM bearings. All axles supplied complete with slotted nuts, split pins and washers.



PART NO:	LENGTH:	CAPACITY:	AXLE STYLE:	FINISH:	PACK TYPE:
AXS3960G	39mm x 60" (152.5cm)	750kg	Round	GALVANISED	BULK
AXS3963G	39mm x 63" (160cm)	750kg	Round	GALVANISED	BULK
AXS3964G	39mm x 64" (162.5cm)	750kg	Round	GALVANISED	BULK
AXS3966G	39mm x 66" (167.5cm)	750kg	Round	GALVANISED	BULK
AXS3968G	39mm x 68" (173cm)	750kg	Round	GALVANISED	BULK
AXS3971G	39mm x 71" (180.5cm)	750kg	Round	GALVANISED	BULK
AXS3972G	39mm x 72" (183cm)	750kg	Round	GALVANISED	BULK
AXS3973G	39mm x 73" (185.5cm)	750kg	Round	GALVANISED	BULK
AXS3976G	39mm x 76" (193cm)	750kg	Round	GALVANISED	BULK

PART NO:	LENGTH:	CAPACITY:	AXLE STYLE:	FINISH:	PACK TYPE:
AXS3959	39mm x 59" (150cm)	750kg	Round	BLACK	BULK
AXS3960	39mm x 60" (152.5cm)	750kg	Round	BLACK	BULK
AXS3963	39mm x 63" (160cm)	750kg	Round	BLACK	BULK
AXS3964	39mm x 64" (162.5cm)	750kg	Round	BLACK	BULK
AXS3965	39mm x 65" (165cm)	750kg	Round	BLACK	BULK
AXS3966	39mm x 66" (167.5cm)	750kg	Round	BLACK	BULK
AXS3967	39mm x 67" (170cm)	750kg	Round	BLACK	BULK
AXS3968	39mm x 68" (173cm)	750kg	Round	BLACK	BULK
AXS3971	39mm x 71" (180.5cm)	750kg	Round	BLACK	BULK
AXS3972	39mm x 72" (183cm)	750kg	Round	BLACK	BULK
AXS3973	39mm x 73" (185.5cm)	750kg	Round	BLACK	BULK
AXS3974	39mm x 74" (188cm)	750kg	Round	BLACK	BULK
AXS3977	39mm x 77" (195.5cm)	750kg	Round	BLACK	BULK
AXS3978	39mm x 78" (198cm)	750kg	Round	BLACK	BULK
AXS3979	39mm x 79" (201cm)	750kg	Round	BLACK	BULK

AXLES - STRAIGHT BEAM (40mm)

40mm square solid steel. Suits LM bearings. All axles supplied complete with slotted nuts, split pins and washers.



PART NO:	LENGTH:	CAPACITY:	AXLE STYLE:	FINISH:	PACK TYPE:
AXS4068G	40mm x 68" (173cm)	1000kg	Square	GALVANISED	BULK
AXS4071G	40mm x 71" (180.5cm)	1000kg	Square	GALVANISED	BULK
AXS4073G	40mm x 73" (185.4cm)	1000kg	Square	GALVANISED	BULK
AXS4075G	40mm x 75" (190.5cm)	1000kg	Square	GALVANISED	BULK
AXS4077G	40mm x 77" (195.5cm)	1000kg	Square	GALVANISED	BULK
AXS4079G	40mm x 79" (201cm)	1000kg	Square	GALVANISED	BULK
AXS4080G	40mm x 80" (203cm)	1000kg	Square	GALVANISED	BULK
AXS4085G	40mm x 85" (216cm)	1000kg	Square	GALVANISED	BULK
AXS4089G	40mm x 89" (226cm)	1000kg	Square	GALVANISED	BULK
AXS4095G	40mm x 95" (241.3cm)	1000kg	Square	GALVANISED	BULK

AXLES - STRAIGHT BEAM (40mm)

40mm square solid steel. Suits LM bearings. All axles supplied complete with slotted nuts, split pins and washers.



PART NO:	LENGTH:	CAPACITY:	AXLE STYLE:	FINISH:	PACK TYPE:
AXS4065	40mm x 65" (165cm)	1000kg	Square	BLACK	BULK
AXS4066	40mm x 66" (167.5cm)	1000kg	Square	BLACK	BULK
AXS4067	40mm x 67" (170cm)	1000kg	Square	BLACK	BULK
AXS4068	40mm x 68" (173cm)	1000kg	Square	BLACK	BULK
AXS4070	40mm x 70" (178cm)	1000kg	Square	BLACK	BULK
AXS4071	40mm x 71" (180.5cm)	1000kg	Square	BLACK	BULK
AXS4073	40mm x 73" (185.5cm)	1000kg	Square	BLACK	BULK
AXS4075	40mm x 75" (190.5cm)	1000kg	Square	BLACK	BULK
AXS4076	40mm x 76" (193cm)	1000kg	Square	BLACK	BULK
AXS4077	40mm x 77" (195.5cm)	1000kg	Square	BLACK	BULK
AXS4078	40mm x 78" (198cm)	1000kg	Square	BLACK	BULK
AXS4079	40mm x 79" (201cm)	1000kg	Square	BLACK	BULK
AXS4080	40mm x 80" (203cm)	1000kg	Square	BLACK	BULK
AXS4081	40mm x 81" (206cm)	1000kg	Square	BLACK	BULK
AXS4083	40mm x 83" (211cm)	1000kg	Square	BLACK	BULK
AXS4089	40mm x 89" (226cm)	1000kg	Square	BLACK	BULK
AXS4091	40mm x 91" (231cm)	1000kg	Square	BLACK	BULK
AXS4095	40mm x 95" (241.5cm)	1000kg	Square	BLACK	BULK
AXS4096	40mm x 96" (244cm)	1000kg	Square	BLACK	BULK
AXS4097	40mm x 97" (246.5cm)	1000kg	Square	BLACK	BULK

AXLES - STRAIGHT BEAM (45mm)

45mm square solid steel. Suits slimline bearings. All axles supplied complete with slotted nuts, split pins and washers.



PART NO:	LENGTH:	CAPACITY:	AXLE STYLE:	FINISH:	PACK TYPE:
AXS4580G	45mm x 80" (203cm)	1500kg	Square	GALVANISED	BULK
AXS4581G	45mm x 81" (206cm)	1500kg	Square	GALVANISED	BULK
AXS4585G	45mm x 85" (216cm)	1500kg	Square	GALVANISED	BULK
AXS4589G	45mm x 89" (226cm)	1500kg	Square	GALVANISED	BULK
AXS4591G	45mm x 91" (231cm)	1500kg	Square	GALVANISED	BULK

PART NO:	LENGTH:	CAPACITY:	AXLE STYLE:	FINISH:	PACK TYPE:
AXS4561	45mm x 61" (155cm)	1500kg	Square	BLACK	BULK
AXS4564	45mm x 64" (162.5cm)	1500kg	Square	BLACK	BULK
AXS4565	45mm x 65" (165cm)	1500kg	Square	BLACK	BULK
AXS4566	45mm x 66" (167.5cm)	1500kg	Square	BLACK	BULK
AXS4567	45mm x 67" (170cm)	1500kg	Square	BLACK	BULK
AXS4571	45mm x 71" (180.5cm)	1500kg	Square	BLACK	BULK
AXS4572	45mm x 72" (183cm)	1500kg	Square	BLACK	BULK
AXS4575	45mm x 75" (190.5cm)	1500kg	Square	BLACK	BULK
AXS4576	45mm x 76" (193cm)	1500kg	Square	BLACK	BULK
AXS4577	45mm x 77" (195.5cm)	1500kg	Square	BLACK	BULK
AXS4578	45mm x 78" (198cm)	1500kg	Square	BLACK	BULK
AXS4579	45mm x 79" (201cm)	1500kg	Square	BLACK	BULK
AXS4585	45mm x 85" (216cm)	1500kg	Square	BLACK	BULK
AXS4589	45mm x 89" (226cm)	1500kg	Square	BLACK	BULK
AXS4590	45mm x 90" (229cm)	1500kg	Square	BLACK	BULK
AXS4591	45mm x 91" (231cm)	1500kg	Square	BLACK	BULK
AXS4593	45mm x 93" (236cm)	1500kg	Square	BLACK	BULK
AXS4595	45mm x 95" (241.5cm)	1500kg	Square	BLACK	BULK
AXS4597	45mm x 97" (246.5cm)	1500kg	Square	BLACK	BULK

AXLES - STRAIGHT BEAM (50mm)

50mm square solid steel. Suits Dexter Style bearings. Carrying capacity 2000kg. All axles supplied complete with slotted nuts, split pins and washers.



PART NO:	LENGTH:	CAPACITY:	AXLE STYLE:	FINISH:	PACK TYPE:
AXS5071GD	50mm x 71" (180.5cm)	2000kg	Square	GALVANISED	BULK
AXS5072GD	50mm x 74" (188cm)	2000kg	Square	GALVANISED	BULK
AXS5076GD	50mm x 76" (193cm)	2000kg	Square	GALVANISED	BULK
AXS5079GD	50mm x 79" (201cm)	2000kg	Square	GALVANISED	BULK
AXS5089GD	50mm x 87" (226cm)	2000kg	Square	GALVANISED	BULK
AXS5090GD	50mm x 90" (229cm)	2000kg	Square	GALVANISED	BULK
AXS5095GD	50mm x 95" (241.5cm)	2000kg	Square	GALVANISED	BULK

PART NO:	LENGTH:	CAPACITY:	AXLE STYLE:	FINISH:	PACK TYPE:
AXS5071D	50mm x 71" (180.5cm)	2000kg	Square	BLACK	BULK
AXS5072D	50mm x 74" (188cm)	2000kg	Square	BLACK	BULK
AXS5076D	50mm x 76" (193cm)	2000kg	Square	BLACK	BULK
AXS5079D	50mm x 79" (201cm)	2000kg	Square	BLACK	BULK
AXS5089D	50mm x 87" (226cm)	2000kg	Square	BLACK	BULK
AXS5090D	50mm x 90" (229cm)	2000kg	Square	BLACK	BULK
AXS5095D	50mm x 95" (241.5cm)	2000kg	Square	BLACK	BULK

AXLES - STUB



Suits LM Holden bearings LM67048/10 & LM11949/10. All axles supplied complete with slotted nuts, split pins and washers.

PART NO:	LENGTH:	CAPACITY:	AXLE STYLE:	FINISH:	PACK TYPE:
SAX398	39mm x 8" (20.5cm)	750kg/pr	Round	BLACK	BULK
SAX399	39mm x 9" (23cm)	750kg/pr	Round	BLACK	BULK
SAX3910	39mm x 10" (25.5cm)	750kg/pr	Round	BLACK	BULK
SAX3912	39mm x 12" (30.5cm)	750kg/pr	Round	BLACK	BULK



Suits LM Holden bearings LM67048/10 & LM11949/10. All axles supplied complete with slotted nuts, split pins and washers.

PART NO:	LENGTH:	CAPACITY:	AXLE STYLE:	FINISH:	PACK TYPE:
SAX409	40mm x 9" (23cm)	1000kg/pr	Square	BLACK	BULK
SAX4010	40mm x 10" (25.5cm)	1000kg/pr	Square	BLACK	BULK
SAX4012	40mm x 12" (30.5cm)	1000kg/pr	Square	BLACK	BULK



Suits slim line Ford bearings L68149/10 & LM12749/10. All axles supplied complete with slotted nuts, split pins and washers.

PART NO:	LENGTH:	CAPACITY:	AXLE STYLE:	FINISH:	PACK TYPE:
SAX459	45mm x 9" (23cm)	1500kg/pr	Square	BLACK	BULK
SAX4510	45mm x 10" (25.5cm)	1500kg/pr	Square	BLACK	BULK
SAX4512	45mm x 12" (30.5cm)	1500kg/pr	Square	BLACK	BULK
SAX459P	45mm x 9" (23cm)	1750kg/pr	Square / Parallel	BLACK	BULK



Suits 12" Landcruiser bearing 4T-15123/15241 & 4T-30210. All axles supplied complete with slotted nuts, split pins and washers.

PART NO:	LENGTH:	CAPACITY:	AXLE STYLE:	FINISH:	PACK TYPE:
SAX5010	50mm x 10" (25.5cm)	2000kg/pr	Square	BLACK	BULK

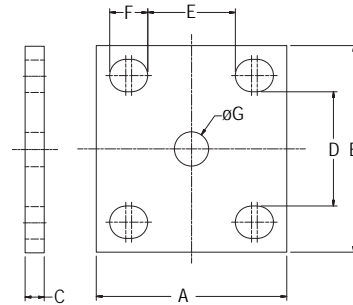
AXLE DROP PLATES

Drop plates are typically used on trailers where low access is required such as race car trailers or horse floats, these plates join the main axle beam to a stub axle essentially creating the “drop” to lower the trailer chassis closer to the ground.



PART NO:	FINISH:	PACK TYPE:	AXLE BEAM	UPPER STUB	DROP
DP403	RAW STEEL	BULK	40mm Square	39mm Round	3" (75mm)
DP404	RAW STEEL	BULK	40mm Square	39mm Round	4" (100mm)
DP453	RAW STEEL	BULK	45mm Square	45mm Square	3" (75mm)
DP454	RAW STEEL	BULK	45mm Square	45mm Square	4" (100mm)
DP503	RAW STEEL	BULK	50mm Square	50mm Square	3" (75mm)
DP504	RAW STEEL	BULK	50mm Square	50mm Square	4" (100mm)

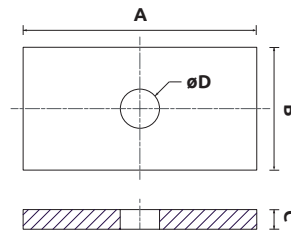
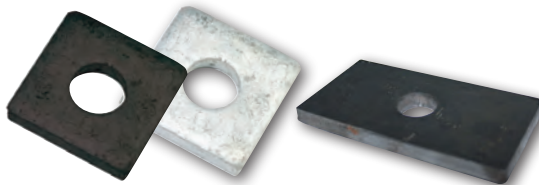
FISH PLATES



PART NO:	FINISH:	PACK TYPE:	"A" (mm)	"B" (mm)	"C" (mm)	"D" (mm)	"E" (mm)	"F" (mm)	"G" (mm)	SUITS AXLE (mm)	SUITS SPRING WIDTH (mm)	INNER CARTON QUANTITY:	OUTER CARTON QUANTITY:
FP3950	BLACK	BULK	95	90	7	45	39	20	16	39 - 45	45	N/A	25
FP3950G	GALVANISED	BULK	95	90	7	45	39	20	16	39 - 45	45	N/A	25
FP3950GB	GALVANISED	BLISTER	95	90	7	45	39	20	16	39 - 45	45	5	25
FP4550	BLACK	BULK	100	110	10	60	45	20	18	45 - 50	60	N/A	20
FP4550G	GALVANISED	BULK	100	110	10	60	45	20	18	45 - 50	60	N/A	20

Fish Plates

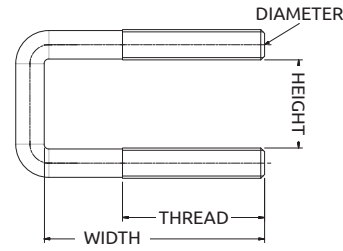
AXLE PADS



PART NO:	FINISH:	PACK TYPE:	"A" (mm)	"B" (mm)	"C" (mm)	"D" (mm)	SUITS AXLE (mm)	SUITS SPRING WIDTH (mm)	INNER CARTON QUANTITY:	OUTER CARTON QUANTITY:
SP45	BLACK	BULK	40	40	7	16	39 - 45	45	N/A	100
SP45G	GALVANISED	BULK	40	40	7	16	39 - 45	45	N/A	100
SP45GB	GALVANISED	BLISTER	40	40	7	16	39 - 45	45	10	100
SP95	BLACK	BULK	95	50	8	16	45 - 50	60	N/A	50
SP95G	GALVANISED	BULK	95	50	8	16	45 - 50	60	N/A	50

Axle Spring Pads

U-BOLTS - AXLE



PART NO:	FINISH:	PACK TYPE:	HEIGHT (mm)	WIDTH (mm)	THREAD LENGTH (mm)	DIAMETER (INCHES)	SUITS AXLE (mm)	SUITS SPRING WIDTH (mm)	INNER CARTON QUANTITY:	OUTER CARTON QUANTITY:
UB39	BLACK	BULK	39	120	60	½	39 Round	45	N/A	50
UB39G	GALVANISED	BULK	39	120	60	½	39 Round	45	N/A	50
UB39GB	GALVANISED	BLISTER - SET OF 2	39	120	60	½	39 Round	45	5	25
UB39SG	GALVANISED	BULK	39	100	60	½	39 Round	45	N/A	50
UB40	BLACK	BULK	40	130	60	½	40 Square	45	N/A	50
UB40G	GALVANISED	BULK	40	130	60	½	40 Square	45	N/A	50
UB40GB	GALVANISED	BLISTER - SET OF 2	40	130	60	½	40 Square	45	5	25
UB45	BLACK	BULK	45	140	60	½	45 Square	45	N/A	50
UB45G	GALVANISED	BULK	45	140	60	½	45 Square	45	N/A	50
UB45GB	GALVANISED	BLISTER - SET OF 2	45	140	60	½	45 Square	45	5	25
UB4515	BLACK	BULK	45	160	80	¾	45 Square	60	N/A	35
UB4515G	GALVANISED	BULK	45	160	80	¾	45 Square	60	N/A	20
UB5015	BLACK	BULK	50	160	80	¾	50 Square	60	N/A	35
UB5015G	GALVANISED	BULK	50	160	80	¾	50 Square	60	N/A	20

Axle U-bolts

Available in various sizes and finishes.

AXLE NUTS, WASHERS & SPLIT PINS



PART NO:	FINISH:	PACK TYPE:	INNER CARTON QUANTITY:	OUTER CARTON QUANTITY:
ANPW34B	ZINC	BLISTER	10	100

Axle Slotted Nuts, Split Pins & Washers
Set of 2.

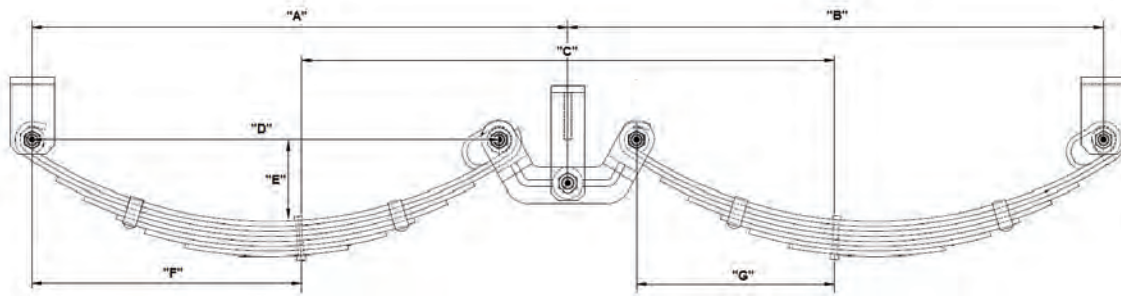


PART NO:	TYPE:	FINISH:	PACK TYPE:	THREAD SIZE:	INNER CARTON QUANTITY:	OUTER CARTON QUANTITY:
AN34	NUT	ZINC	BULK	¾"	N/A	100
AW34	WASHER	ZINC	BULK	¾"	N/A	100
ASP34	SPLIT PIN	ZINC	BULK	¾"	N/A	100
AN1	NUT	ZINC	BULK	1"	N/A	100
AW1	WASHER	ZINC	BULK	1"	N/A	100
ASP1	SPLIT PIN	ZINC	BULK	1"	N/A	100

Axle, Washer & Split Pins.

Hardened Steel with UNF thread, available in many sizes

ROCKER ROLLER SUSPENSION KITS



FRONT SPRING

REAR SPRING

PART NO:	"A" (mm)	"B" (mm)	"C" (mm)	"D" (mm)	"E" (mm)	"F" (mm)	"G" (mm)	KIT SIDE:	FINISH:
RRS2TBLH	788	788	785	687	117	396	291	LEFT	PAINTED
RRS2TBRH	788	788	785	687	117	396	291	RIGHT	PAINTED
RRS2TGLH	788	788	785	687	117	396	291	LEFT	GALVANISED
RRS2TGRH	788	788	785	687	117	396	291	RIGHT	GALVANISED

60mm x 5 Leaf - 2000kg Rocker Roller Suspension kit, suits 13-14" wheels

PART NO:	"A" (mm)	"B" (mm)	"C" (mm)	"D" (mm)	"E" (mm)	"F" (mm)	"G" (mm)	KIT SIDE:	FINISH:
RRS3TBLH	788	788	785	687	117	396	291	LEFT	PAINTED
RRS3TBRH	788	788	785	687	117	396	291	RIGHT	PAINTED
RRS3TGLH	788	788	785	687	117	396	291	LEFT	GALVANISED
RRS3TGRH	788	788	785	687	117	396	291	RIGHT	GALVANISED

60mm x 7 Leaf - 3000kg Rocker Roller Suspension kit, suits 14" wheels

PART NO:	"A" (mm)	"B" (mm)	"C" (mm)	"D" (mm)	"E" (mm)	"F" (mm)	"G" (mm)	KIT SIDE:	FINISH:
RRS4TBLH	787	787	888	686	117	343	343	LEFT	PAINTED
RRS4TBRH	787	787	888	686	117	343	343	RIGHT	PAINTED
RRS4TGLH	787	787	888	686	117	343	343	LEFT	GALVANISED
RRS4TGRH	787	787	888	686	117	343	343	RIGHT	GALVANISED

60mm x 8 Leaf - 4000kg Rocker Roller Suspension kit, suits 15" wheels

PART NO:	"A" (mm)	"B" (mm)	"C" (mm)	"D" (mm)	"E" (mm)	"F" (mm)	"G" (mm)	KIT SIDE:	FINISH:
RRS4TOBLH	788	788	785	687	117	396	291	LEFT	PAINTED
RRS4TOBRH	788	788	785	687	117	396	291	RIGHT	PAINTED
RRS4TOGLH	788	788	785	687	117	396	291	LEFT	GALVANISED
RRS4TOGRH	788	788	785	687	117	396	291	RIGHT	GALVANISED

60mm x 8 Leaf - 4000kg Offset Rocker Roller Suspension kit, suits 14" wheels

ROCKER ROLLER PARTS



PART NO:	FINISH:	PACK TYPE:
RRA24B	BLACK	BULK
RRA24G	GALVANISED	BULK

Main Rocker Arm
Suits 2, 3 & 4 Tonne Rocker kits



PART NO:	FINISH:	PACK TYPE:
RRAH45	BLACK	BULK

Main Rocker Arm Trailer Hanger
Suits 2, 3 & 4 Tonne Rocker kits



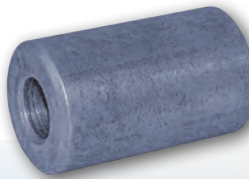
PART NO:	FINISH:	PACK TYPE:
RRSH60	BLACK	BULK

Rocker Spring Hanger
Suits 2, 3 & 4 Tonne Rocker kits



PART NO:	FINISH:	PACK TYPE:
RRGN	ZINC	BULK

Rocker Grease Nipple
Suits both centre pin & shackle pin for rocker kits



PART NO:	FINISH:	PACK TYPE:
RRSB60	PLAIN	BULK

Rocker Steel Bush 60mm wide
Suits 2, 3 & 4 Tonne Rocker kits



PART NO:	FINISH:	PACK TYPE:
RRNB60	NYLON	BULK

Rocker Spring Eye Nylon Bush 60mm wide
Suits 2, 3 & 4 Tonne Rocker kits



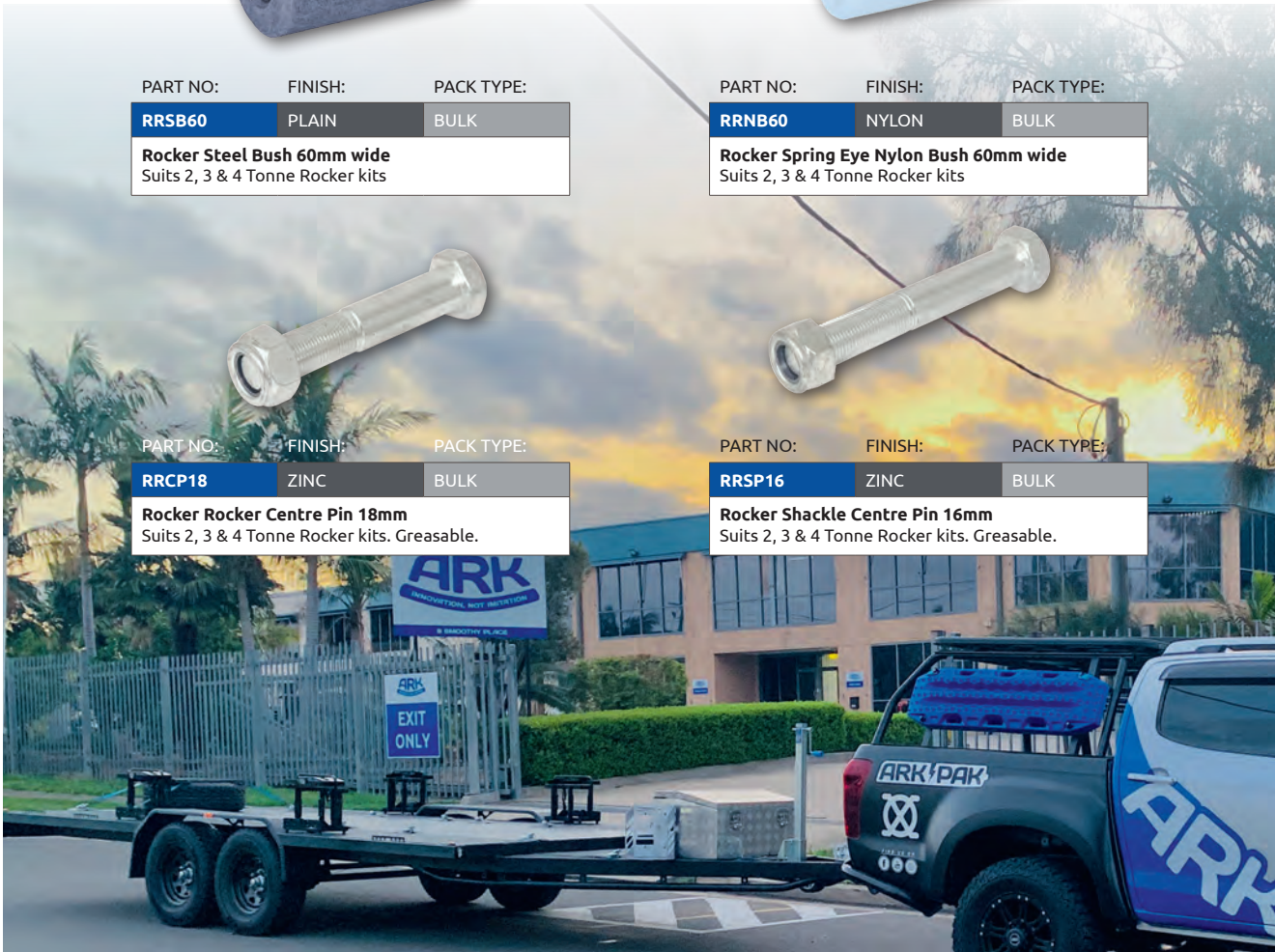
PART NO:	FINISH:	PACK TYPE:
RRCP18	ZINC	BULK

Rocker Rocker Centre Pin 18mm
Suits 2, 3 & 4 Tonne Rocker kits. Greasable.



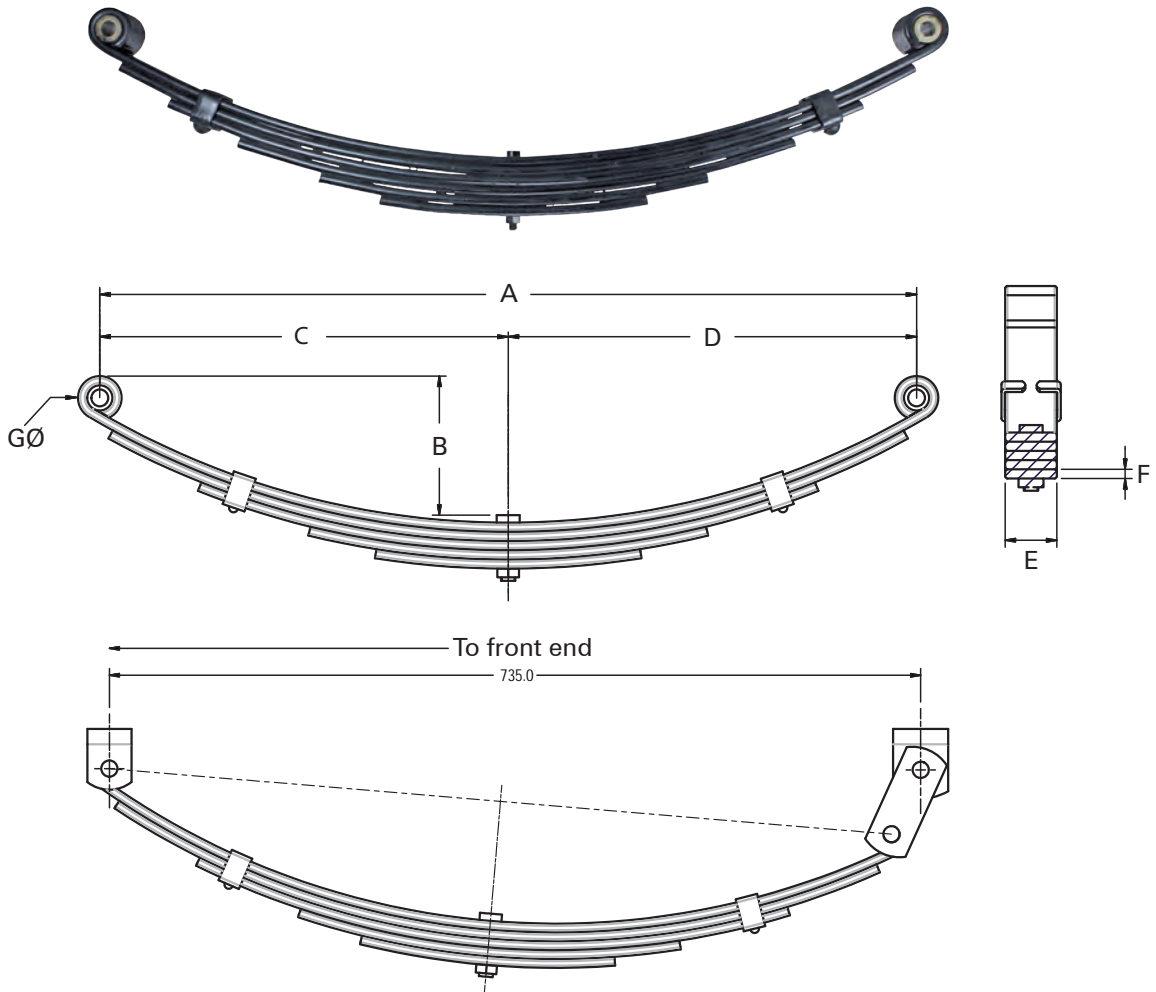
PART NO:	FINISH:	PACK TYPE:
RRSP16	ZINC	BULK

Rocker Shackle Centre Pin 16mm
Suits 2, 3 & 4 Tonne Rocker kits. Greasable.



SHACKLE LEAF SPRINGS

Black finish. 45mm x 8mm with 1/16" Nylon bush.



Shackle Spring Setup

PART NO:	"A" (mm)	"B" (mm)	"C" (mm)	"D" (mm)	"E" (mm)	"F" (mm)	"G" (mm)	FINISH:
SEES16	711	121	355	355	45	8	15	PAINTED
SEES16G	711	121	355	355	45	8	15	GALVANISED

5 Leaf Shackle Spring
Centre bolt. 1300kg - rated capacity per pair

PART NO:	"A" (mm)	"B" (mm)	"C" (mm)	"D" (mm)	"E" (mm)	"F" (mm)	"G" (mm)	FINISH:
SEE616	711	121	355	355	45	8	15	PAINTED
SEE616G	711	121	355	355	45	8	15	GALVANISED

6 Leaf Shackle Spring
Centre bolt. 1500kg - rated capacity per pair

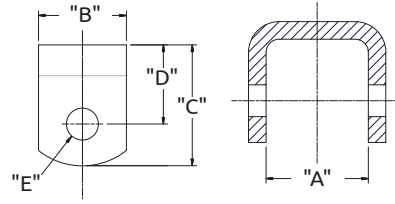
PART NO:	"A" (mm)	"B" (mm)	"C" (mm)	"D" (mm)	"E" (mm)	"F" (mm)	"G" (mm)	FINISH:
SEE0516	711	121	305	405	45	8	15	PAINTED

5 Leaf Shackle Spring
50mm offset bolt. 1300kg - rated capacity per pair

PART NO:	"A" (mm)	"B" (mm)	"C" (mm)	"D" (mm)	"E" (mm)	"F" (mm)	"G" (mm)	FINISH:
SEE0616	711	121	305	405	45	8	15	PAINTED

6 Leaf Shackle Spring
50mm offset bolt. 1500kg - rated capacity per pair

SHACKLE SPRING HANGERS

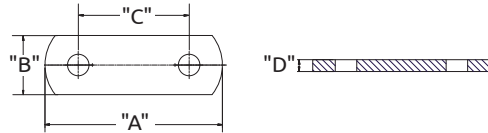


PART NO:	FINISH:	PACK TYPE:	"A" (mm)	"B" (mm)	"C" (mm)	"D" (mm)	"E" (mm)	SUITS SPRING WIDTH (mm)	SPRING HANGER TYPE	INNER CARTON QUANTITY:	OUTER CARTON QUANTITY:
SHF45	BLACK	BULK	47	40	55	36	15	45	FRONT	N/A	64
SHR45	BLACK	BULK	29	50	63	37	22	45	REAR	N/A	25
SHFD45	GALVANISED	BLISTER - SET OF 2	47	40	90	90	15	45	FRONT	N/A	40

Shackle Spring Hangers

Available in front and rear hangers, suitable for springs utilising 9/16" bushes & bolts.
Front shackle spring hanger available in standard and deep sizes

SHACKLE PLATES

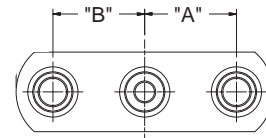


PART NO:	FINISH:	PACK TYPE:	"A" (mm)	"B" (mm)	"C" (mm)	"D" (mm)	INNER CARTON QUANTITY:	OUTER CARTON QUANTITY:
SP64	BLACK	BULK	103	40	64	8	N/A	90
SP64G	GALVANISED	BULK	103	40	64	8	N/A	90
SP75	BLACK	BULK	120	40	75	8	N/A	60
SP75G	GALVANISED	BULK	120	40	75	8	N/A	60

Shackle Plate

With 9/16" bolt holes, suitable for use on shackle springs with 9/16" bushes

TANDEM ROCKER ARMS

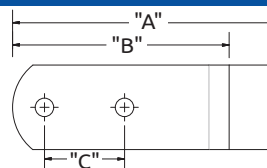
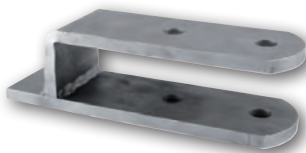


PART NO:	FINISH:	PACK TYPE:	"A" (mm)	"B" (mm)	SUITS SPRING WIDTH (mm)	ROCKER TYPE:	INNER CARTON QUANTITY:	OUTER CARTON QUANTITY:
RA45	BLACK	BULK	103	40	45	A	N/A	8
RA45G	GALVANISED	BULK	103	40	45	A	N/A	8
RA145	BLACK	BULK	120	40	45	B	N/A	8
RA145G	GALVANISED	BULK	120	40	45	B	N/A	8

Tandem Rocker Arms

With 9/16" bolt holes, suitable for use on shackle springs with 9/16" bushes

TANDEM ROCKER HANGER



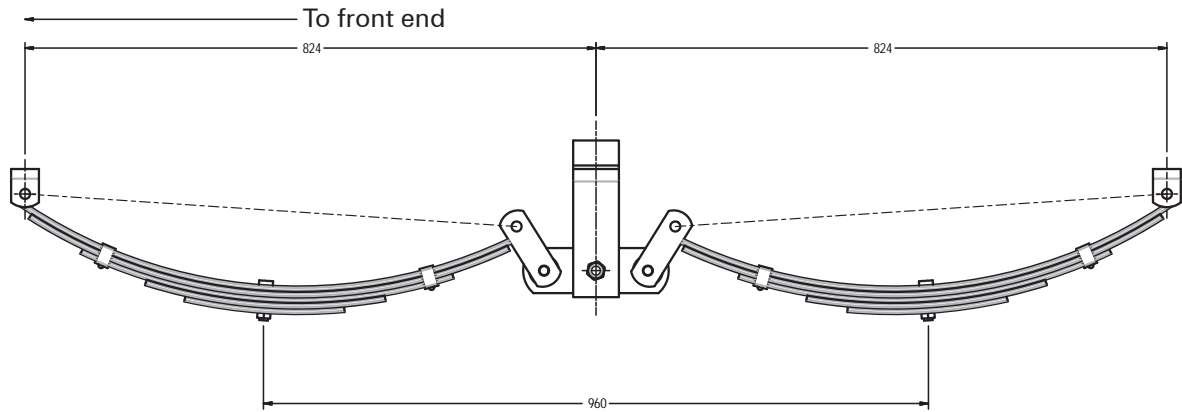
PART NO:	FINISH:	PACK TYPE:	"A" (mm)	"B" (mm)	"C" (mm)	SUITS SPRING WIDTH (mm)	SUITS ROCKER TYPE:	INNER CARTON QUANTITY:	OUTER CARTON QUANTITY:
TRH45	BLACK	BULK	232	192	71	45	A & B	N/A	8

Tandem Rocker Hanger

Suits tandem rocker A & B

TANDEM SPRING KITS

Ark's Tandem Rocker Kits are designed to transfer the load and evenly distribute the weight over the trailer's axle and suspension system. The Tandem Rocker Kits are modular, meaning you order the kit as per required rocker system then order the shackle springs in either centre bolt, offset bolt or a combination of the two based on axle spacing and wheel sizes.



Tandem Spring Setup A

PART NO:

PACK TYPE:

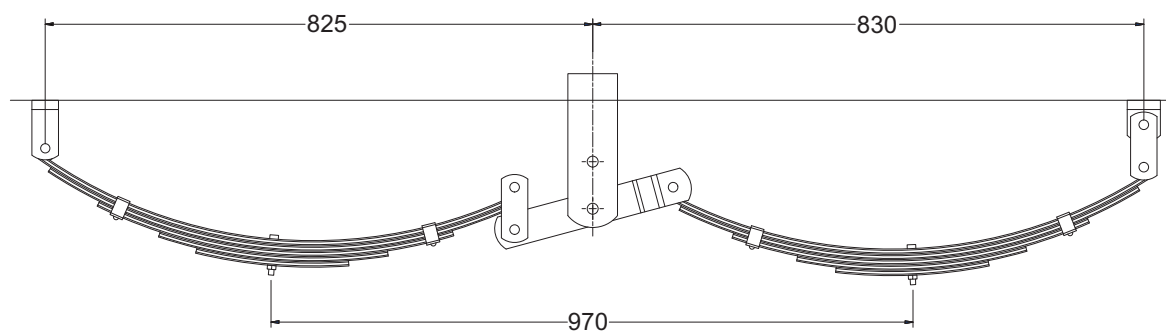
TRKA45

BULK

Tandem Setup with Rocker Arm 'Type A'

Kit consists of:

- 4 x Shackle hanger (Part No. SHF45)
- 8 x Shackle plate (Part No. SP64)
- 2 x Tandem rocker hanger (Part No. TRH45)
- 2 x Tandem rocker arm (Part No. RA45)
- 12 x Shackle pin $\frac{9}{16}$ " x $3\frac{1}{2}$ " (Part No. SP916)
- 2 x Shackle pin $\frac{5}{8}$ " x $3\frac{1}{2}$ " (Part No. SP58G)
- 4 x Spring rocker bush (Part No. SB916)



Tandem Spring Setup B

PART NO:

PACK TYPE:

TRKB45

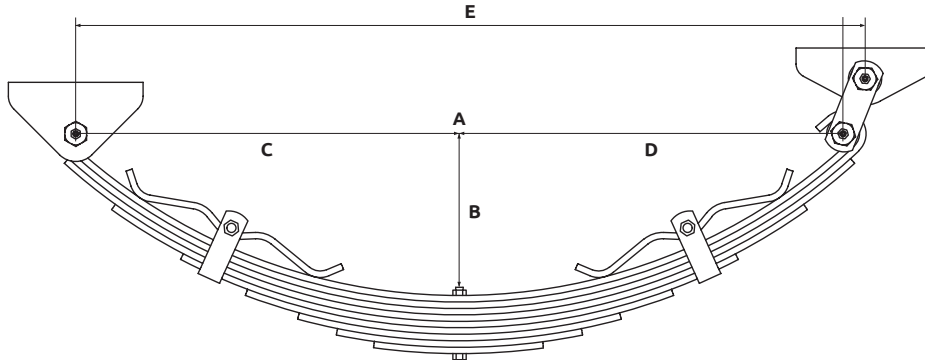
BULK

Tandem Setup with Rocker Arm 'Type B'

Kit consists of:

- 2 x Shackle hanger (Part No. SHFD45)
- 8 x Shackle plate (Part No. SP64)
- 2 x Tandem rocker hanger (Part No. TRH45)
- 2 x Tandem rocker arm (Part No. RAI45)
- 4 x Spring rocker bush (Part No. SB916)
- 2 x Rear rocker hanger (Part No. SHR45)
- 12 x Shackle pin $\frac{9}{16}$ " x $3\frac{1}{2}$ " (Part No. SP916)
- 2 x Shackle pin (Part No. SP58G)

REBOUND SPRING KITS



PART NO:	"A" (mm)	"B" (mm)	"C" (mm)	"D" (mm)	"E" (mm)	FINISH:
RSEE517	830	165	415	415	860	BLACK
RSEE517G	830	165	415	415	860	GALVANISED

60mm x 5 leaf Rebound Off-road Spring Kit - 1150kgs per pair. Complete kit with hangers.

PART NO:	"A" (mm)	"B" (mm)	"C" (mm)	"D" (mm)	"E" (mm)	FINISH:
RSEE617	830	165	415	415	860	BLACK
RSEE617G	830	165	415	415	860	GALVANISED

60mm x 6 leaf Rebound Off-road Spring Kit - 1350kgs per pair. Complete kit with hangers.

PART NO:	"A" (mm)	"B" (mm)	"C" (mm)	"D" (mm)	"E" (mm)	FINISH:
RSEE717	830	165	415	415	860	BLACK
RSEE717G	830	165	415	415	860	GALVANISED

60mm x 7 leaf Rebound Off-road Spring Kit - 1550kgs per pair. Complete kit with hangers.

PART NO:	"A" (mm)	"B" (mm)	"C" (mm)	"D" (mm)	"E" (mm)	FINISH:
RSEE817	830	165	415	415	860	BLACK
RSEE817G	830	165	415	415	860	GALVANISED

60mm x 8 leaf Rebound Off-road Spring Kit - 1750kgs per pair. Complete kit with hangers.

PART NO:	"A" (mm)	"B" (mm)	"C" (mm)	"D" (mm)	"E" (mm)	FINISH:
RSEE917	830	165	415	415	860	BLACK
RSEE917G	830	165	415	415	860	GALVANISED

60mm x 9 leaf Rebound Off-road Spring Kit - 2000kgs per pair. Complete kit with hangers.

REBOUND SPRING HANGERS & SHACKLE PLATES

PART NO:	FINISH:	PACK TYPE:
RSFH60	PLAIN STEEL	BULK
Rebound Off-road Spring Front Hanger		

PART NO:	FINISH:	PACK TYPE:
RSRH60	PLAIN STEEL	BULK
Rebound Off-road Spring Rear Hanger		

PART NO:	FINISH:	PACK TYPE:
RSSP64	PLAIN	BULK
RSSP64G	GALVANISED	BULK
Rebound Off-road Spring Shackle Plate		

SLIPPER LEAF SPRINGS



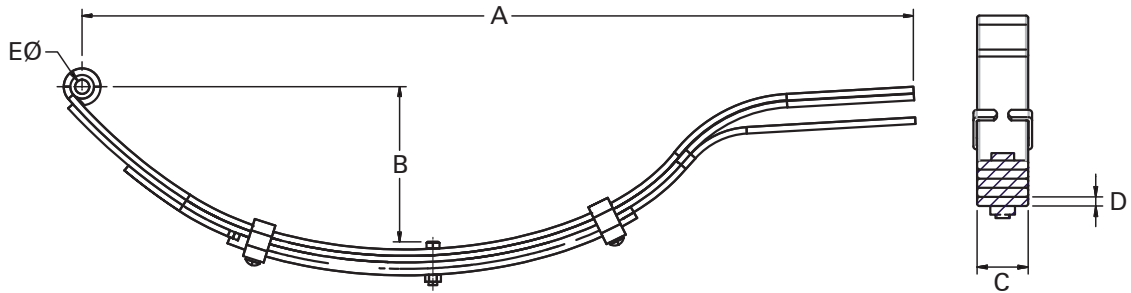
Black finish

45mm x 6mm with 1/2" Nylon bush.



Galvanised finish

45mm x 6mm with 1/2" Nylon bush.



PART NO:	"A" (mm)	"B" (mm)	"C" (mm)	"D" (mm)	"E" (mm)	FINISH:
SS313	770	150	45	6	13	PAINTED
SS313G	770	150	45	6	13	GALVANISED
3 Leaf - 600kg Rating Capacity per pair.						

PART NO:	"A" (mm)	"B" (mm)	"C" (mm)	"D" (mm)	"E" (mm)	FINISH:
SS413	770	150	45	6	13	PAINTED
SS413G	770	150	45	6	13	GALVANISED
4 Leaf - 900kg Rating Capacity per pair						

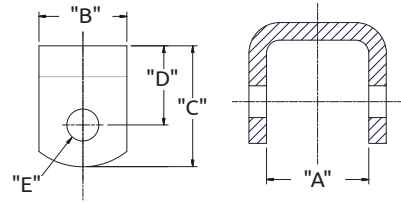
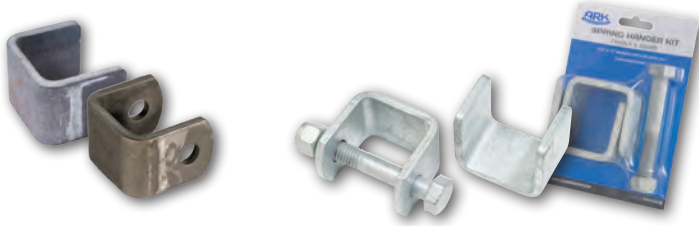
PART NO:	"A" (mm)	"B" (mm)	"C" (mm)	"D" (mm)	"E" (mm)	FINISH:
SS513	770	150	45	6	13	PAINTED
SS513G	770	150	45	6	13	GALVANISED
5 Leaf - 1000kg Rating Capacity per pair						

PART NO:	"A" (mm)	"B" (mm)	"C" (mm)	"D" (mm)	"E" (mm)	FINISH:
SS613	770	150	45	6	13	PAINTED
SS613G	770	150	45	6	13	GALVANISED
6 Leaf - 1200kg Rating Capacity per pair						

PART NO:	"A" (mm)	"B" (mm)	"C" (mm)	"D" (mm)	"E" (mm)	FINISH:
SS713	770	150	45	6	13	PAINTED
SS713G	770	150	45	6	13	GALVANISED
7 Leaf - 1350kg Rating Capacity per pair.						

PART NO:	"A" (mm)	"B" (mm)	"C" (mm)	"D" (mm)	"E" (mm)	FINISH:
SS913	770	150	45	6	13	PAINTED
SS913G	770	150	45	6	13	GALVANISED
9 Leaf - 1600kg Rating Capacity per pair.						

SLIPPER SPRING HANGERS



PART NO:	FINISH:	PACK TYPE:	"A" (mm)	"B" (mm)	"C" (mm)	"D" (mm)	"E" (mm)	SUITS SPRING WIDTH (mm)	SPRING HANGER TYPE	INNER CARTON QUANTITY:	OUTER CARTON QUANTITY:
FSH45	BLACK	BULK	47	40	55	36	13	45	FRONT	N/A	50
RSH45	BLACK	BULK	47	40	50			45	REAR	N/A	50
SHK45GB	GALVANISED	BLISTER - SET OF 2	47	40	55/50	36	13	45	COMBO	5	25

Slipper Spring Hangers

Available in front and rear hangers for springs.
Blister combo kit comes with 1/2" x 3 1/2" bolt and nyloc nut.

LEAF SPRING SHACKLE BOLTS



PART NO:	FINISH:	PACK TYPE:	LENGTH	OD	SUITS SPRING WIDTH (mm)	INNER CARTON QUANTITY:	OUTER CARTON QUANTITY:
BT1235	ZINC	BULK	3 1/2"	1/2"	45	25	100
BT1235ZB	ZINC	BLISTER - SET OF 4	3 1/2"	1/2"	45	5	20
SP916	BLACK	BULK	3 1/2"	9/16"	45	25	100
SP916B	BLACK	BLISTER - SET OF 2	3 1/2"	9/16"	45	5	20
SP916G	BLACK	BULK - GREASABLE	3 1/2"	9/16"	45	25	100
SP916GB	BLACK	BLISTER - SET OF 2 GREASEABLE	3 1/2"	9/16"	45	5	20
SP58	BLACK	BULK	3 1/2"	5/8"	45	25	100
SP58B	BLACK	BLISTER - SET OF 2	3 1/2"	5/8"	45	5	20
SP58G	BLACK	BULK - GREASABLE	3 1/2"	5/8"	45	25	100
SP58GB	BLACK	BLISTER - SET OF 2 GREASEABLE	3 1/2"	5/8"	45	5	20

Spring Shackle Bolts

Suitable for use on 45mm leaf springs

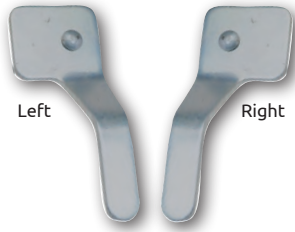
LEAF SPRING BUSHES



PART NO:	FINISH:	PACK TYPE:	LENGTH	OD	ID	SUITS SPRING WIDTH (mm)	INNER CARTON QUANTITY:	OUTER CARTON QUANTITY:
SB12	POLYURETHANE	BULK	45mm	7/8"	1/2"	45	25	200
SB12B	POLYURETHANE	BLISTER - SET OF 2	45mm	7/8"	1/2"	45	10	50
SB916	POLYURETHANE	BULK	45mm	7/8"	9/16"	45	25	200
SB916B	POLYURETHANE	BLISTER - SET OF 2	45mm	7/8"	9/16"	45	10	50
SB58	POLYURETHANE	BULK	45mm	7/8"	5/8"	45	25	200
SB58B	POLYURETHANE	BLISTER - SET OF 2	45mm	7/8"	5/8"	45	10	50

Spring Bushes

Suitable for use on 45mm leaf springs

TRAILER TAILGATE ACCESSORIES


Left

Right

PART NO:	FINISH:	PACK TYPE:	INNER CARTON QUANTITY:	OUTER CARTON QUANTITY:
TGC60L	PLAIN	BULK LEFT SIDE	N/A	25
TGC60R	PLAIN	BULK RIGHT SIDE	N/A	15
TGC60B	ZINC	BLISTER - SET OF 2	5	25

Trailer Tailgate Latches

Left and right sides, available in bulk and blister pack



TGAB19

TGAB70

PART NO:	FINISH:	PACK TYPE:	INNER CARTON QUANTITY:	OUTER CARTON QUANTITY:
TGAB19	PLAIN	BULK	50	100
TGAB19B	ZINC	BLISTER - SET OF 2	25	100
TGAB70	PLAIN	BULK	N/A	100

Tailgate Anti-rattle Latches

Bolt type, comes with nyloc nut



PART NO:	FINISH:	PACK TYPE:	INNER CARTON QUANTITY:	OUTER CARTON QUANTITY:
TGAW19	PLAIN	BULK	50	100
TGAW19B	ZINC	BLISTER - SET OF 2	25	100

Tailgate Anti-rattle Latches

Weld type.



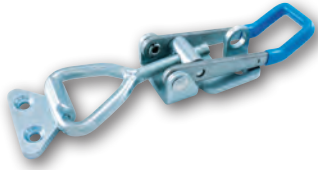
PART NO:	FINISH:	SIZE:	PACK TYPE:	INNER CARTON QUANTITY:	OUTER CARTON QUANTITY:
TGH50	PLAIN	13mm x 60mm L	BULK	50	100
TGH100	PLAIN	20mm x 100mm L	BULK	25	100
TGH100B	ZINC	20mm x 100mm L	BLISTER - SET OF 2	5	20

Trailer Tailgate Hinge


PART NO:	FINISH:	SIZE:	PACK TYPE:	INNER CARTON QUANTITY:	OUTER CARTON QUANTITY:
TGH100G	PLAIN	20mm x 100mm L	BULK	N/A	100

Trailer Tailgate Hinge Greasable


TRAILER TAILGATE ACCESSORIES



PART NO:	PACK TYPE:	INNER CARTON QUANTITY:	OUTER CARTON QUANTITY:
A86A	BULK	N/A	100
A86AB	BLISTER - SET OF 2	5	50

Trailer Tailgate Latch
 Over center adjustable latch with padlock facility. Coated handle for comfort grip

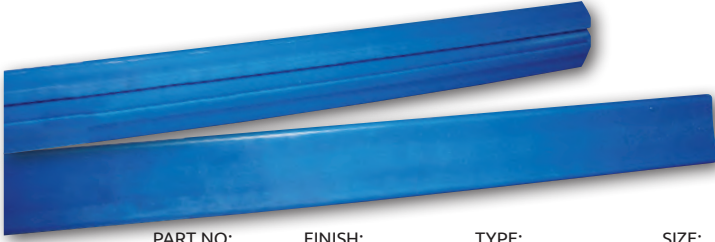


PART NO:	PACK TYPE:	INNER CARTON QUANTITY:	OUTER CARTON QUANTITY:
GC15Z	BULK	10	20

Gate Catcher
 Zinc plated



TRAILER GROOVED STRIP



PART NO:	FINISH:	TYPE:	SIZE:	PACK TYPE:	INNER CARTON QUANTITY:	OUTER CARTON QUANTITY:
5510	BLUE ULTRALENE	GROOVED STRIP	1500mm	BULK	N/A	10
91702	BLUE ULTRALENE	GROOVED STRIP	3000mm	BULK	N/A	1

Trailer Grooved Strip
Available in different sizes.

TRAILER BUNK BLOCKS



PART NO:	FINISH:	TYPE:	SIZE:	PACK TYPE:	INNER CARTON QUANTITY:	OUTER CARTON QUANTITY:
91711	BLUE ULTRALENE	BUNK BLOCK	300mm	BULK	N/A	10
91712	BLUE ULTRALENE	BUNK BLOCK	1500mm	BULK	N/A	1

Trailer Bunk Block
Available in different sizes.

SKID MOULDS



PART NO:	FINISH:	TYPE:	SIZE:	BORE SIZE:	PACK TYPE:	INNER CARTON QUANTITY:	OUTER CARTON QUANTITY:
91725	BLUE	SKID MOULDS	300mm	10mm	BULK	N/A	15

Blue Skid Moulds

V-BLOCKS



PART NO:	FINISH:	TYPE:	BASE SIZE:	BORE SIZE:	PACK TYPE:	INNER CARTON QUANTITY:	OUTER CARTON QUANTITY:
5540	BLACK RUBBER	V-BLOCK	100mm	15mm	BULK	N/A	8
91401	BLACK RUBBER	V-BLOCK	102mm	12mm	BULK	N/A	8
5548	RED POLY	V-BLOCK	102mm (4")	14mm	BULK	N/A	8

V-Blocks
Available in different type & sizes.

BOAT ROLLERS - POLYURETHANE WOBBLE (Suitable for all boat types)

Ideal for all boat types. UV stable polyurethane, non-marking.



PART NO:	FINISH:	TYPE:	SIZE:	BORE SIZE:	PACK TYPE:	INNER CARTON QUANTITY:	OUTER CARTON QUANTITY:
5411	BLUE POLY	SMOOTH WOBBLE	107mm X 87mm	20mm	BULK	N/A	12
5431	BLACK POLY	SMOOTH WOBBLE	107mm X 87mm	20mm	BULK	N/A	12
91102	BLUE POLY	RIBBED WOBBLE	110mm X 72mm	20mm	BULK	N/A	12
91103	BLUE POLY	RIBBED WOBBLE	110mm X 72mm	25mm	BULK	N/A	12

Wobble Rollers
Available in different styles, colours and bore sizes.

BOAT ROLLERS - NYLON HARD (Suitable for alloy boats)

For use with 16mm spindle. Suitable for alloy boats. UV stable polypropylene. Non-marking.

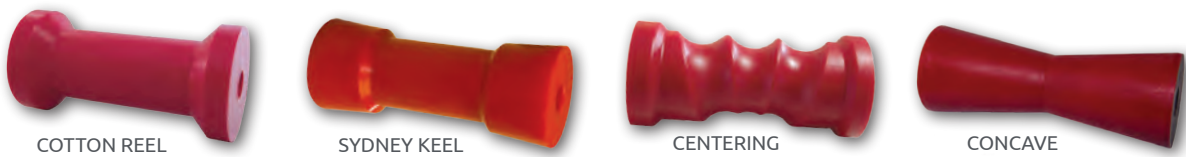


PART NO:	FINISH:	TYPE:	SIZE:	BORE SIZE:	PACK TYPE:	INNER CARTON QUANTITY:	OUTER CARTON QUANTITY:
2211	BLUE NYLON	SYDNEY KEEL	102mm (4")	17mm	BULK	N/A	12
2221	BLUE NYLON	COTTON REEL KEEL	114mm (4½")	17mm	BULK	N/A	8
2231	BLUE NYLON	COTTON REEL KEEL	152mm (6")	17mm	BULK	N/A	12
2241	BLUE NYLON	COTTON REEL KEEL	203mm (8")	17mm	BULK	N/A	10

Blue Nylon Rollers
Available in different type & sizes.

BOAT ROLLERS - POLYURETHANE SOFT (Suitable for fibreglass boats)

For use with 16mm spindle. Suitable for fibreglass boats. UV stable Polyurethane. Non-marking.

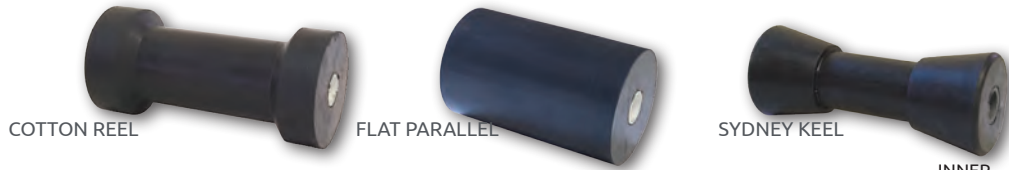


PART NO:	FINISH:	TYPE:	SIZE:	BORE SIZE:	PACK TYPE:	INNER CARTON QUANTITY:	OUTER CARTON QUANTITY:
3211	RED POLY	COTTON REEL KEEL	102mm (4")	17mm	BULK	N/A	16
3221	RED POLY	COTTON REEL KEEL	114mm (4½")	17mm	BULK	N/A	8
3231	RED POLY	COTTON REEL KEEL	152mm (6")	17mm	BULK	N/A	12
3233	RED POLY	SYDNEY KEEL	152mm (6")	17mm	BULK	N/A	10
3236	RED POLY	SELF CENTERING	152mm (6")	17mm	BULK	N/A	6
3241	RED POLY	COTTON REEL KEEL	203mm (8")	17mm	BULK	N/A	10
3246	RED POLY	SELF CENTERING	203mm (8")	17mm	BULK	N/A	4
91521	RED POLY	CONCAVE	203mm (8")	20mm	BULK	N/A	4

Red Polyurethane Rollers
Available in different type & sizes.

BOAT ROLLERS - RUBBER (Suitable for fibreglass boats)

For use with 16mm spindle. Suitable for fibreglass boats. UV stable.



PART NO:	FINISH:	TYPE:	SIZE:	BORE SIZE:	PACK TYPE:	INNER CARTON QUANTITY:	OUTER CARTON QUANTITY:
1221	BLACK RUBBER	COTTON REEL KEEL	114mm (4½")	17mm	BULK	N/A	8
1231	BLACK RUBBER	COTTON REEL KEEL	152mm (6")	17mm	BULK	N/A	12
1241	BLACK RUBBER	COTTON REEL KEEL	203mm (8")	17mm	BULK	N/A	10
1251	BLACK RUBBER	FLAT PARALLEL	114mm (4½")	17mm	BULK	N/A	8
1301	BLACK RUBBER	SYDNEY KEEL	152mm (6")	17mm	BULK	N/A	10

Black Rubber Rollers
Available in different type & sizes.

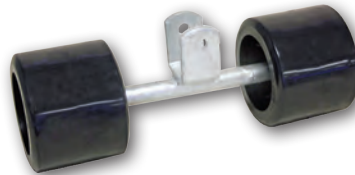
BOAT ROLLER ASSEMBLIES - RUBBER (Suitable for fibreglass boats)



PART NO:	FINISH:	BRACKET SIZE:	STEM SIZE:	BORE SIZE:	SPINDLE DIAMETER:	PACK TYPE:	INNER CARTON QUANTITY:	OUTER CARTON QUANTITY:
6222	GALVANISED	4.5"	N/A	17mm	16mm	BULK	N/A	10
6230	GALVANISED	4.5"	150mm x 20mm	17mm	16mm	BULK	N/A	8

Cotton Reel Keel Roller Assemblies
Available in flat bracket & flat bracket single stem configurations.

BOAT WOBBLE ROLLER ASSEMBLIES - BLACK POLY (Suitable for all boat types)



PART NO:	FINISH:	OVERALL SIZE:	MOUNTING HOLE SIZE:	BORE SIZE:	SPINDLE DIAMETER:	PACK TYPE:	INNER CARTON QUANTITY:	OUTER CARTON QUANTITY:
6212	GALVANISED	300mm	10mm	20mm	18mm	BULK	N/A	

Smooth Wobble Roller Assembly
Available in flat bracket & flat bracket single stem configurations.



BOAT ROLLER SPINDLES



PART NO:	FINISH:	SIZE:	SUITS BRACKET SIZE:	SUITS BORE SIZE:	PACK TYPE:	INNER CARTON QUANTITY:	OUTER CARTON QUANTITY:
6191	ZINC	145mm x 16mm	4.5"	17mm	BULK	N/A	50
6192	ZINC	203mm x 16mm	6"	17mm	BULK	N/A	50
6193	ZINC	235mm x 16mm	8"	17mm	BULK	N/A	40
6193-18	ZINC	240mm x 20mm	8"	21mm	BULK	N/A	20

Boat Roller Spindles
Available in different sizes.

BOAT ROLLER BRACKETS - FLAT



PART NO:	FINISH:	BRACKET SIZE:	BORE SIZE:	SUITS SPINDLE DIAMETER:	PACK TYPE:	INNER CARTON QUANTITY:	OUTER CARTON QUANTITY:
6120	GALVANISED	4"	17mm	16mm	BULK	N/A	25
6122	GALVANISED	4.5"	17mm	16mm	BULK	N/A	20
6123	GALVANISED	6"	17mm	16mm	BULK	N/A	17
6124	GALVANISED	8"	17mm	16mm	BULK	N/A	15

Boat Roller Brackets
Available in different sizes.

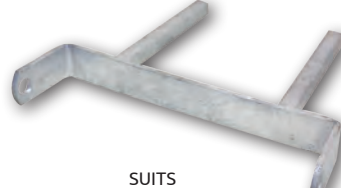
BOAT ROLLER BRACKETS - SINGLE STEM



PART NO:	FINISH:	BRACKET SIZE:	STEM SIZE:	BORE SIZE:	SUITS SPINDLE DIAMETER:	PACK TYPE:	INNER CARTON QUANTITY:	OUTER CARTON QUANTITY:
6128	GALVANISED	4"	150mm x 20mm	17mm	16mm	BULK	N/A	16
6130	GALVANISED	4.5"	150mm x 20mm	17mm	16mm	BULK	N/A	15
6132	GALVANISED	6"	150mm x 20mm	17mm	16mm	BULK	N/A	10
92052	GALVANISED	8"	150mm x 20mm	17mm	16mm	BULK	N/A	10

Boat Roller Brackets Single Stem
Available in different sizes.

BOAT ROLLER BRACKETS - TWIN STEM



PART NO:	FINISH:	BRACKET SIZE:	STEM SIZE:	BORE SIZE:	SUITS SPINDLE DIAMETER:	PACK TYPE:	INNER CARTON QUANTITY:	OUTER CARTON QUANTITY:
6138	GALVANISED	6"	160mm x 20mm	21mm	20mm	BULK	N/A	8
92054	GALVANISED	12"	160mm x 20mm	26mm	25mm	BULK	N/A	4
92056	GALVANISED	6"	160mm x 20mm	17mm	16mm	BULK	N/A	9

Boat Roller Brackets
Available in different sizes.

DOUBLE WOBBLE ROLLER BRACKETS

**NEW
PRODUCT**



DRB5025G



92080
6114

PART NO:	FINISH:	OVERALL SIZE:	MOUNTING HOLE SIZE:	SUITS BORE SIZE:	SPINDLE DIAMETER:	PACK TYPE:	INNER CARTON QUANTITY:	OUTER CARTON QUANTITY:
DRB5025G	GALVANISED	405mm	14mm	20-22mm	20mm	BULK	N/A	16
92080	GALVANISED	265mm	10mm	20mm	18mm	BULK	N/A	16
6114	GALVANISED	265mm	10mm	25mm	22mm	BULK	N/A	16

Double Wobble Roller Brackets
Available in different types and sizes.

SINGLE WOBBLE ROLLER BRACKET



PART NO:	FINISH:	STEM SIZE:	SUITS BORE SIZE:	SPINDLE DIAMETER:	PACK TYPE:	INNER CARTON QUANTITY:	OUTER CARTON QUANTITY:
6110	GALVANISED	200mm x 20mm	20mm	18mm	BULK	N/A	20

Single Wobble Roller Bracket.

EYE POST STEM



PART NO:	FINISH:	STEM SIZE:	BORE SIZE:	SUITS SPINDLE DIAMETER:	PACK TYPE:	INNER CARTON QUANTITY:	OUTER CARTON QUANTITY:
6196	GALVANISED	200mm x 20mm	17mm	16mm	BULK	N/A	20
92171	GALVANISED	150mm x 20mm	17mm	16mm	BULK	N/A	20

Eye Post Stems
Available in different sizes

WOOD YOKE STEM (Complete with bolt and nut)



ANGLED



STRAIGHT

PART NO:	FINISH:	TYPE:	STEM SIZE:	MOUNTING BOLT SIZE:	PACK TYPE:	INNER CARTON QUANTITY:	OUTER CARTON QUANTITY:
91801	GALVANISED	Straight	150mm x 20mm	M10 x 80mm	BULK	N/A	15
6150	GALVANISED	Straight	200mm x 20mm	M10 x 80mm	BULK	N/A	16
6151	GALVANISED	Angled	200mm x 20mm	M10 x 80mm	BULK	N/A	15

Wood Yoke Stems
Complete with bolt and nut, available in different types & sizes

BRACKET & YOKE STEM RECEIVERS



PART NO:	FINISH:	MOUNTING TYPE:	RECEIVER LENGTH:	SUITS STEM SIZE:	MOUNTING HOLE SIZE:	PACK TYPE:	INNER CARTON QUANTITY:	OUTER CARTON QUANTITY:
91801	GALVANISED	Weld	75mm	20mm	N/A	BULK	N/A	15
6150	GALVANISED	Bolt	75mm	20mm	10mm	BULK	N/A	16

Bracket & Yoke Stem Receivers
Complete with 1/2" stem bolt, available in different mounting configurations.

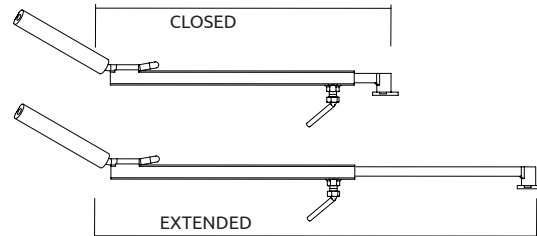
BRACKET & YOKE STEM RECEIVERS - TUBE SIDE ADJUSTERS



PART NO:	FINISH:	SUITS TUBE SIZE:	RECEIVER LENGTH:	SUITS STEM SIZE:	MOUNTING BOLT SIZE:	PACK TYPE:	INNER CARTON QUANTITY:	OUTER CARTON QUANTITY:
92150	GALVANISED	50mm x 25mm	50mm	20mm	M10 x 80mm	BULK	N/A	12
92151	GALVANISED	50mm x 50mm	50mm	20mm	M10 x 80mm	BULK	N/A	12

Bracket & Yoke Stem Receivers
Complete with 1/2" stem bolt, available in different sizes.

BOAT MOTOR SUPPORT



PART NO:	FINISH:	CLOSED LENGTH:	EXTENDED LENGTH:	SUITS BRACKETS:	PACK TYPE:	INNER CARTON QUANTITY:	OUTER CARTON QUANTITY:
6202	GALVANISED	500mm	820mm	92196 / 92197	BULK	N/A	4

Boat Motor Support System
Extendable system with rubber coated support, complete with 1/2" handled tightening bolt.

BOAT MOTOR SUPPORT BRACKETS



PART NO:	FINISH:	SUITS TUBE SIZE:	MOUNTING BOLT SIZE:	SUITS MOTOR SUPPORT:	PACK TYPE:	INNER CARTON QUANTITY:	OUTER CARTON QUANTITY:
92196	GALVANISED	50mm x 25mm	M10 x 80mm	6202	BULK	N/A	10
92197	GALVANISED	50mm x 50mm	M10 x 80mm	6202	BULK	N/A	10

Boat Motor Support Bracket
Tube side adjuster mounting with bolt and nut included, available in different sizes.



SECTION 3 / **PORTABLE POWER**

SECTION 3 /
POWER





XO-TECH POWER DISTRIBUTION HUB



YOU'RE IN CONTROL

with the award winning

POWER DISTRIBUTION HUB

XO TECH POWER MANAGEMENT SYSTEM WITH APP CONTROL



Take control of your 12V electrical system like never before with Ark's groundbreaking XO Tech Power Distribution Hub (PDH). It's more than just a control panel—it's a smart power management system that revolutionizes how you handle your 12V devices. Here's why it's the next evolution in power management:

Total Power Management: With the XO Tech PDH, you're the master of your 12V domain. Control your 12V lights, water pumps, fridges, and other devices effortlessly, whether it's from the PDH itself or via your smartphone. Convenience at your fingertips!

Battery Insight: Say goodbye to battery guesswork. The informative OLED display provides real-time data on your battery's condition, current consumption, total consumption, and even water tank levels. Stay informed and in control of your power usage.

Tailored for Adventure: Designed as part of Ark's next-generation XO Series range, the PDH is tailor-made for 12V electrical system fit-outs in campers, caravans, 4WDs, and canopies. It's the ideal replacement for standard control boxes, offering advanced features and unparalleled convenience.

Comprehensive Battery Protection: Your power system deserves the best protection. The PDH includes safeguards against reverse polarity, overcurrent, overvoltage, overtemperature, and an adjustable low battery protection mode. Your equipment and battery are in safe hands.

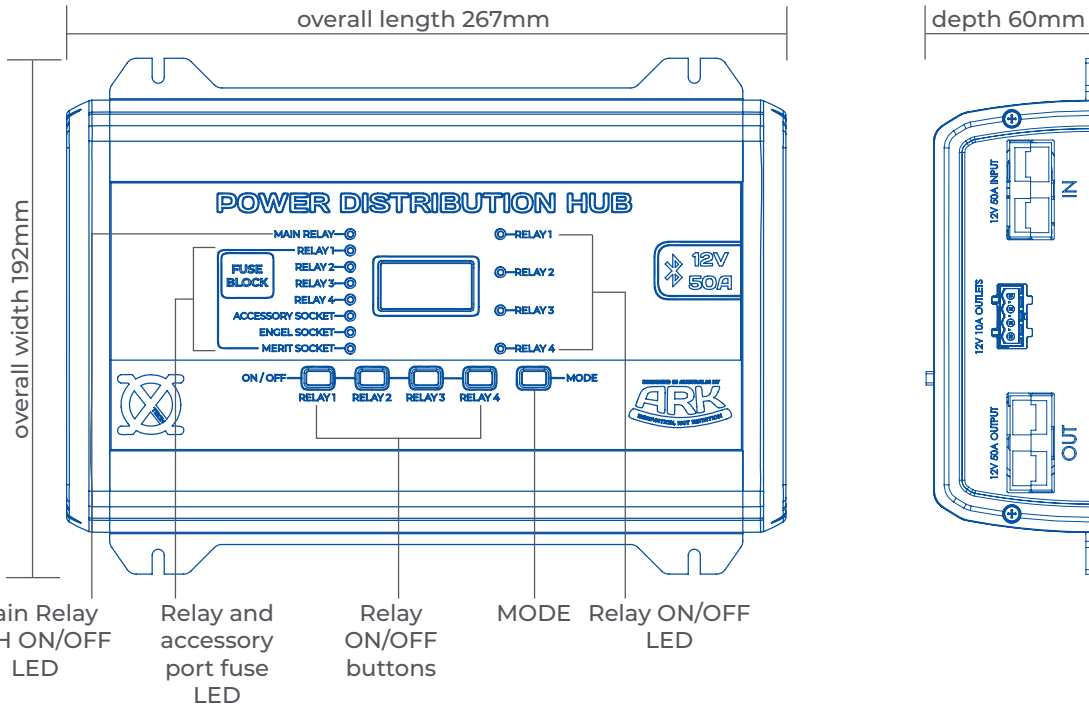
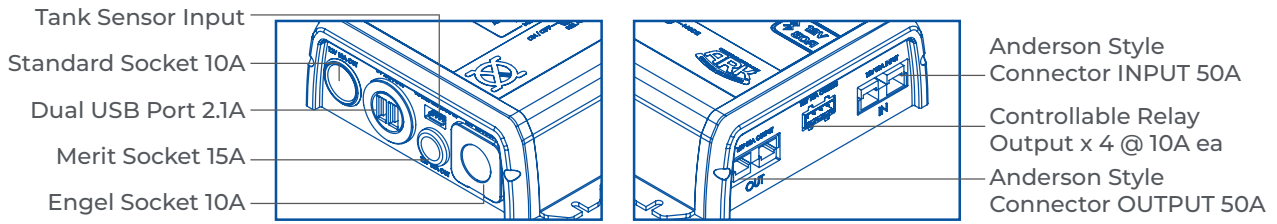
Smart Connectivity: The PDH offers four controllable relays, Bluetooth connectivity, tank sensor input, auto-reset fuses, and a full range of 12V outputs. It's a compact yet feature-packed control panel that sets a new standard in 12V power management.

The XO Tech Power Distribution Hub is not just a control panel; it's your key to efficient, intelligent, and reliable 12V power management. Designed in Australia by Ark, it's the perfect solution for your camper, caravan, 4WD, or canopy fit-out.



PART NO:	PACK TYPE:
XOTPDH504	DISPLAY CARTON
Power Distribution Hub	
XO Tech power management system with bluetooth app control - 4 Relay	

XO-TECH POWER DISTRIBUTION HUB



Unlock the full potential of your XO Tech Power Distribution Hub (PDH) by downloading the ARK app. With this app, you gain access to a world of convenience and control right from your smartphone. Here's what you can do:

Wireless Monitoring: Monitor and control your PDH wirelessly through the ARK app. It's your remote control for managing your 12V power system, giving you the freedom to adjust settings and access information.

Multiple Device Pairing: Have more than one PDH device? No problem! The ARK app allows you to pair and manage multiple PDH devices effortlessly. Name each device and relay to keep your power management organized and intuitive.

Elevate your power management experience to the next level with the ARK app. It's your gateway to seamless control, wireless monitoring, and effortless customisation. Take charge of your 12V system like never before.

Download the ARK app today and experience the future of power management in the palm of your hand.

APP DOWNLOAD





ARKPAK DC20

ARKPAK DC20

Discover a whole new level of power versatility with the ArkPak DC20. Whether it's powering your weekday grind or fueling your weekend adventures, the ArkPak is your trusted companion. Here's why it's the powerhouse you've been waiting for:

Recharge Faster: With its impressive 20-amp built-in charger, the ArkPak ensures rapid recharging, so you're always ready for action. Whether it's your workweek or a weekend getaway, the ArkPak has your back.

Recharge More Ways: The ArkPak DC20 stands out as the only power station that offers multiple recharge options. You can replenish its power from your vehicle's alternator, solar panels, or standard 240V AC power. The choice is yours, making it perfect for any setting.

Power More Devices: From essential appliances like fridges and coffee machines to mobile devices and power tools, the ArkPak's numerous outputs and robust 1000W pure sine wave inverter ensure you can power it all. Whether you're on the job site or at the campsite, the ArkPak has you covered.

Monitor Your Battery: Stay in the know with the built-in LCD and Time Tracker Technology. Get real-time insights into your battery's condition, state of charge (SOC), watts and voltage readings, hours remaining for charge, and charge cycle stage. The ArkPak empowers you with knowledge.

The ArkPak DC20 redefines portable power, providing you with unmatched versatility. It's the ultimate solution for those who demand reliable, high-performance power no matter where they are.

Experience the future of portable power with the ArkPak DC20—where efficiency meets convenience, and power knows no boundaries.

1000W Continuous
2000W Surge Pure Sine Wave Inverter

20A DC - DC CHARGER
Compatible with Lithium (LiFePO₄), AGM, GEL and Flooded 12V Lead Acid Batteries

12/32V DC INPUT
Recharge from Cars, Trucks, Solar and AC Power



Battery NOT included
AC adaptor SOLD separately

PART NO:	PACK TYPE:
APDC20	DISPLAY CARTON
ArkPak DC20	
Internal dimensions: 190mm(w) x 360mm(l) x 238mm(h)	

Designed for **WORK & PLAY**

ARKPAK DC20 ACCESSORIES



Remote mount kit
SOLD seperately

The ArkPak DC20 is in a league of its own. It's not just a power station; it's a revolutionary all-in-one solution that redefines convenience and efficiency. Here's why it stands out:

Remote Mount Option: Unlike any other power station, the ArkPak DC20 offers the unique ability to be hardwired and remotely mounted. This feature transforms it into the heart of a complete electrical system for your 4WD, canopy, or camper setup. Say goodbye to complex installations—the ArkPak simplifies everything.

Comprehensive Functionality: With a 20A DC-DC charger, AC-DC charger, MPPT solar charger, powerful 1000W pure sine wave inverter, a range of outputs, and advanced battery and output protection, the ArkPak consolidates all your power needs into one compact unit. It's the ultimate all-in-one power solution.

The ArkPak DC20 is a game-changer for those seeking simplicity and power in one package. It's the future of electrical systems for your 4WD, canopy, or camper setup.



PART NO: PACK TYPE:

APDC20RM DISPLAY

ArkPak DC20 Remote Mount Kit
Convert the ArkPak to a hardwired system, suitable for canopy and camper install.



PART NO: PACK TYPE:

APDC20MB DISPLAY

ArkPak DC20 Mounting Bracket Kit
Aluminium mounts and webbing to secure the ArkPak through the toughest terrain.



PART NO: PACK TYPE:

APDC20AC BLISTER

ArkPak DC20 AC Adaptor
Enables 20amp charging of the ArkPak from any AC 110-240V power outlet.



ARKPAK 730P

The Original and Still the Best

Turn your 12V Battery into a Portable Power Station

PART NO:	PACK TYPE:
AP730P	DISPLAY CARTON
ArkPak 730P	
Internal dimensions: 180mm(w) x 330mm(l) x 238mm(h)	



Battery NOT included

ARKPAK 730 Pure Sine

300W Pure Sine Inverter

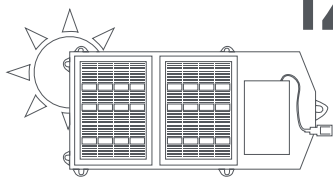
Charges LiFePO₄ Lithium, Calcium, Gel, AGM, Lead Acid 12V Batteries

THE ONLY UNIT WITH A BUILT-IN 7Ah AC-DC & DC-DC SMART CHARGER

NEXT GENERATION

1. RECHARGE

Recharge via;



Solar

Recharge from Cars, Trucks & Buses

12/24V DC INPUT



Vehicle



Mains

Portable. Power. **Anywhere.**

2. STORE

Once recharged, your ArkPak becomes a Portable Power Station, a Battery Management System and Dual Battery System all in.



3. POWER

Use the power now collected in the ArkPak to recharge or power your equipment and devices on the go.



40L Fridge/Freezer (12V)
168hrs



TV (240V)
72hrs



Tablet (USB)
65 Recharges



Laptop (240V)
20 Recharges



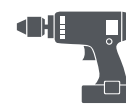
Mobile (USB)
130 Recharges



Digital Camera (240V)
110 Recharges



CPAP Machine
17+hrs



Cordless Drill (12V)
12 Recharges



12V LED Lamp
220hrs

Approx. usage times assuming a fully charged 130Ah deep cycle battery

ARKPAK 730

Battery NOT included

ARKPAK 730

Suits LiFePO₄, Gel, AGM, Calcium & Lead Acid Batteries



PART NO:	PACK TYPE:
AP730	DISPLAY CARTON
ArkPak 730 Internal dimensions: 180mm(w) x 330mm(l) x 238mm(h)	



DC-DC car charger included

DID YOU KNOW?
Ark Corporation first invented the ArkPak, filing the patent back in July of 2011.

AC 7A DC 7A

- 300W Modified Inverter
- Battery Management System
- 2 x 12V accessory sockets
- 7A AC & DC Charger
- Easy read LCD screen
- External Battery terminals
- 7 Stage Smart Charger
- 50A Anderson style plug
- Manual isolator switch
- Time tracker technology
- 5V USB 2.1 amp
- Low voltage cut-out

This product is protected by the following:

- Australian Innovation Patent No. 2003100766
- Australian Patent Application No. 2003258369
- Canadian Patent Application No. 2538378
- Canadian Registered Design No. 104258
- United States Patent Application no. 10/570,969
- United States Patent No. D495994
- European Registered Design No. 000076799-0001

ARKPAK 730P / 730- ACCESSORIES



PART NO:	PACK TYPE:
APDCL2	BULK
ArkPak DC Charger Lead Suits Part No.'s AP715, AP730 & ACDC7	



PART NO:	PACK TYPE:
APB20B	BLISTER - SET OF 2
ArkPak Mounting Bracket Mounts your ArkPak securely and protects it through the roughest terrain.	



PART NO:	PACK TYPE:
APA715	BULK
ArkPak 240V Charger Adaptor Suits Part No. AP715	

PART NO:	PACK TYPE:
APA730	BULK
ArkPak 240V Charger Adaptor Suits Part No. AP730	



PART NO:	PACK TYPE:
APLED	BLISTER
ArkPak One-touch USB LED Light Multi-positioning USB light with one-touch on and off, as well as variable dim settings.	



PART NO:	PACK TYPE:
APUSB	BLISTER
ArkPak Dual USB Adaptor Turns your 12V socket into a dual USB port rated at 2.1A.	

SECTION 3 / PORTABLE POWER



POWERPACK 3

NEW & IMPROVED
POWERPACK 3

CONVERT YOUR 12V BATTERY INTO A PORTABLE POWER SOURCE

Now includes
2.5A CHARGER

• **6 STAGE SMART CHARGER**

Built in AC-DC & DC-DC Smart Charger that conditions and prolongs battery life

• **4 PIN 'POSI-FIT' INPUT**

• INCLUDES ANDERSON STYLE PLUG



▶ **10 AMP 12V POWER SOCKET**

Power and Recharge most 12V devices

▶ **DUAL USB SOCKET**

Twin outlets providing a total of 3.1A to power and recharge most digital devices

▶ **SUITS MAIN BATTERY TYPES**

Accepts Lead Acid, GEL, AGM deep cycle batteries

▶ **PROTECTED EXTERNAL TERMINALS**

2 x high current 12V terminals

▶ **CHARGES FROM ANY 12V DC CAR SOCKET**

▶ **SUITS BATTERY SIZES UP TO 130AH**

DID YOU KNOW?

Ark Corporation first invented the Powerpack, filing the patent back in September of 2003.

PART NO:

DA25

PACK TYPE:

DISPLAY CARTON

PowerPack 3 - Next Generation Series

Internal dimensions:
 180mm(w) x 330mm(l) x 240mm(h)

Patent Protected

Portable. Power. Anywhere.

SECTION 3 / PORTABLE POWER

POWERPACK - ACCESSORIES



PART NO:	PACK TYPE:
PCC25	BULK
PowerPack 3 DC-DC car charge adaptor Suits Part No. DA25 only	



PART NO:	PACK TYPE:
PCC15	BULK
PCC15B	DISPLAY CARTON
Powerpack DC-DC Car Charger Adaptor Turns your Powerpack into a portable dual battery system for your vehicle. Suits Part No.'s DA10 & DA15 only.	

POWERPACK 3

POWER BANKS

Recharge most portable devices



DEVICE	RECHARGES*
Smartphone	6x
Tablet	Once
MP3 Player	12x
GPS Navigation System	7x
Handheld Game Console	4x
Camera	8x

PART NO:	PACK TYPE:
APPB112	DISPLAY CARTON
ArkPak Portable Power Bank 11200mAh Dual USB 1A / 2.1A. Emergency torch. Weather proof. Dust proof. Shock proof. Can be recharged from any USB port or ArkPak Freedom Solar 14	

Portable. Power. **Anywhere.**

SECTION 3 / PORTABLE POWER



BATTERY CHARGERS



ARK PAK

SMARTER BATTERY CHARGING

PLUG AND PLAY CHARGING SYSTEM.

Charge your auxillary battery direct from your vehicles 12V Socket.

PART NO:	PACK TYPE:	CHARGE FROM:
DCDC7	CARTON	CAR
7A DC to DC Battery Charger DC Battery Charger comes complete with DC charging lead, mounting bracket and hardwire install kit for permanent installation in your vehicle		



Charges LiFePO₄, Gel, AGM, Calcium & Lead Acid Batteries

- **7A 7 Stage Smart Charger**
- **Battery Monitor**
- **Time Tracker LCD Screen**

SECTION 3 / PORTABLE POWER

SOLAR PANELS

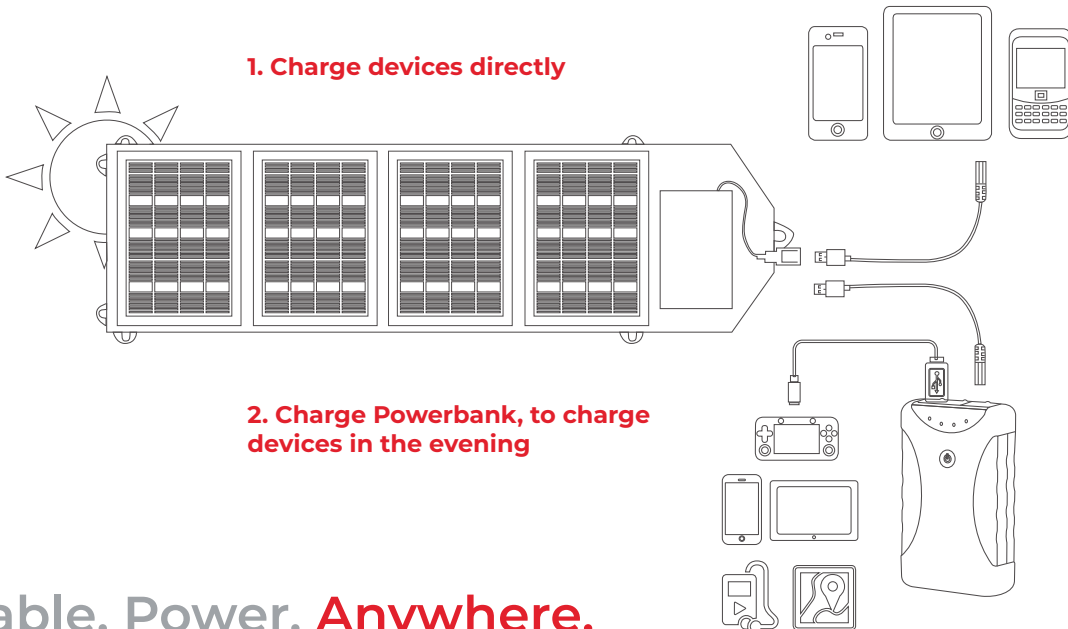
- Lightweight & Compact
- Charge electronics on the go
- Automatic start function



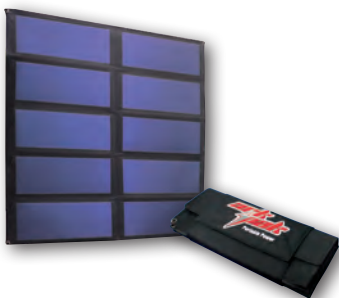
PART NO:	PACK TYPE:
APSP14D	DISPLAY CARTON
Freedom 14 Watt Solar Panel	
Solar panel: 6.5V/14W. USB Output: 2A.	
Unfolded size: 810mm x 230mm. Folded size: 160mm x 230mm. Compatible to charge Powerbank Part No. APPB112	



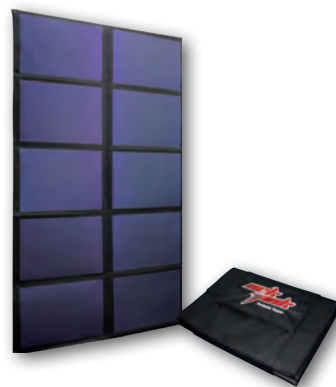
PART NO:	PACK TYPE:
APSP7D	DISPLAY CARTON
Freedom 7 Watt Solar Panel	
Solar panel: 6.5V/7W. USB Output: 1A.	
Unfolded size: 480mm x 230mm. Folded size: 160mm x 230mm. Compatible to charge Powerbank Part No. APPB	



Portable. Power. **Anywhere.**



PART NO:	PACK TYPE:
APSPF30D	DISPLAY CARTON
30 Watt Amorphous Foldable Solar Panel	
Generates up to 2A per hour. Works in low light or partial shade. Comes complete with 4.5A charge controller and leads.	
Folded size: 40cm x 15cm x 3cm. Unfolded size: 80cm x 90cm.	



PART NO:	PACK TYPE:
APSPF60D	DISPLAY CARTON
60 Watt Amorphous Foldable Solar Panel	
Generates up to 4.2A per hour. Works in low light or partial shade. Comes complete with 4.5A charge controller and leads.	
Folded size: 40cm x 28cm x 3cm. Unfolded size: 80cm x 150cm.	



BATTERY BOXES

Comes with webbing tie down strap, screws and securing brackets



PART NO:	PACK TYPE:
PBB32	DISPLAY CARTON
Power Battery Box	
Internal size: 185mm(w) x 325mm(l) x 185mm(h)	
Battery Condition Indicator	
Avoid being stranded with a flat battery, at the touch of a button the meter will indicate the battery condition.	
Accessory Socket	
Convenient for all accessories such as coolers, vacuum cleaners portable lights etc. Plugs directly into battery box.	
Circuit Breaker	
No more replacing fuses or danger of overheating wires, the accessory socket is connected to 10amp - circuit breaker that cuts out when overloaded and reset by pressing a button.	
External Terminals	
No tools required for connecting or disconnecting terminals for safety and to prevent power leak when not in use. Useful for easily charging the battery. Solid brass terminal posts.	
Battery Box	
Made from impact resistant Polypropylene, ideal for keeping the areas clean from messy battery residue.	
Carrying Handle	
Designed for easy carrying with one hand and prevents contact with battery acid residue.	
Adjustable Strap	
For use when carrying or securing battery box in a fixed position with mounting brackets and stainless steel screws provided.	



PART NO:	PACK TYPE:
BB27	BULK
Standard Battery Box	
Internal size: 180mm(w) x 275mm(l) x 200mm(h)	

PART NO:	PACK TYPE:
BB32	BULK
Large Battery Box	
Internal size: 185mm(w) x 375mm(l) x 200mm(h)	



PART NO:	PACK TYPE:
BATSTRAP	BULK
Battery Box Strap	

MERCHANDISING & POS MATERIAL



PART NO:	PACK TYPE:	SIZE:
MS189	DISPLAY	1800 x 900mm
Merchandise Stand		
Ark can tailor a package to suit your needs		

PART NO:	PACK TYPE:	SIZE:
APPA1	DISPLAY	297 x 841mm
1/2 A1 Ark Parts Poster		
Portrait orientation		

PART NO:	PACK TYPE:	SIZE:
CS123	DISPLAY	1200 x 300mm
Double-sided Corflute (header) Sign		
Landscape orientation		

PART NO:	PACK TYPE:	SIZE:
CATALOGUE	DISPLAY	297 x 210mm
A4 Product Catalogue		
Latest Issue		

PART NO:	PACK TYPE:	SIZE:
APPA3	DISPLAY	297 x 420mm
A3 Ark Parts Poster		
Portrait orientation		

	PART No.	Page								
1	1221	131	6130	132	AP730	142	AXS4068	115		
	1231	131	6132	132	AP730P	141	AXS4068G	114		
	1241	131	6138	132	APA715	142	AXS4070	115		
	1251	131	6150	133	APA730	142	AXS4071	115		
	1301	131	6150	134	APB20B	142	AXS4071G	114		
	2	21603F	45	6151	133	APDC20	139	AXS4073	115	
		21603F/30	45	6191	132	APDC20AC	140	AXS4073G	114	
21603S		45	6192	132	APDC20MB	140	AXS4075	115		
21603S/30		45	6193	132	APDC20RM	140	AXS4075G	114		
2211		130	6193-18	132	APDCL2	142	AXS4076	115		
2221		130	6196	133	APLED	142	AXS4077	115		
2231		130	6202	134	APPA1	147	AXS4077G	114		
2241		130	6212	131	APPA3	147	AXS4078	115		
22603F		45	6222	131	APPB112	144	AXS4079	115		
22603F/30		45	6230	131	APSP14D	146	AXS4079G	114		
22603S/100		45	7	710B	45	APSP7D	146	AXS4080	115	
22603S/30		45		710TB	45	APSPF30D	146	AXS4080G	114	
24103S		45		77032/100	45	APSPF60D	146	AXS4081	115	
24103S/50		45		77032/30	45	APUSB	142	AXS4083	115	
27032		45		77032/500	45	AR2285	44	AXS4085G	114	
3		3211		130	7LS27P	25	AR2285B	44	AXS4089	115
	3221	130		7LS2FP	25	AR4373	44	AXS4089G	114	
	3231	130		7S27LP	25	AR4373B	44	AXS4091	115	
	3233	130		7S2FP	25	ASP1	118	AXS4095	115	
	3236	130		9	91102	130	ASP34	118	AXS4095G	114
	3241	130	91103		130	ATL15	76	AXS4096	115	
	3246	130	91401		129	ATL155	76	AXS4097	115	
	4	47254	47		91521	130	AW1	118	AXS4561	115
		47263	47		91702	129	AW13FB	105	AXS4564	115
		47380	47		91711	129	AW14FB	105	AXS4565	115
47380B		47	91712		129	AW34	118	AXS4566	115	
47382		47	91725		129	AXS3959	114	AXS4567	115	
47382B		47	91801		133	AXS3960	114	AXS4571	115	
5	510TB	46	91801		134	AXS3960G	114	AXS4572	115	
	51603/100	46	92052	132	AXS3963	114	AXS4575	115		
	51603/30	46	92054	132	AXS3963G	114	AXS4576	115		
	52603/100	46	92056	132	AXS3964	114	AXS4577	115		
	52603/30	46	92080	133	AXS3964G	114	AXS4578	115		
	5411	130	92150	134	AXS3965	114	AXS4579	115		
	5431	130	92151	134	AXS3966	114	AXS4580G	115		
	5510	129	92171	133	AXS3966G	114	AXS4581G	115		
	5540	129	92196	134	AXS3967	114	AXS4585	115		
	5548	129	92197	134	AXS3968	114	AXS4585G	115		
	55B	46	A	A200G	89	AXS3968G	114	AXS4589	115	
	55TB	46		A86A	128	AXS3971	114	AXS4589G	115	
	57032/100	46		A86AB	128	AXS3971G	114	AXS4590	115	
	57032/30	46		ACDC7	145	AXS3972	114	AXS4591	115	
	57032/500	46		ADS50	81	AXS3972G	114	AXS4591G	115	
	5903/100	46		ADS50S	81	AXS3973	114	AXS4593	115	
	5903/30	46		AHI7	26	AXS3973G	114	AXS4595	115	
6	6110	133		AHI7E	26	AXS3974	114	AXS4597	115	
	6114	133		AHI7F	26	AXS3976G	114	AXS5071D	116	
	6120	132		AHI7FT	26	AXS3977	114	AXS5071GD	116	
	6122	132	AHI7RT	26	AXS3978	114	AXS5072D	116		
	6123	132	AHP12	25	AXS3979	114	AXS5072GD	116		
	6124	132	AN1	118	AXS4065	115	AXS5076D	116		
	6128	132	AN34	118	AXS4066	115	AXS5076GD	116		
			ANPW34B	118	AXS4067	115	AXS5079D	116		

AXS5079GD	116
AXS5089D	116
AXS5089GD	116
AXS5090D	116
AXS5090GD	116
AXS5095D	116
AXS5095GD	116

B B250 47

B360	25
B90	25
BATSTRAP	147
BB27	147
BB32	147
BCA100G	89
BCB1150	89
BCC04B	87
BCC04G	87
BCC4	87
BCC4B	87
BCCB4	87
BCCO5G	87
BCCO5G	87
BCH100G	89
BCS16	89
BCS50	5
BK32	101
BK35	101
BMB78	14
BR100G	85
BR50G	85
BR75G	85
BS32	101
BS35	101
BSF7	18
BSF7B	18
BSG20D	13
BSL7	22
BSL7B	22
BSS06B	13
BSS08B	13
BSS10B	13
BSS7	24
BSS7B	24
BT1235	126
BT1235ZB	126
BTH16	32
BTH16B	32

C C250 47

C360	25
C4570	80
C90	25
CA10	87
CA10B	87
CAB22Z	80
CAS22	80
CAS22Z	80
CAS32	80
CAS32Z	80

CATALOGUE	147
CBP2	83
CBP4	83
CBPV23	83
CBPV4	83
CCB50	5
CD150	98
CD15012	98
CD150G	98
CD150L	98
CD150LG	98
CD150SN	97
CDF150	98
CDF150G	98
CDF150L	98
CDF150LG	98
CH100G	89
CH123BN	95
CH123D	95
CH123DP	94
CH123DP	95
CH123HA	95
CH123RK	95
CH200M-OR	89
CH50	89
CHR03Z	82
CHR06	82
CHR06Z	82
CHR08	82
CHR08Z	82
CHR10	82
CHR10Z	82
CHR13	82
CHR13Z	82
CM100G	89
CM100GD	89
CM100GP	90
CM123D	94
CMB141	81
CMB151	81
CMB152B	81
CMB153B	81
CMB201	81
CMB44B	81
CMJS350	52
CMJW350	52
CPL10	76
CR2285	44
CR2285B	44
CR4373	44
CR4373B	44
CS123	147
CS500	68
CS700	68
CS900	68
CSC50	81
CSCO50	81
CSH55	68

D DA25 143

DBK40CD	103
DBK40FH	103
DBK40FHG	103
DBK40HQ	103
DBK40HQG	103
DBK40HT	103
DBK40HTG	103
DBK40VHTG	103
DBK455LF	103
DBK45CDF	103
DBK45CDFG	103
DBK45FD	103
DBK45FDG	103
DBK45HQF	103
DBK45HQFG	103
DBK45HTF	103
DBK45HTFG	103
DBK45LF	103
DBK45LFG	103
DC45	101
DC45B	101
DC50US	96
DC63VD	96
DC65	101
DCDC7	145
DDS550	68
DDS600	68
DDS600B	68
DDS750	68
DDS750B	68
DH12CD	99
DH12CDF	99
DH12CDFG	99
DH12CDG	99
DH12FD	99
DH12FDG	99
DH12FDL	99
DH12FDLHG	99
DH12FH	99
DH12FHG	99
DH12FHL	99
DH12FHLG	99
DH12HQ	99
DH12HQF	99
DH12HQFG	99
DH12HQFL	99
DH12HQFLG	99
DH12HQQ	99
DH12HQL	99
DH12HQLG	99
DH12HT	99

DH12HTF	99
DH12HTFG	99
DH12HTFGD	99
DH12HTFL	99
DH12HTFLG	99
DH12HTG	99
DH12HTLG	99
DH585LF	99
DH58LF	99
DH58LFG	99
DH58LFL	99
DP1028	89
DP1028B	89
DP403	117
DP404	117
DP453	117
DP454	117
DP503	117
DP504	117
DPB575	90
DRB5025G	133
DRF56B	71
DRF675B	71
DRS46B	71
DSG06B	13
DSG08	13
DSG08B	13
DSG10	13
DSG10B	13
DSG12	13
DSG12B	13
DSG16B	13
DSGR08	13
DSGR08B	13
DSGR10	13
DSGR10B	13
DSGR11	13
DSGR11B	13
DSGR13	13
DSGR13B	13
DSS06B	13
DSS08B	13
DSS10B	13
DSS12B	13

E EBCX4 11

EBCX8	11
EBK24	11
EBK40FH	104
EBK40HQ	104
EBK40HT	104
EBK40LH	104
EBK45FD	104
EBK45LF	104
EBP10L	92
EBP10R	92
EBP12L	92
EBP12R	92
EBPMAG	92

EBPMAGB	92	FS27LP	25	HD10X25LFPL	100	HLS13	82
EBS24	11	FS27P	25	HD10X2FD	100	HLS13B	82
EC35RZ	79	FSB12	20	HD10X2FDL	100	HMB50	14
EC35Z	79	FSB7	18	HD10X2FDP	100	HP80	8
EFH100ZD	75	FSBL7	19	HD10X2FDPL	100	HP80B	8
EFH105ZD	75	FSH45	126	HD10X2FDSN	97	HP80Z	8
EFH75ZD	75	FSP12	20	HD10X2FH	100	HQ150	98
EG10	73	FSP12A	20	HD10X2HQ	100	HQ150D	98
EG10-SPR	73	FSP12AB	20	HD10X2HT	100	HQ150G	98
EG11	73	FSP12SC	27	HD10X2LF	100	HQ150GD	98
EG11-SPR	73	FSP7	18	HD10X2LFL	100	HQ150L	98
EG13	73	FSP7A	19	HD10X2LFP	100	HQ150LG	98
EG13-SPR	73	FSP7AB	19	HD10X2LFPL	100	HQF150	98
EG8-SPR	73	FSPL7	19	HD10X2LFSN	97	HQF150L	98
EG-LR45	73	FSPR7	18	HD10X2LH	100	HRS4D	14
EG-TR45	73	FSPR7C	18	HD12X25LD	100	HT140	98
EXBM73	32	FSPS7	18	HD12X25LDL	100	HT140G	98
EXBM73B	32	G GBH4G	110	HD12X2LD	100	HT140GD	98
EXBT21	32	GBH9G	110	HD12X2LDL	100	HT140L	98
EXBT21B	32	GC15Z	128	HD12X2LF	100	HT140LG	98
EXT100	30	GH150	98	HD9X1345LF	100	HT140SN	97
F FBS35	101	GH150G	98	HD9X134FD	100	HT150	98
FBSJ35	101	GH150L	98	HD9X134FH	100	HT150D	98
FC125	45	GH150LG	98	HD9X134HQ	100	HT150G	98
FC7B	45	GLD15	35	HD9X134HT	100	HT150GD	98
FCL2HD	65	GLD15B	35	HD9X134LF	100	HT150L	98
FCL50	65	H HBA1600	12	HD9X134LFL	100	HT150LG	98
FCL8	65	HBC90	92	HD9X134LH	100	HTF150	98
FD150	98	HBFK34	88	HDBS10	92	HTF150G	98
FD150G	98	HBK40FH	104	HDBS12	92	HTF150L	98
FD150L	98	HBK40HQ	104	HDBS9	92	HTF150LG	98
FD150LG	98	HBK40HT	104	HDBS9H	92	I IN10B	63
FD150SN	97	HBK40LH	104	HDL50B	64	J JCH1020D	110
FH150	98	HBK45FD	104	HDL57	64	JCH300Z	110
FH150D	98	HBK45LF	104	HLK2	111	JCHF20D	110
FH150G	98	HBK552S	88	HLK25	111	JS227	61
FH150GD	98	HBK554S	88	HLK3	111	JS336	61
FH150L	98	HBK654S	88	HLK35	111	JS35SU	61
FH150LG	98	HBL32	101	HLK65	111	JSB227	61
FIP7	33	HBLJ32	101	HLK95	111	JSN35	61
FKB7	18	HBP90L	92	HLK95BXXL	111	JSN35C	61
FKBL7	19	HBP90R	92	HLK-BTI	112	JSN35S	61
FKP7	18	HBR50	85	HLKDP	111	JSN35SU	61
FKPL7	19	HBR50G	85	HLKE	111	JST336	61
FP3950	117	HBR50Z	85	HLKN	112	JW10CHD	60
FP3950G	117	HBRM1	86	HLK-OIL	112	JW10SHD	60
FP3950GB	117	HBRM34	86	HLKP/PACK	112	JW10SUHD	60
FP4550	117	HBRM34Z	86	HLKR35	112	JW8CHD	60
FP4550G	117	HBRM78	86	HLKR65	112	JW8SHD	60
FPB12	20	HBS32	101	HLKR95	112	JW8SUHD	60
FPB7	17	HBSJ32	101	HLKRCP	112	JWBN6	57
FPP12	20	HC50B	7	HLKTH	111	JWE6C	57
FPP7	17	HC80	7	HLKTM	112	JWE6S	57
FPPS7	17	HCC125D	10	HLS06	82	JWE6SU	57
FPPT7	17	HCC50B	7	HLS06B	82	JWN10	59
FPPT7B	17	HCC80	7	HLS08	82	JWN10C	59
FS212P	25	HCC80B	7	HLS08B	82	JWN10CP	60
FS25LP	25	HD10X25LF	100	HLS10	82	JWN10P	60

JWN10SP	60	LDU10M	36	MGS4F10LC	107	MSK34B	86
JWN10SU	59	LDU10MB	36	MGS4F10LCCP	107	MSK78	86
JWN10SUP	60	LDU15	36	MGS4F12LC	107	N NPL75	42
JWN6	59	LDU15M	36	MGS4F12LCCP	107	NPL75B	42
JWN6C	59	LDU15MB	36	MGS4F9B	107	NW6	63
JWN6S	59	LDW70	43	MGS4F9CP	107	NW6B	63
JWN6SU	59	LDW70B	43	MGS4F9G	107	O OMF110B	75
JWN6SUS	61	LDW725	43	MGT4F1084B	107	OMF125B	75
JWN8	59	LF190	98	MGT4F1084CP	107	OMF95B	75
JWN8C	59	LF1905	98	MGT4F1091B	107	OML170B	75
JWN8S	59	LF1905L	98	MGT4F1091CP	107	OML225B	75
JWN8SU	59	LF190D	98	MGT4F1096CP	107	ORC25Z	79
JWP10	58	LF190G	98	MGT4F984B	107	ORC50	79
JWP10C	58	LF190L	98	MGT4F984CP	107	ORC50G	79
JWP10S	58	LF190LG	98	MGT4F991B	107	ORC50Z	79
JWP10SU	58	LF190PLM	97	MGT4F991CP	107	ORJW1SU	55
JWP6	58	LF190PM	97	MGT4F996CP	107	ORJW2SU	55
JWP62C	57	LF190SN	97	MH140	98	ORJW2T	55
JWP6C	58	LH190	98	MH140G	98	ORJW350	50
JWP6S	58	LH190D	98	MH140L	98	ORJW350D	50
JWP6SU	58	LH190L	98	MH140LG	98	ORJW500	50
JWP8	58	LIP7	33	MLK984L	36	ORJW500BC	54
JWP82C	57	LMP7	21	MP1050	94	ORJW500D	50
JWP8C	58	LMP7B	21	MP1250	94	ORJW750	49
JWP8S	58	LMS7	22	MP39	90	ORJW750B	49
JWP8SU	58	LMS7B	22	MP39G	90	ORJW750BC	54
JWPH	64	LPP7	21	MP39GB	90	ORJW750BD	49
JWPWH	64	LPP7B	21	MP40	90	ORJW750BKC	54
JWSC48	65	LPS7	21	MP40G	90	ORJW750D	49
JWSC57	66	LPS7B	21	MP40GB	90	ORJW750SH	53
JWSHFT10	62	LSRK7	22	MP45	90	ORJW750T	51
L LB90	25	LSKL7	22	MP45G	90	ORJW750TB	51
LB90B	25	LSKL7B	22	MP45GB	90	ORJW750XL	49
LC360	25	M MBC34	102	MP70	23	ORJW750XLD	49
LC360B	25	MBC34B	102	MP70B	23	ORJWEH	54
LD10L	38	MBCB34	102	MPL45	90	ORJWFS80	50
LD10MSB	38	MBK32	101	MPO39	90	ORJWFS80B	50
LD10R	38	MBK35	101	MPO40	90	ORJWPSW8	53
LD10SB	38	MBK40FH	104	MPO45	90	ORJWPSW8B	53
LD10SSB	38	MBK40HQ	104	MPR40R	94	ORJWWH	53
LD158	37	MBK40HT	104	MPR40S	94	ORJWWHB	53
LD15L	37	MBK40LH	104	MPR45	90	ORXO50	78
LD15R	37	MBK45FD	104	MPR45R	94	ORXO50D	78
LD15SB	37	MBK45LF	104	MPR45S	94	ORXOF50	77
LD15SSB	37	MBP34	102	MPR50S	94	ORXOF50D	77
LD190	98	MBP34B	102	MPS40R	94	ORXOF50R	77
LD190S	98	MBP50G	85	MPS40S	94	ORXOLL	78
LDA70	43	MBP50Z	85	MPS45R	94	ORXOLP	78
LDA70B	43	MBP90L	92	MPS45S	94	ORXOYHR	78
LDA725	43	MBP90R	92	MRUB2G	72	P PBB32	147
LDM70	43	MCC34	86	MRUB3G	72	PBC50B	4
LDM70B	43	MCC34B	86	MRUB4G	72	PBC50D	4
LDM725	43	MGP13B	108	MS189	147	PBP35	102
LDN90	42	MGP13W	108	MS32	101	PBP35B	102
LDN90B	42	MGP14B	108	MS35	101	PCC15	144
LDR70	43	MGP14W	108	MS70	24	PCC15B	144
LDR70B	43	MGS4F10B	107	MS70B	24	PCC25	144
LDR725	43	MGS4F10CP	107	MSK1	86	PCC50B	4

PHB7	17
PL80	8
PL80B	8
PLS80	8
PLS80B	8
PP70	23
PP70B	23
PSW10	63
PSW6	63
PSW8	63
PVC50D	4
PW10	63
R RA45	122
RA45G	122
RAI45	122
RAI45G	122
RAR2285B	44
RBP50Z	85
RC75B	8
RH12	102
RJW1C	55
RJW1SU	55
RJW2C	55
RJWEH	56
RJWKA30	56
RJWKF35	56
RJWKR35	56
RL50	81
RR2285	44
RR2285B	44
RR4373	44
RR4373B	44
RRA24B	120
RRA24G	120
RRAH45	120
RRGN	120
RRNB60	120
RRS2TBLH	119
RRS2TBRH	119
RRS2TGLH	119
RRS2TGRH	119
RRS3TBLH	119
RRS3TBRH	119
RRS3TGLH	119
RRS3TGRH	119
RRS4TBLH	119
RRS4TBRH	119
RRS4TGLH	119
RRS4TGRH	119
RRS4TOBLH	119
RRS4TOBRH	119
RRS4TOGLH	119
RRS4TOGRH	119
RRSB60	120
RRSH60	120
RSEE517	124
RSEE517G	124
RSEE617	124

RSEE717	124
RSEE717G	124
RSEE817	124
RSEE817G	124
RSEE917	124
RSEE917G	124
RSFH60	124
RSH45	126
RSRH60	124
RSSP64	124
RSSP64G	124
RST1045B	9
RTD2535B	9
RTD5080B	9
RTDS2535B	9
RTDS4080B	9
S SAX3910	116
SAX3912	116
SAX398	116
SAX399	116
SAX4010	116
SAX4012	116
SAX409	116
SAX4510	116
SAX4512	116
SAX459	116
SAX459P	116
SAX5010	116
SB12	126
SB12B	126
SB58	126
SB58B	126
SB70	23
SB8D	14
SB916	126
SB916B	126
SBP34	102
SBP34B	102
SCL2	66
SCL8	66
SDM16	13
SDM25	13
SDP25	13
SEE516	121
SEE516G	121
SEE616	121
SEE616G	121
SEEO516	121
SEEO616	121
SF56B	71
SF6575B	71
SH150	98
SHF45	122
SHFD45	122
SHK45GB	126
SHR45	122
SIP7	33
SKB70	24

SL702	24
SL70K	24
SLD106	40
SLD10L	40
SLD10MSB	40
SLD10R	40
SLD10SB	40
SLD159	39
SLD15L	39
SLD15MSB	39
SLD15R	39
SLD15SB	39
SN12	103
SN716	103
SN916	103
SP45	117
SP45G	117
SP45GB	117
SP58	126
SP58B	126
SP58G	126
SP58GB	126
SP64	122
SP64G	122
SP70	23
SP75	122
SP75G	122
SP9048	47
SP916	126
SP916B	126
SP916G	126
SP916GB	126
SP95	117
SP95G	117
SPC50D	7
SPW6B	72
SS313	125
SS313G	125
SS413	125
SS413G	125
SS513	125
SS513G	125
SS545B	71
SS613	125
SS613G	125
SS713	125
SS713G	125
SS913	125
SS913G	125
SSS16612	89
ST12	103
ST12B	103
ST716	103
ST716B	103
ST916	103
SW10	63
SW10-RJW	56
SW10B	62

SW13HTFG	105
SW13HTFG-165	105
SW13W	105
SW14FB	105
SW14FW	105
SW14FW-195	105
SW14HTFG	105
SW14LW	105
SW15LOB	105
SW15LOG	105
SW15LOW	105
SW16LOB	105
SW8	63
SW8N	63
SWB210G	106
SWC46D	106
T T24LDUB	29
T24SLD	30
TA24LDURL	30
TA24LDUSL	30
TB153L	33
TB153L	33
TB15F	34
TB15FL	34
TB178C	3
TB1853L	33
TB1853L	33
TB185F	34
TB185FL	34
TB3562C	3
TB3562CB	3
TB3562Z	3
TB35BB	3
TB35C	3
TB35CB	3
TB35HR1	3
TB4570	3
TB501	3
TB505	3
TB5080C	3
TB50HR1	3
TB670	3
TB750T	66
TB750TB	66
TB770	3
TBF3562C	3
TBH160	6
TBH160D	6
TBH190	6
TBH190D	6
TBH280	6
TBH280D	6
TBHA30	6
TBHA30D	6
TBS41B	9
TE1105	48
TE1106	48
TE1205	48

TE1508	48
TE4116	48
TE4126	48
TE4226	48
TE4416	48
TE4426	48
TE4814	48
TE4825	48
TE4914	48
TE4925	48
TE5002	48
TGAB19	127
TGAB19B	127
TGAB70	127
TGAW19	127
TGAW19B	127
TGC60B	127
TGC60L	127
TGC60R	127
TGH100	127
TGH100B	127
TGH100G	127
TGH50	127
TH150	98
TH150G	98
TH150GD	98
TH150L	98
TK160C	5
TK190C	5
TL120Z	76
TL984A	41
TL984B	41
TLL984	41
TLL984B	41
TMCL8	66
TP11	7
TPB11	7
TPF400	30
TPL400	30
TPS400	30
TRF35	106
TRH32	106
TRH45	122
TRKA45	123
TRKB45	123
U UB2	62
UB23G	72
UB24G	72
UB2B	62
UB2G	62
UB3	62
UB32B	62
UB33	62
UB33B	62
UB33G	62
UB33G	72
UB39	118
UB39G	118

UB39SG	118
UB3B	62
UB3G	62
UB4	62
UB40	118
UB40G	118
UB40GB	118
UB44G	72
UB45	118
UB4515	118
UB4515G	118
UB45G	118
UB45GB	118
UB4B	62
UB4G	62
UB5	62
UB5015	118
UB5015G	118
UB6	62
UCK5700	53
UCK5700B	53
V VD103FD	96
VD103FDA	96
VD10LB	96
VD10S35	96
VD10SB	96
VD123LD	96
VD12LB	96
VD12LJB	96
VD12S48	96
VD12SB	96
VD12SJB	96
VDR12HTG	99
W W115125W	70
W273C	70
W273W	70
W654W	70
W905W	70
WH210B	71
WLJ300D	76
WPC100	71
WPC25	48
WPC25B	48
WPC50	71
WPC75	71
WXO45S	108
WXO90S	109
X XOCBPV4	84
XODDS650	67
XODDS650B	67
XODDS650BD	67
XODDS650D	67
XODDS850	67
XODDS850B	67
XODDS850BD	67
XODDS850D	67
XOEBP10L	91
XOEBP10R	91

XOEBP12R	91
XOGBK500	54
XOGBK750	54
XOHDBS10	91
XOHDBS12	91
XOMAG10L	91
XOMAG10R	91
XOMAG12L	91
XOMAG12R	91
XOTPDH504	137



